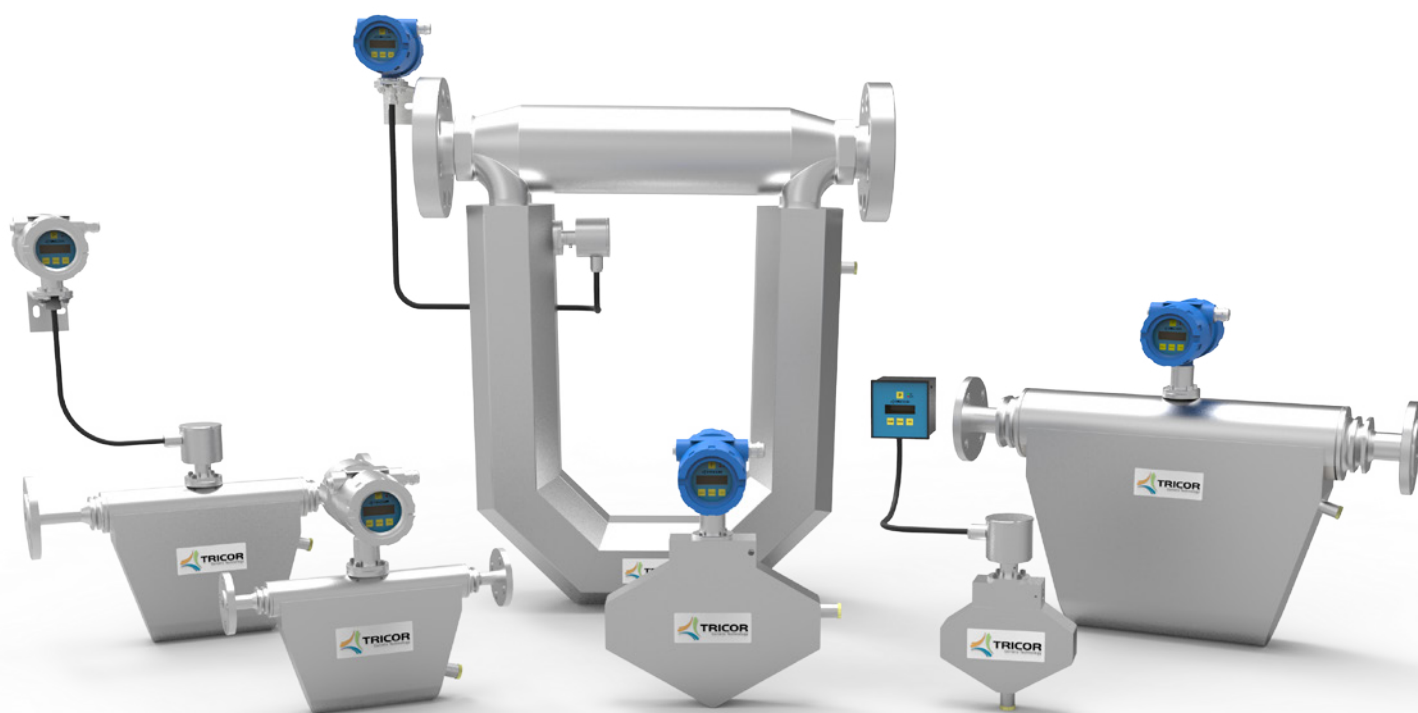


# TRICOR Series TCM Coriolis Mass Flow Meters

## Technical Datasheet



**MICROWATT**  
Making Safety Work

Tollfree in Western Canada: 1-888-388-1592  
microwatt.com • mwsales@microwatt.com

SALES • SERVICE • SUPPORT

# TRICOR - Coriolis Mass Flow Meters

## Description

The TRICOR Coriolis Mass Flow Meters from TASI Flow are absolutely reliable and robust sensors in a variety of processes, performing multiple measurements simultaneously with customizable process parameters and multiple communication languages. The TRICOR production team mechanically balances every meter, assuring the dual tubes are dynamically aligned and in perfect balance before flow begins. The unique design and cutting edge manufacturing procedures ensure a meter with the highest resistance to external influences.

### Features

- All-in-one instrument: direct measurement of mass flow, density and temperature, calculated measurement of volumetric flow
- No moving parts: low maintenance, no need for recalibration
- Easy to install: no straight run of pipe required and multiple mounting options available
- Mechanically balanced tubes and superior mechanical design for best-in-class density measurement
- Exceptional mechanical design resists external interference
- API gravity reading in software
- Exceptional ease of use and fast setup time: we will pre-program your process parameters
- Frequency output up to 10,000 Hz resolution
- Superior meter calibration: DAkkS-Accreditation as per DIN EN ISO/IEC 17025:2005
- Easily accessible, integrated meter diagnostics to verify meter health & performance
- Hazardous area certifications: ATEX, IECEx, cCSAus, EAC (TR-CU)
- Customized process connections available

### Additional Options

- Net Oil software
- High pressure designs available up to 345 bar/5,000 psi
- Special calibrations for an oil viscosity up to 100 mm<sup>2</sup>/s
- Integrated pressure compensation
- Customizable installation length
- Extended warranty

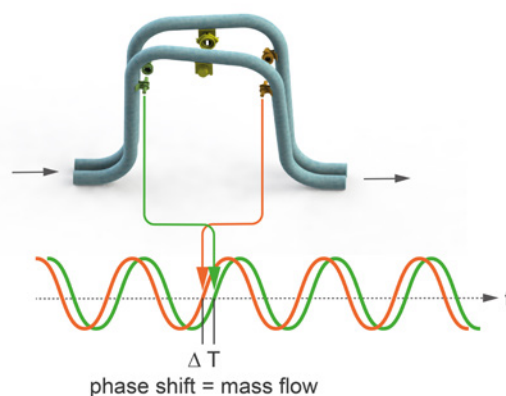
## Principle of operation

Coriolis Mass Flow Meters (TCM) operate with two parallel tubes with coils that cause them to oscillate at their resonance frequency. Should a measurement flow enter the measuring tube, Coriolis forces are the result. Coriolis forces appear in oscillating systems when a mass moves towards or away from a rotational axis. These forces act on the inlet and outlet side in the opposite direction and minimally deform the measuring tubes. The deflection of the measurement tubes is captured by sensors on the inflow and outflow side. These two sensors measure a phase shift that is proportional to the mass flow.

The resonance frequency of the tubes varies depending on the density of the medium to be measured. This effect is used to measure the density of the medium.

Since the elastic properties of the flow tubes depend on the temperature, a temperature measurement is carried out for compensation.

The primary characteristics such as mass flow rate, density and temperature are measured with a single flow meter. The volume flow can be determined based on the mass flow rate and density.

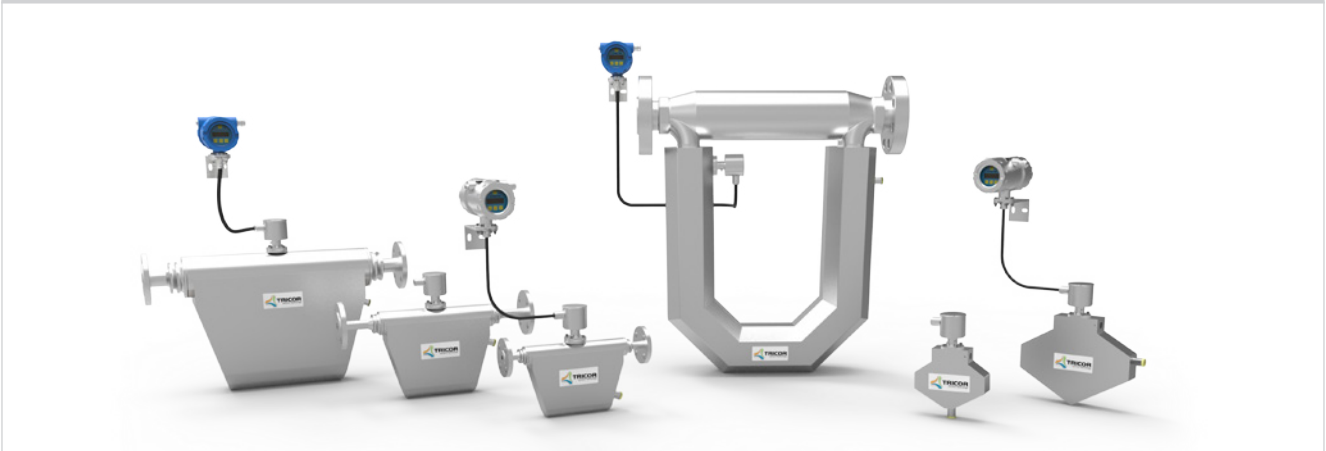


## Product Overview

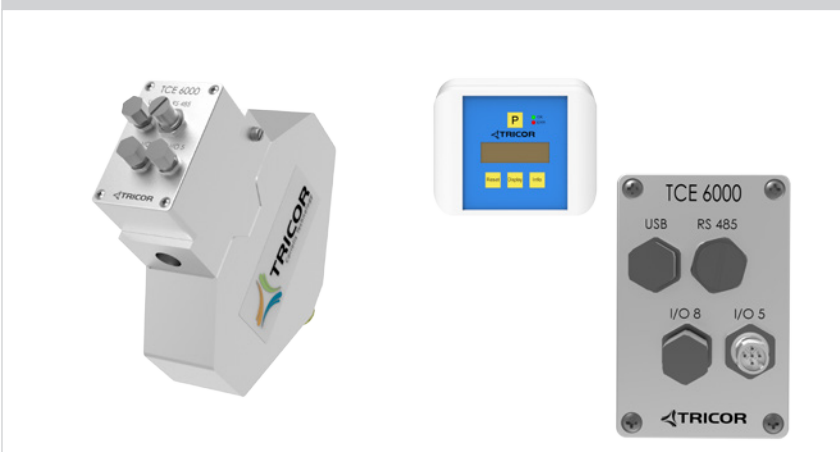
Compact version



Exd housing: Wall mounted (remote version)



Version with TCE 6000 (including options)



Housing: Panel mounted (remote version)



# TRICOR - Coriolis Mass Flow Meters

## TCM Transducer - Technical Data for Liquids

	TCM 0325	TCM 0650	TCM 1550	TCM 3100	TCM 5500	TCM 7900	TCM 028K	TCM 065K	TCM 230K	
Max. Flow Rate (kg/h)	325	650	1,550	3,100	5,500	7,900	28,000	65,000	230,000	
Max. Flow Rate (lb/min)	12	24	57	114	202	290	1,029	2,388	8,450	
Basic Accuracy (% o.r.)	±0.1									
Zero Stability (% f.s.)	±0.01									
Repeatability (% o.r.)	±0.05									
Density Measuring Range	0 - 2,500 kg/m <sup>3</sup> , 2.5 g/cm <sup>3</sup> (higher ranges on request)									
Density Accuracy	±1.0 kg/m <sup>3</sup> , ±0.001 g/cm <sup>3</sup> (special calibration on request)									
Density Repeatability	±0.5 kg/m <sup>3</sup> , ±0.0005 g/cm <sup>3</sup>									
Temperature Accuracy	±1.8 °F ±0.5 % of reading (±1 °C ±0.5 % of reading)									
Temperature Repeatability	±0.36 °F (±0.2 °C)									
<b>Process and Ambient</b>										
Process Connections	female thread 1/2" adaptors for flanges, dairy and tri-clamp				flanges EN1092, ANSI B16.5, DIN2512, threaded tri-clamp					
Max. Pressure Standard (Option)	200 bar/2,900 psi (345 bar/5,000 psi)					100 bar/1,450 psi				
Pressure Drop at Max. Flow	for detail information please contact us									
Process Temperature (non Ex)	-40 °F ... +212 °F (-40 °C ... +100 °C) (standard) -40 °F ... +302 °F (-40 °C ... +150 °C) (optional) -76 °F ... +392 °F (-60 °C ... +200 °C) (optional)									
Process Temperature (Ex)	meter mount	-40 °F ... +158 °F (-40 °C ... +70 °C) (T4)							n/a	
	remote version	-40 °F ... +158 °F (-40 °C ... +70 °C) (T4) -40 °F ... +275 °F (-40 °C ... +135 °C) (T3) -76 °F ... +392 °F (-60 °C ... +200 °C) (T2)								
Ambient Temperature	-40 °F ... +158 °F (-40 °C ... +70 °C)									
Storage Temperature	-40 °F ... +212 °F (-40 °C ... +100 °C)									
Electr. Connections Remote	screw type terminals									
Electr. Connections Meter Mount	none (internally connected to the electronics)									
Ingress Protection	IP65 (IP66/IP67 on request)									
<b>General</b>										
Tube Arrangement	2 serial	2 parallel	2 serial	2 parallel	2 parallel	2 parallel	2 parallel	2 parallel	2 parallel	
Tube Inner Diameter	4 mm	4 mm	8 mm	8 mm	7 mm	9 mm	16 mm	28 mm	43 mm	
Tube Material	1.4404/AISI 316L									
Housing Material	1.4404/AISI 316L									
Dimensions	see drawings									

### Calibration for Liquids and Gases:

The TRICOR flowmeters are always factory calibrated with water.

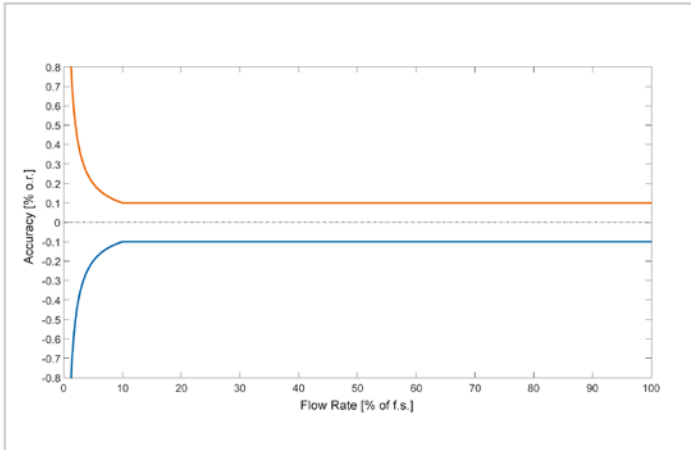
Calibration Conditions: Water : 68 °F ... 77 °F (20 °C ... 25 °C), ambient temperature : 68 °F ... 77 °F (20 °C ... 25 °C).

All specifications are based on above mentioned calibration reference conditions, a flow calibration protocol is attached to each instrument.

Stated accuracy combines the effects of repeatability, linearity and hysteresis.

Typical flow dynamics based on max. flow rate is 100:1.

## Accuracy for Liquids



Flow Rate of full Scale	Accuracy
$\geq \frac{\text{Zero Point}}{\text{Basic Accuracy}} * 100$	$\pm \text{Basic Accuracy}$
$< \frac{\text{Zero Point}}{\text{Basic Accuracy}} * 100$	$\pm \frac{\text{Zero Point}}{\text{Measured Value}} * 100$

Example for a TCM 0325:

$325 \text{ kg/h} * \text{ZeroPoint} (0.01 \%) = 0.0325 \text{ kg/h}$        $12 \text{ lb/min} * 0.01 \% = 0.0012 \text{ lb/min}$   
 $325 \text{ kg/h} * \text{Basic Accuracy} (0.1 \%) = 0.325 \text{ kg/h}$        $12 \text{ lb/min} * 0.1 \% = 0.012 \text{ lb/min}$   
 Result:  $(0.0325 / 0.325) * 100 = 10 \%$  (32.5 kg/h)       $(0.0012 / 0.012) * 100 = 10 \%$  (1.2 lb/min)

All flow rates  $\geq 10 \%$  or 32.5 kg/h (1.2 lb/min): Measured error = Basic Accuracy  
 All flow rates  $< 10 \%$  or 32.5 kg/h (1.2 lb/min): Measured error =  $(\text{Zero Point} / \text{Measured Value}) * 100$

# TRICOR - Coriolis Mass Flow Meters

## TCM Transducer - Technical Data for Gases

	TCM 0325	TCM 0650	TCM 1550	TCM 3100	TCM 5500	TCM 7900	TCM 028K	TCM 065K	TCM 230K	
Nom. Flow Rate (kg/h) <sup>1)3)</sup>	78	177	333	740	910	1,430	5,100	15,650	48,900	
Nom. Flow Rate (lb/min) <sup>1)3)</sup>	3	7	12	27	34	53	188	575	1,797	
Nom. Flow Rate (Nm <sup>3</sup> /h) <sup>1)2)</sup>	109	247	464	1,031	1,268	1,993	7,109	21,813	68,157	
Nom. Flow Rate (SCFM) <sup>1)2)</sup>	64	146	273	607	747	1,173	4,184	12,838	40,115	
Basic Accuracy (% o.r.)	±0.5									
Zero Stability in kg/h (lb/min)	0.0325 (0.0012)	0.065 (0.0024)	0.155 (0.0057)	0.31 (0.0114)	0.55 (0.020)	0.79 (0.029)	2.8 (0.103)	6.5 (0.239)	23 (0.845)	
Repeatability (% o.r.)	±0.25									
Density Measuring Range	see comment <sup>3)</sup>									
Density Accuracy	±2.0 kg/m <sup>3</sup> , ±0.002 g/cm <sup>3</sup> (special calibration on request)									
Density Repeatability	±1 kg/m <sup>3</sup> , ±0.001 g/cm <sup>3</sup>									
Temperature Accuracy	±1.8 °F ±0.5 % of reading (±1 °C ±0.5 % of reading)									
Temperature Repeatability	±0.36 °F (±0.2 °C)									
<b>Process and Ambient</b>										
Process Connections	female thread 1/2" adaptors for flanges, dairy and tri-clamp				flanges EN1092, ANSI B16.5, DIN2512, threaded tri-clamp					
Max. Pressure Standard (Option)	200 bar/2,900 psi (345 bar/5,000 psi)				100 bar/1,450 psi					
Pressure Drop at Max. Flow	for detail information please contact us									
Process Temperature (non Ex)	-40 °F ... +212 °F (-40 °C ... +100 °C) (standard) -40 °F ... +302 °F (-40 °C ... +150 °C) (optional) -76 °F ... +392 °F (-60 °C ... +200 °C) (optional)									
Process Temperature (Ex)	meter mount	-40 °F ... +158 °F (-40 °C ... +70 °C) (T4)							n/a	
	remote version	-40 °F ... +158 °F (-40 °C ... +70 °C) (T4) -40 °F ... +275 °F (-40 °C ... +135 °C) (T3) -76 °F ... +392 °F (-60 °C ... +200 °C) (T2)								
Ambient Temperature	-40 °F ... +158 °F (-40 °C ... +70 °C)									
Storage Temperature	-40 °F ... +212 °F (-40 °C ... +100 °C)									
Electr. Connections Remote	screw type terminals									
Electr. Connections Meter Mount	none (internally connected to the electronics)									
Ingress Protection	IP65 (IP66/IP67 on request)									
<b>General</b>										
Tube Arrangement	2 serial	2 parallel	2 serial	2 parallel	2 parallel	2 parallel	2 parallel	2 parallel	2 parallel	
Tube Inner Diameter	4 mm	4 mm	8 mm	8 mm	7 mm	9 mm	16 mm	28 mm	43 mm	
Tube Material	1.4404/AISI 316L									
Housing Material	1.4404/AISI 316L									
Dimensions	see drawings									

Max. allowed flow velocity (Ma 0.5).

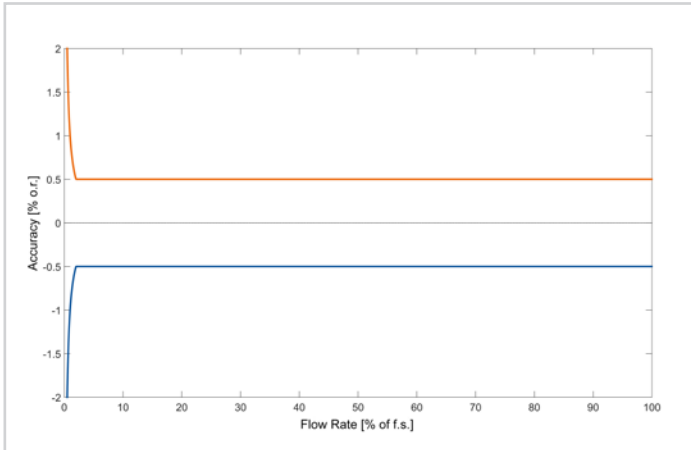
For gas applications, flow rate and pressure drop for individual sensor sizes are dependent on operating temperature, pressure and fluid composition. Therefore, when selecting a sensor for any particular gas application, please use the the TSP (TRICOR Sizing Program) or contact us.

<sup>1)</sup> Nominal flow rates that produce approximately 3 bar (43 psi) pressure drop for natural gas at 50 bar (725 psi) operational pressure.

<sup>2)</sup> Normal reference conditions (Nm<sup>3</sup>/h) are 1,013 bar und 0 °C. Standard (SCFM) reference conditions are 14.7 psi und 60 °F.

<sup>3)</sup> Flow rate and density range depend on the gas density and the pressure range.

## Accuracy for Gases



Flow Rate of full Scale	Accuracy
$\geq \frac{\text{Zero Point}}{\text{Basic Accuracy}} * 100$	$\pm \text{Basic Accuracy}$
$< \frac{\text{Zero Point}}{\text{Basic Accuracy}} * 100$	$\pm \frac{\text{Zero Point}}{\text{Measured Value}} * 100$

Analogous to calculation for liquids.

Only the basic accuracy value (% o. r.) is deviant from the calculation for liquids.

Example for a TCM 0325:

$325 \text{ kg/h} * \text{ZeroPoint} (0.01 \%) = 0.0325 \text{ kg/h}$        $12 \text{ lb/min} * 0.01 \% = 0.0012 \text{ lb/min}$   
 $325 \text{ kg/h} * \text{Basic Accuracy} (0.5 \%) = 1.625 \text{ kg/h}$        $12 \text{ lb/min} * 0.5 \% = 0.06 \text{ lb/min}$   
 Result:  $(0.0325 / 1.625) * 100 = 2 \%$  (6.5 kg/h)       $(0.0012 / 0.06) * 100 = 2 \%$  (0.24 lb/min)

All flow rates  $\geq 2 \%$  or 6.5 kg/h (0.24 lb/min): Measured error = Basic Accuracy

All flow rates  $< 2 \%$  or 6.5 kg/h (0.24 lb/min): Measured error =  $(\text{Zero Point} / \text{Measured Value}) * 100$

## Ex Certifications

ATEX (Ex)	Zone 1: Group IIC or IIB, T2...T4
ATEX (Exn)	Zone 2: II 3G Ex nA IIC T2...T4 Gc
IECEX (Ex)	Zone 1: Group IIC or IIB, T2...T4
cCSAus (Ex1) <sup>4)</sup>	Class 1, Division 1: Group A, B, C, D or C, D, T2...T4
ATEX + IECEX + cCSAus triple approval (Ex3) <sup>4) 5)</sup>	Zone 1: Group IIC or IIB, T2...T4 and Class 1, Division 1: Group A, B, C, D or C, D, T2...T4
EAC (TR-CU) <sup>4)</sup>	Group IIC or IIB, T2 ... T4

<sup>4)</sup> For Ex1, Ex3, EAC (TR-CU) the electronic is only available in aluminum housing.

<sup>5)</sup> Only with remote electronics.

# TRICOR - Coriolis Mass Flow Meters

## TCE 8000/8100 Transmitter - Technical Data

<b>General</b>	
Display	back-lit LCD screen, 132 x 32 dot
Supply Voltage	24 V DC, $\pm 20\%$ or 90 ... 264 V (version dependent)
Programming	via front keyboard or Windows-based TRICOR configurator program (MODBUS)
Interface	RS485 (MODBUS-RTU), Option HART®, Foundation Fieldbus®, other options on request
EMC	according to EN 61000-6-4 and 61000-6-2
Power Consumption	max. 6 W
<b>ExD Housing: Wall-mounted</b>	
Dimensions	see drawing
Electrical Connections	cage clamp terminals
Cable Glands	for 7-13 mm cables
Housing Material	aluminum diecast (option: 1.4404/AISI 316L)
Protection Class	IP65 (IP66/IP67 on request)
Weight	with aluminum diecast housing: 3.8 kg/8.3 lb with 3 m cable with 1.4404/AISI 316L housing: 6.15 kg/13.56 lb
Temperature	ambient: -40 °F ... +158 °F (-40 °C ... +70 °C) storage and transport: -40 °F ... +176 °F (-40 °C ... +80 °C)
<b>Housing: Panel-mounted (only TCE 8000)</b>	
Dimensions	see drawing
Electrical Connections	cage clamp terminals
Housing Material	Noryl
Protection Class	front: IP50, rear: IP30
Weight	0.4 kg/0.88 lb
Temperature	ambient: 32 °F ... +140 °F (0 °C ... +60 °C) storage and transport: -4 °F ... +158 °F (-20 °C ... +70 °C)
<b>Analog Output</b>	
Current Outputs (2x)	4 ... 20 mA passive, two-wire, isolated
Resolution	14 bit
Linearity	$\pm 0.05\%$ of full scale
Temperature Drift	0.05 % per 10 K
Load	< 620 $\Omega$ (at 24 V supply)
Output Value	programmable: flow, total, density, temperature
<b>Pulse Output</b>	
Frequency Range	0.5 - 10,000 Hz (in TOTAL mode: 0 - 100 Hz)
Output Signal	active push pull output for flow rate
<b>Status In- and Output</b>	
Status Output	push pull programmable (in FREQUENCY mode: 0.5 - 10,000 Hz)
Control Input	programmable
<b>Analog Input (option)</b>	
Input Type	4 ... 20 mA active for two-wire passive pressure sensor
Resolution	12 bit
Linearity	$\pm 0.05\%$ of full scale
Temperature Drift	0.05 % per 10 K
Supply Voltage	> 20 V (at 20 mA sensor current)



## TCE 6000 Transmitter - Technical Data

General	
Supply Voltage	24 V DC, ±20 %
Programming	via TRD 8001 or via interface
Interface	RS485, USB (option)
EMC	according to EN 61000-6-4 and EN 61000-6-2
Power Consumption	max. 4 W
Electrical Connections	connectors M12
Housing Material	aluminum diecast
Temperature	ambient: -40 °F ... +158 °F (-40 °C ... +70 °C) storage and transport: -40 °F ... +176 °F (-40 °C ... +80 °C)
Protection Class	IP65
Analog Output	
Current Output	4 ... 20 mA active
Resolution	14 bit
Linearity	±0.05 %
Temperature Drift	0.05 % per 10 K
Load	< 800 Ω
Output Value	programmable: flow, total, density, temperature
Pulse Output	
Frequency Range	0.5 - 10,000 Hz (for ESTA (OPTV receiver) 0.5 – 5,000 Hz)
Output Signal	active push pull output for flow rate, optional: insulated optical frequency output
Status In- and Output	
Status Output	push pull programmable (option) (in TOTAL mode: 0.5 - 100 Hz)
Control Input	programmable (standard: 1 input/option: 2 inputs), optional: insulated optical control input

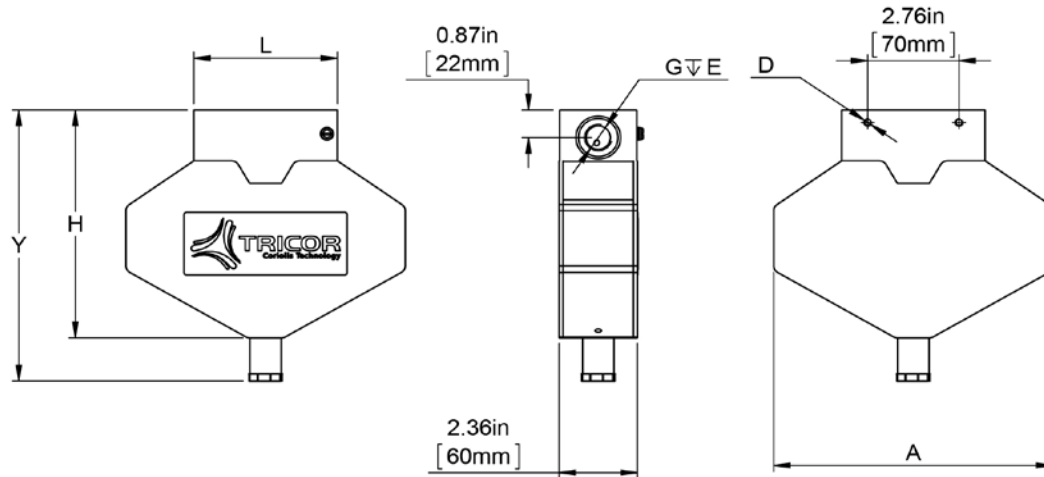
Note: For parameterization of the flow meter, the interface may be used.  
Prerequisite: Parameter setting is not allowed during active ESTA operation.

## TRD 8001 Remote Display - Technical Data

Display	back-lit LCD screen, 132 x 32 dot
Supply Voltage	via interface
Programming	via front keyboard
Interface to TCE	RS485
EMC	according to EN 61000-6-4 and 61000-6-2
Dimensions	90 x 120 x 50 mm (h x w x d)
Electrical Connections	connectors M12, B coded
Housing Material	ABS-FR (plastic, flame retardant)
Protection Class	IP64
Weight	0.4 kg/0.88 lb
Temperature	operation: 32 °F ... +140 °F (0 °C ... +60 °C) storage and transport: -4 °F ... +176 °F (-20 °C ... +80 °C)
Wall Mount	hidden screws

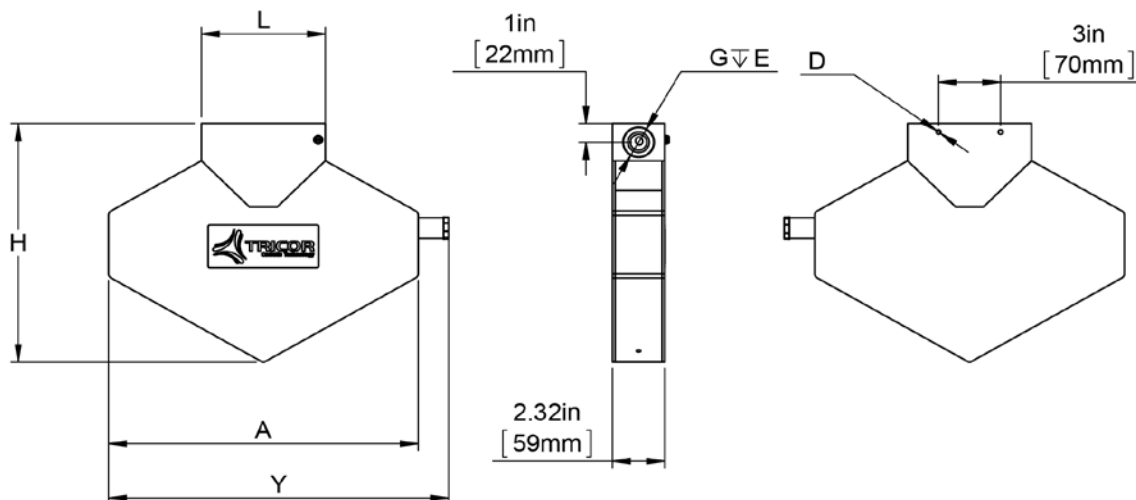
# TRICOR - Coriolis Mass Flow Meters

## TCM 0325 to TCM 0650



Sensor Type	A	D	E	G <sup>6)</sup>	H	L <sup>7)</sup>	Y
TCM 0325	8.43 in (214 mm)	M6 ∇ 10	0.59 in (15 mm)	G ½"	7.17 in (182 mm)	4.33 in (110 mm)	8.50 in (216 mm)
TCM 0650	8.43 in (214 mm)	M6 ∇ 10	0.59 in (15 mm)	G ½"	7.17 in (182 mm)	4.33 in (110 mm)	8.50 in (216 mm)

## TCM 1550 to TCM 3100

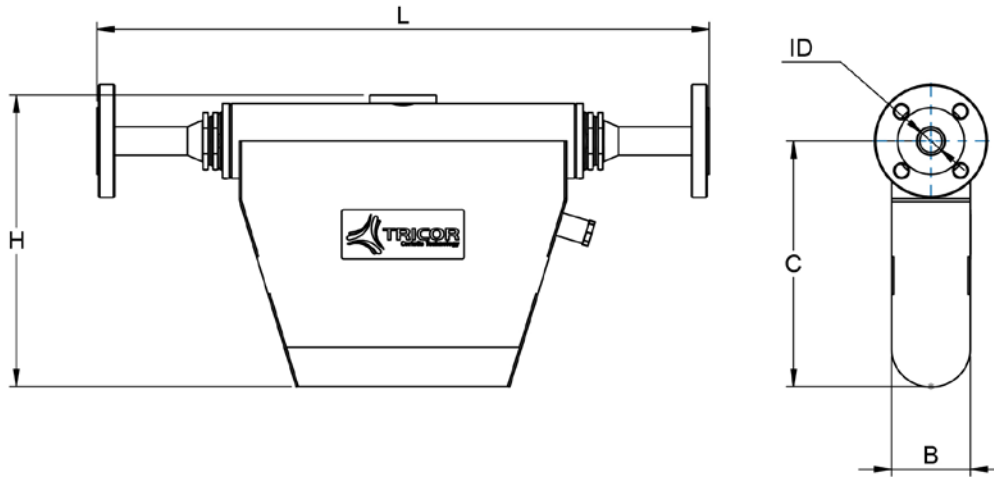


Sensor Type	A	D	E	G <sup>6)</sup>	H	L <sup>7)</sup>	Y
TCM 1550	13.78 in (350 mm)	M6 ∇ 10	0.71 in (18 mm)	G ½"	11.02 in (280 mm)	5.51 in (140 mm)	15.12 in (384 mm)
TCM 3100	13.78 in (350 mm)	M6 ∇ 10	0.71 in (18 mm)	G ½"	11.02 in (280 mm)	5.51 in (140 mm)	15.12 in (384 mm)

<sup>6)</sup> Other connections on request.

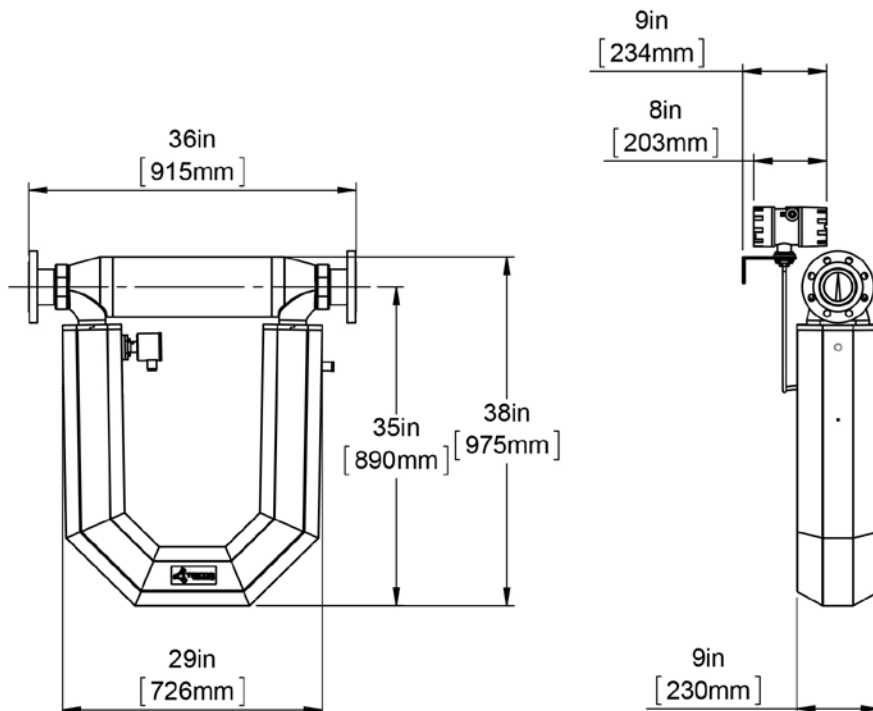
<sup>7)</sup> Further lengths on request.

## TCM 5500 to TCM 065K

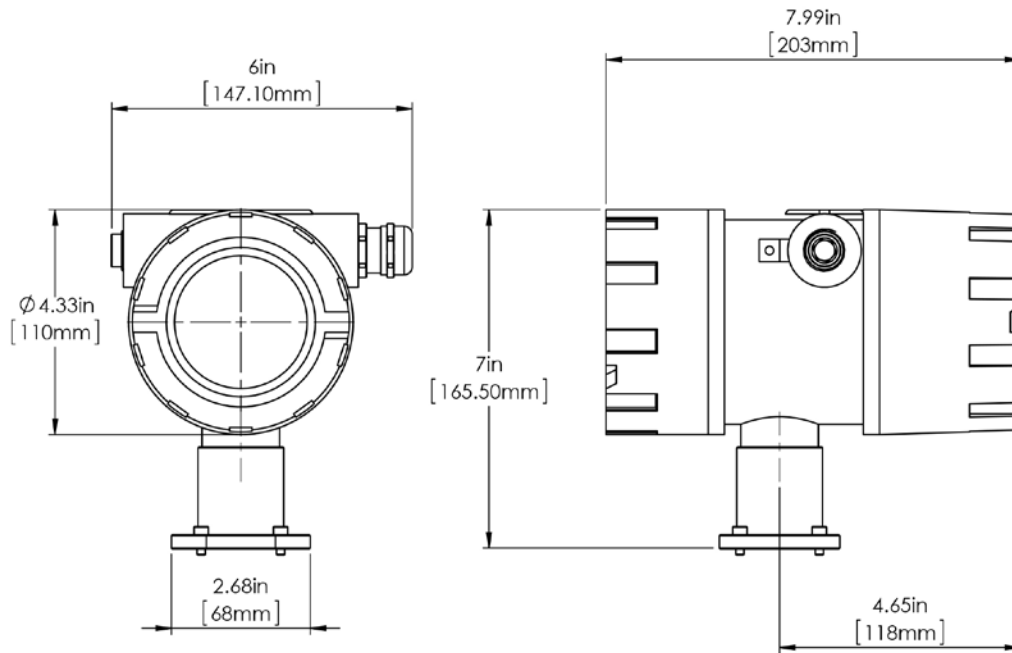


Sensor Type	B	C	H	L <sup>(6)</sup>	I.D.	Connection
TCM 5500, 7900	2.40 in (61 mm)	8.03 in (204 mm)	10.24 in (260 mm)	18.11 in (460 mm)	Ø 0.51 in (Ø 13 mm)	on request
TCM 028K	3.15 in (80 mm)	9.96 in (253 mm)	12.40 in (315 mm)	24.61 in (625 mm)	Ø 0.91 in (Ø 23 mm)	on request
TCM 065K	5.94 in (151 mm)	15.24 in (387 mm)	18.90 in (480 mm)	32.68 in (830 mm)	Ø 1.57 in (Ø 40 mm)	on request

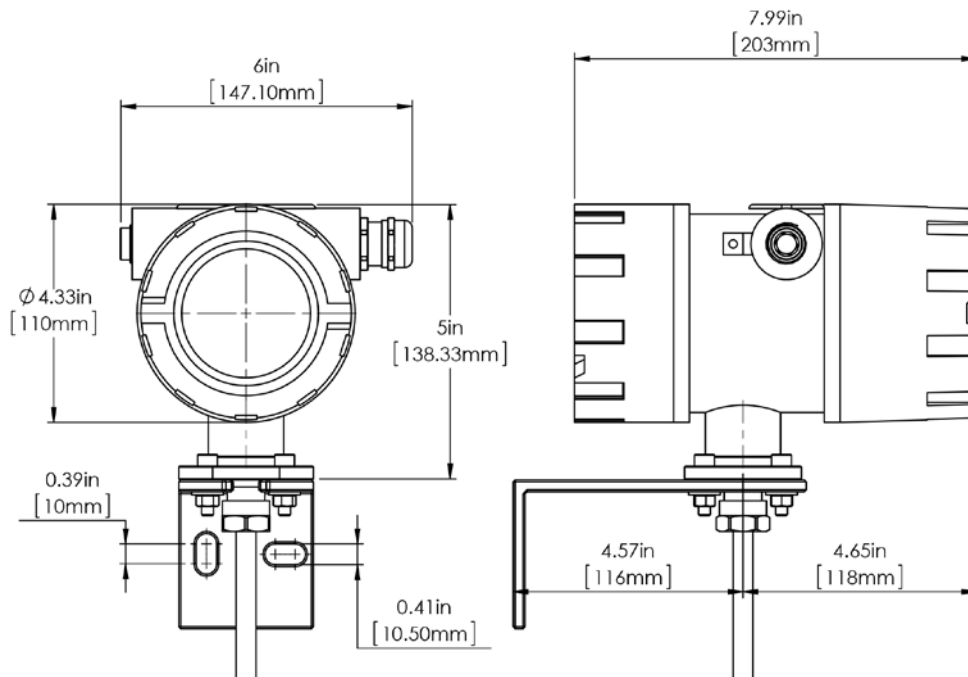
## TCM 230K



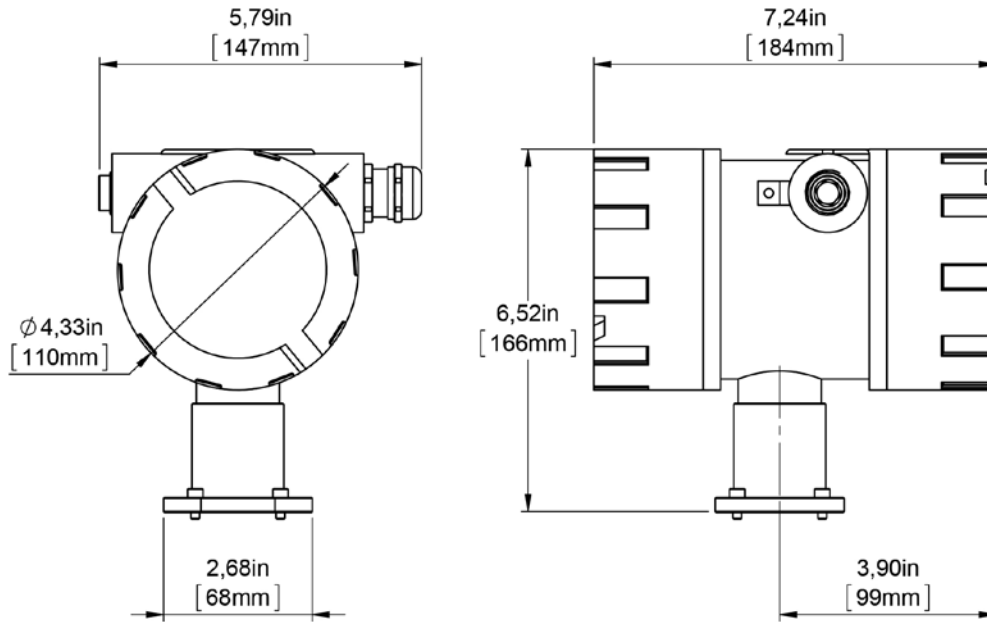
## Meter-Mount Electronics TCE 8000/8100



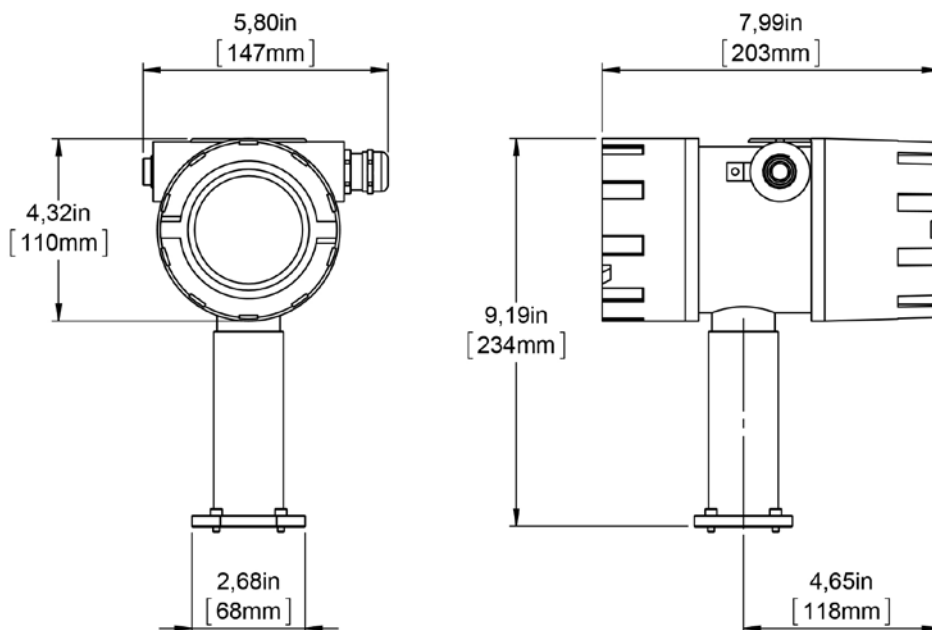
## Wall-Mount Electronics TCE 8000/8100



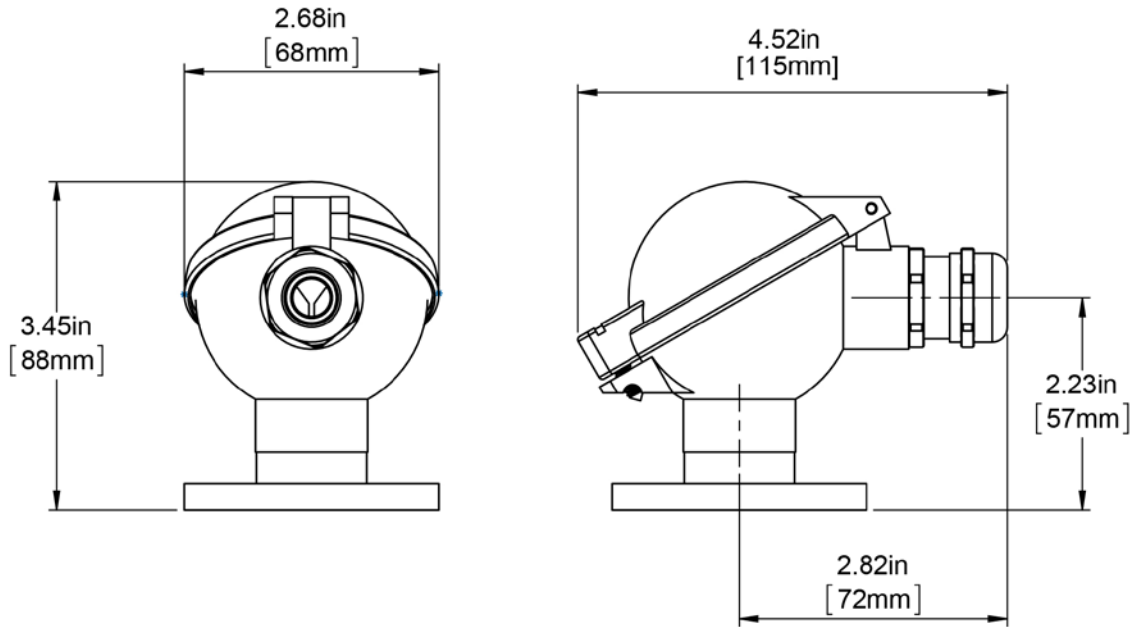
## Meter-Mount Electronics TCE 8000/8100 with blind cover



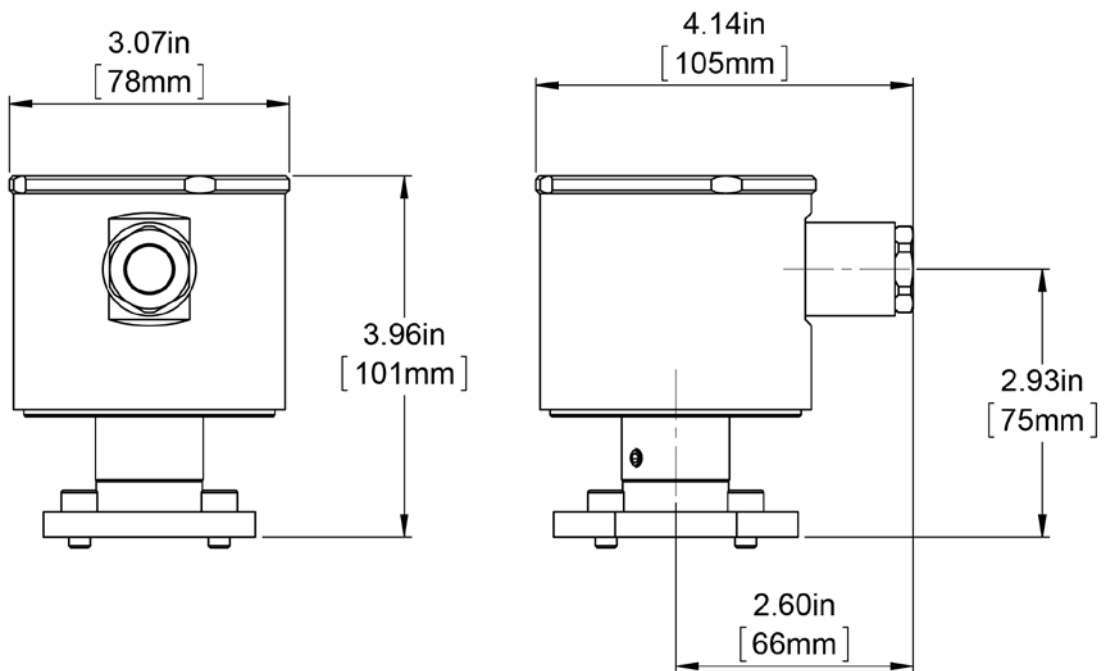
## Meter-Mount Electronics TCE 8000/8100 High Temperature



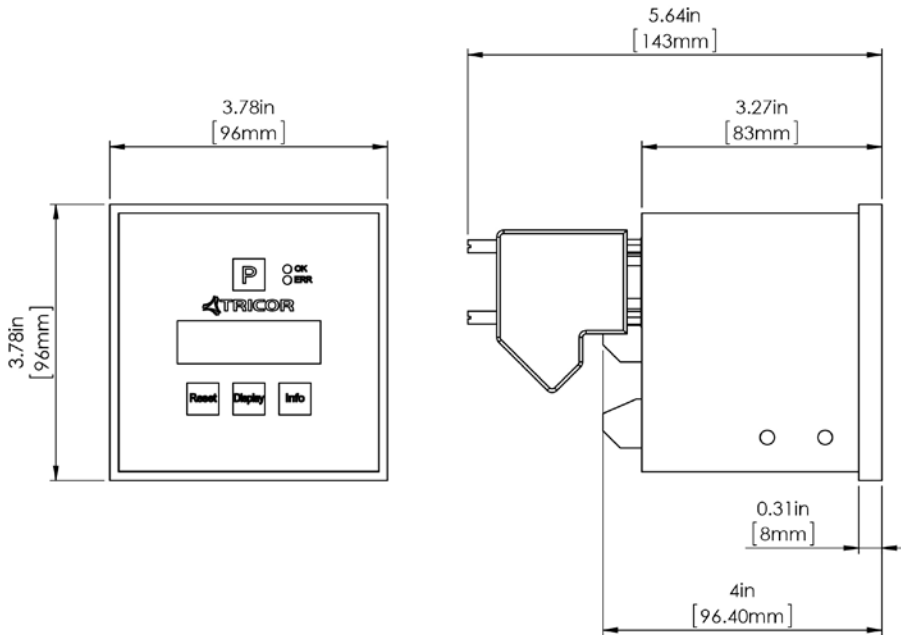
## Standard Connection Head (A)



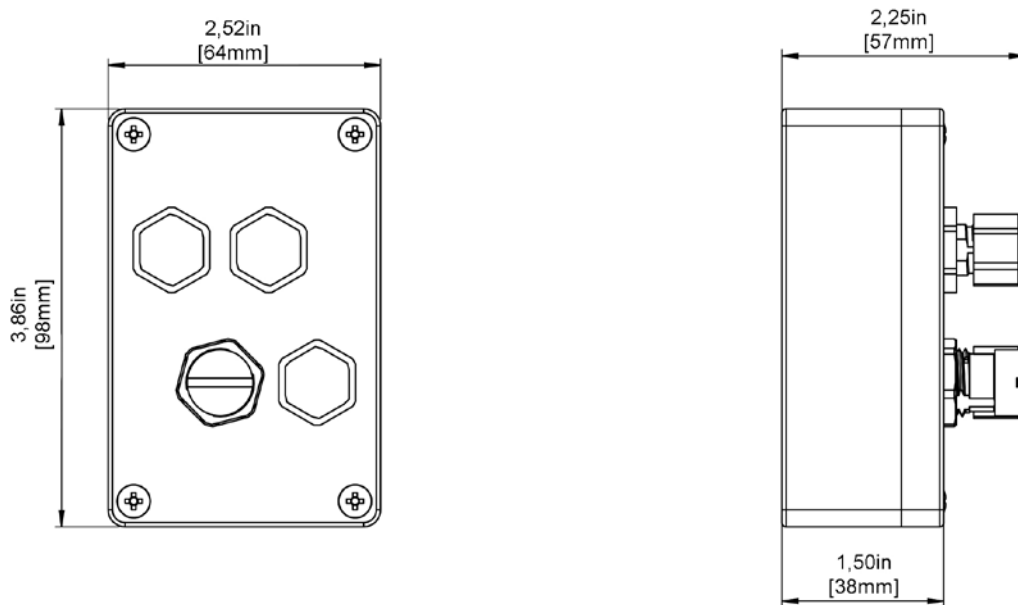
## High Temperature Connection Head (H)



## Panel-Mounted Housing

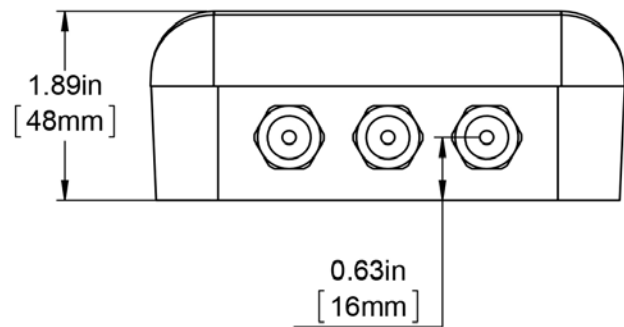
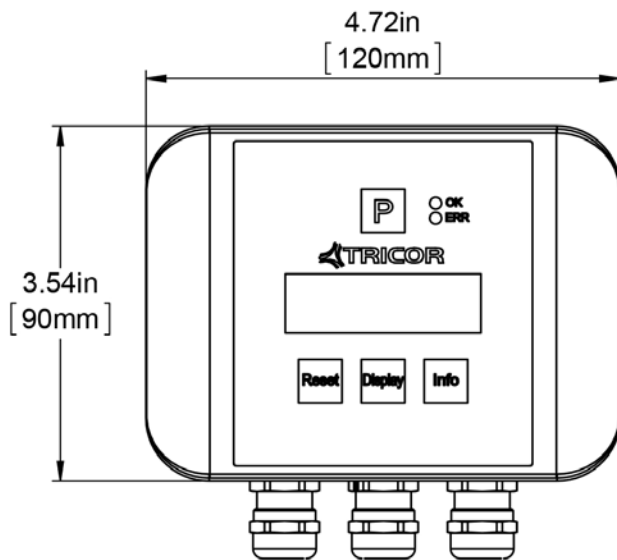


## Meter-Mount Electronics TCE 6000 (F)



# TRICOR - Coriolis Mass Flow Meters

## Remote Display TRD 8001





## Ordering Information TCM Meter (Series TRICOR)

TCM	XXXX	- XX	- X X X X	- X X X X	- Ex	- XX
<b>Process connections<sup>8)</sup></b>						
see page 17 ff		XX				
<b>Mechanical options</b>						
<b>Medium Temperature range</b>						
-40 °F...+212 °F (-40 °C...+100 °C)			S			
-40 °F...+302 °F (-40 °C...+150 °C) Ex <sub>max</sub> : 275 °F (135 °C)			H			
-40 °F...+158 °F (-40 °C...+70 °C) Ex, compact			E			
-76 °F...+392 °F (-60 °C...+200 °C)			T			
<b>Pressure range</b>						
With rupture disc max. 4 bar (58 psi)			G			
<b>Mechanical Design</b>						
Standard			S			
<b>Face to face length</b>						
Standard (other length on request)			S			
<b>Electronics options</b>						
<b>Electronics type</b>						
Junction box Alu (only for replacements)			A	Z	Z	S
Junction box 1.4404/316L			H	Z	Z	S
Meter mount electronics TCE 8000 (NPT) <sup>9)</sup>			C			
Meter mount electronics TCE 8000 (M20 x 1.5) <sup>9)</sup>			K			
Meter mount electronics TCE 8100 (NPT) <sup>9)</sup>			M			
Meter mount electronics TCE 8100 (M20 x 1.5) <sup>9)</sup>			O			
Meter mount electronics TCE 6000 <sup>10)</sup>			F			
<b>Interface<sup>11)</sup></b>						
RS485 (Modbus RTU)				S		
RS485 (Modbus RTU) and HART®				A		
RS485 (Modbus RTU) + FF (not with Ex)				B		
FF (Foundation Fieldbus®)				D		
RS485 (Modbus RTU) + USB (only TCE 6000)				F		
Not used				Z		
<b>Supply voltage</b>						
24 V DC				D		
90 ... 264 V AC				M		
Not used				Z		
<b>Options</b>						
Pressure compensation, 4 ... 20 mA input					A	
8 pin I/O connector (TCE 6000 only)					B	
Optical I/O (TCE 6000 only)					C	
No option					S	
<b>EX-protection</b>						
ATEX + IECEx Zone1: Group IIC or IIB, T2...T4						Ex
ATEX Zone 2: II 3G Ex nA IIC, T2...T4 Gc						Exn
cCSAus: Class 1, Division 1: Group A, B, C, D or C, D, T2...T4 <sup>12)</sup>						Ex1
ATEX+IECEx: Zone 1: Group IIC or IIB, T2...T4 and cCSAus: Class 1, Division 1: Group A, B, C, D or C, D, T2...T4 <sup>12) 13)</sup>						Ex3
EAC (TR-CU): Group IIC or IIB, T2 ... T4 <sup>12)</sup>						ExR
<b>Special Options</b>						
NOC (Net Oil Computer)						01

<sup>8)</sup> For connections not indicated with installation length, please contact manufacturer.

<sup>9)</sup> For TCM compact version with Ex-protection temperature class T4 only.

<sup>10)</sup> Ex-protection only available in the option Exn. TCE 6000 electronic is not applicable for TCM 230K.

<sup>11)</sup> Other interfaces on request.

<sup>12)</sup> For Ex1, Ex3, EAC (TR-CU) the electronic is only available in aluminum housing.

<sup>13)</sup> Only with remote electronics.

## Ordering Information TCE Transmitter (Series 8XXX)

TCE	8 X X X	- X	- X X X X	- XX	- XX
TCM 0325 to TCM 7900 (Alu)	8 0 0 1				
TCM 028K to TCM 065K (Alu)	8 0 1 1				
TCM 230K (Alu)	8 0 1 2				
TCM 0325 to TCM 7900 (1.4404/316L)	8 1 0 1				
TCM 028K to TCM 065K (1.4404/316L)	8 1 1 1				
TCM 230K (1.4404/316L)	8 1 1 2				
<b>Housing</b>					
Wall mount (NPT)		W			
Wall mount (M20 x 1.5)		I			
Panel mount <sup>14)</sup>		S			
Panel mount, wide for "Ex", "associated equipment" <sup>14)</sup>		L			
<b>Options</b>					
<b>Interface<sup>15)</sup></b>					
RS485 (MODBUS RTU)			S		
RS485 (MODBUS RTU) + HART <sup>®</sup>			A		
<b>Supply Voltage</b>					
24 V DC + 90 ... 264 V AC (only housing S+L)			B		
24 V DC			D		
90 ... 264 V AC (only housing W, I)			M		
<b>Electronic Options</b>					
Standard			S		
Pressure compensation, 4 ... 20 mA input			A		
<b>Cable length</b>					
3 Meters/≈ 10 ft., Standard (high temperature)				S (H)	
6 Meters/≈ 20 ft., (high temperature)				B (I)	
10 Meters/≈ 33 ft., (high temperature)				C (J)	
15 Meters/≈ 49 ft., (high temperature)				D (O)	
20 Meters/≈ 65 ft., (high temperature)				E (P)	
D-SUB Connector, (housing L+S) separate cable required				N	
<b>EX-Protection</b>					
ATEX + IECEx Zone1: Group IIC or IIB, T2...T4					Ex
ATEX Zone 2: II3G Ex nA IIC, T2...T4 Gc					Exn
cCSAus: Class 1, Division 1: Group A, B, C, D or C, D, T2...T4 <sup>16)</sup>					Ex1
ATEX+IECEX, Zone 1: Group IIC or IIB, T2...T4 and cCSAus: Class 1, Div. 1: Group A, B, C, D or C, D, T2...T4 <sup>16)</sup>					Ex3
EAC (TR-CU): Group IIC or IIB, T2 ... T4 <sup>16)</sup>					ExR
<b>Special Options</b>					
NOC (Net Oil Computer)					

01

<sup>14)</sup> Only for TCE 80XX.

<sup>15)</sup> Other interfaces on request.

<sup>16)</sup> For Ex1, Ex3, EAC (TR-CU) the electronic is only available in aluminum housing.

## Slip on, process connection dim. + facing acc. ANSI B16.5 Installation length in mm (inch)

Process connection <sup>17)</sup>	Code	TCM 0325	TCM 0650	TCM 1550	TCM 3100	TCM 5500	TCM 7900	TCM 028K	TCM 065K	TCM 230K
½" ANSI flange class 150	AA	390 (15.35)	390 (15.35)	420 (16.54)	420 (16.54)	460 (18.11)	460 (18.11)			
½" ANSI flange class 300	AB	390 (15.35)	390 (15.35)	420 (16.54)	420 (16.54)	460 (18.11)	460 (18.11)			
½" ANSI flange class 600	AC	390 (15.35)	390 (15.35)	420 (16.54)	420 (16.54)	460 (18.11)	460 (18.11)			
½" ANSI flange class 900	AD	390 (15.35)	390 (15.35)	420 (16.54)	420 (16.54)	460 (18.11)	460 (18.11)			
½" ANSI flange class 1500	BV	390 (15.35)	390 (15.35)	420 (16.54)	420 (16.54)	460 (18.11)				
½" ANSI flange class 2500	BE	390 (15.35)	390 (15.35)	420 (16.54)	420 (16.54)					
¾" ANSI flange class 150	BA	390 (15.35)	390 (15.35)	420 (16.54)	420 (16.54)	460 (18.11)	460 (18.11)			
¾" ANSI flange class 300	BB	390 (15.35)	390 (15.35)	420 (16.54)	420 (16.54)	460 (18.11)	460 (18.11)			
¾" ANSI flange class 600	BC	390 (15.35)	390 (15.35)	420 (16.54)	420 (16.54)	460 (18.11)	460 (18.11)			
¾" ANSI flange class 900	BD	390 (15.35)	390 (15.35)	420 (16.54)	420 (16.54)	460 (18.11)	460 (18.11)			
¾" ANSI flange class 1500	AI	390 (15.35)	390 (15.35)	420 (16.54)	420 (16.54)					
1" ANSI flange class 150	AE	390 (15.35)	390 (15.35)	420 (16.54)	420 (16.54)	460 (18.11)	460 (18.11)	625 (24.61)		
1" ANSI flange class 300	AF	390 (15.35)	390 (15.35)	420 (16.54)	420 (16.54)	460 (18.11)	460 (18.11)	625 (24.61)		
1" ANSI flange class 600	AG	390 (15.35)	390 (15.35)	420 (16.54)	420 (16.54)	460 (18.11)	460 (18.11)	625 (24.61)		
1" ANSI flange class 900	AH	390 (15.35)	390 (15.35)			460 (18.11)	460 (18.11)	625 (24.61)		
1" ANSI flange class 1500	AQ	390 (15.35)	390 (15.35)			460 (18.11)				
1" ANSI flange class 2500	BN	390 (15.35)	390 (15.35)							
1½" ANSI flange class 150	AJ					460 (18.11)	460 (18.11)	625 (24.61)		
1½" ANSI flange class 300	AK					460 (18.11)	460 (18.11)	625 (24.61)		
1½" ANSI flange class 600	AL					460 (18.11)	460 (18.11)	625 (24.61)		
1½" ANSI flange class 900	AM					460 (18.11)	460 (18.11)	625 (24.61)		
1½" ANSI flange class 1500	BI					460 (18.11)				

<sup>17)</sup> Connections without installation length are not possible or need manufacturer release. Please contact the manufacturer.

# TRICOR - Coriolis Mass Flow Meters

## Slip on, process connection dim. + facing acc. ANSI B16.5 Installation length in mm (inch)

Process connection <sup>17)</sup>	Code	TCM 0325	TCM 0650	TCM 1550	TCM 3100	TCM 5500	TCM 7900	TCM 028K	TCM 065K	TCM 230K
2" ANSI flange class 150	AN							625 (24.61)	830 (32.68)	
2" ANSI flange class 300	AO							625 (24.61)	830 (32.68)	
2" ANSI flange class 600	AP							625 (24.61)	830 (32.68)	
2" ANSI flange class 900	AR							625 (24.61)	830 (32.68)	
2" ANSI flange class 1500	BU								830 (32.68)	
2½" ANSI flange class 150	BT								830 (32.68)	
2½" ANSI flange class 300	BY								830 (32.68)	
2½" ANSI flange class 600	BQ								830 (32.68)	
2½" ANSI flange class 900	BW								830 (32.68)	
3" ANSI flange class 150	AS							625 (24.61)	830 (32.68)	915 (36.02)
3" ANSI flange class 300	AT								830 (32.68)	915 (36.02)
3" ANSI flange class 600	AU								830 (32.68)	915 (36.02)
3" ANSI flange class 900	AV								830 (32.68)	915 (36.02)
4" ANSI flange class 150	AW								830 (32.68)	915 (36.02)
4" ANSI flange class 300	AX								830 (32.68)	915 (36.02)
4" ANSI flange class 600	AY								830 (32.68)	915 (36.02)
4" ANSI flange class 900	AZ								830 (32.68)	915 (36.02)
5" ANSI flange class 150	BF									915 (36.02)
5" ANSI flange class 300	BG									915 (36.02)
5" ANSI flange class 600	BH									915 (36.02)
5" ANSI flange class 900	BJ									915 (36.02)
6" ANSI flange class 150	BM									915 (36.02)
6" ANSI flange class 600	BX									915 (36.02)

<sup>17)</sup> Connections without installation length are not possible or need manufacturer release. Please contact the manufacturer.

## Slip on, process connection dim. + facing acc. EN 1092-1 Form B Installation length in mm (inch)

Process connection <sup>17)</sup>	Code	TCM 0325	TCM 0650	TCM 1550	TCM 3100	TCM 5500	TCM 7900	TCM 028K	TCM 065K	TCM 230K
DN 10, EN flange PN 16	DY	390 (15.35)	390 (15.35)	420 (16.54)	420 (16.54)					
DN 10, EN flange PN 40	DS	390 (15.35)	390 (15.35)	420 (16.54)	420 (16.54)					
DN 10, EN flange PN 63	DZ	390 (15.35)	390 (15.35)	420 (16.54)	420 (16.54)					
DN 10, EN flange PN 100	EA	390 (15.35)	390 (15.35)	420 (16.54)	420 (16.54)					
DN 10, EN flange PN 160	EB	390 (15.35)	390 (15.35)	420 (16.54)	420 (16.54)					
DN 10, EN flange PN 250	EC	390 (15.35)	390 (15.35)	420 (16.54)	420 (16.54)					
DN 10, EN flange PN 400	ED	390 (15.35)	390 (15.35)	420 (16.54)	420 (16.54)					
DN 15, EN flange PN 16	EE	390 (15.35)	390 (15.35)	420 (16.54)	420 (16.54)	460 (18.11)	460 (18.11)			
DN 15, EN flange PN 40	DA	390 (15.35)	390 (15.35)	420 (16.54)	420 (16.54)	460 (18.11)	460 (18.11)			
DN 15, EN flange PN 63	EF	390 (15.35)	390 (15.35)	420 (16.54)	420 (16.54)	460 (18.11)	460 (18.11)			
DN 15, EN flange PN 100	DB	390 (15.35)	390 (15.35)	420 (16.54)	420 (16.54)	460 (18.11)	460 (18.11)			
DN 15, EN flange PN 160	EG	390 (15.35)	390 (15.35)	420 (16.54)	420 (16.54)	460 (18.11)				
DN 15, EN flange PN 250	EH	390 (15.35)	390 (15.35)	420 (16.54)	420 (16.54)	460 (18.11)				
DN 15, EN flange PN 400	EI	390 (15.35)	390 (15.35)	420 (16.54)	420 (16.54)	460 (18.11)				
DN 20, EN flange PN 40	DT					460 (18.11)	460 (18.11)			
DN 25, EN flange PN 16	EZ	390 (15.35)	390 (15.35)	420 (16.54)	420 (16.54)	460 (18.11)	460 (18.11)	625 (24.61)		
DN 25, EN flange PN 40	DC	390 (15.35)	390 (15.35)	420 (16.54)	420 (16.54)	460 (18.11)	460 (18.11)	625 (24.61)		
DN 25, EN flange PN 63	EJ	390 (15.35)	390 (15.35)	420 (16.54)	420 (16.54)	460 (18.11)	460 (18.11)	625 (24.61)		
DN 25, EN flange PN 100	DD	390 (15.35)	390 (15.35)	420 (16.54)	420 (16.54)	460 (18.11)	460 (18.11)	625 (24.61)		
DN 25, EN flange PN 160	DW	390 (15.35)	390 (15.35)	420 (16.54)	420 (16.54)	460 (18.11)				
DN 25, EN flange PN 160 Mat.: 2.4602	DW							625 (24.61)		
DN 25, EN flange PN 250	DP	390 (15.35)	390 (15.35)	420 (16.54)	420 (16.54)	460 (18.11)				
DN 25, EN flange PN 400	DV	390 (15.35)	390 (15.35)			460 (18.11)				

<sup>17)</sup> Connections without installation length are not possible or need manufacturer release. Please contact the manufacturer.

# TRICOR - Coriolis Mass Flow Meters

## Slip on, process connection dim. + facing acc. EN 1092-1 Form B Installation length in mm (inch)

Process connection <sup>17)</sup>	Code	TCM 0325	TCM 0650	TCM 1550	TCM 3100	TCM 5500	TCM 7900	TCM 028K	TCM 065K	TCM 230K
DN 32, EN flange PN 40	DR					460 (18.11)	460 (18.11)	625 (24.61)		
DN 40, EN flange PN 16	DU					460 (18.11)	460 (18.11)	625 (24.61)		
DN 40, EN flange PN 40	DE					460 (18.11)	460 (18.11)	625 (24.61)		
DN 40, EN flange PN 63	EK					460 (18.11)	460 (18.11)	625 (24.61)		
DN 40, EN flange PN 100	DF					460 (18.11)	460 (18.11)	625 (24.61)		
DN 40, EN flange PN 160	EL					460 (18.11)				
DN 40, EN flange PN 250	EM					460 (18.11)				
DN 40, EN flange PN 400	EN					460 (18.11)				
DN 50, EN flange PN 16	EO							625 (24.61)	830 (32.68)	
DN 50, EN flange PN 40	DG							625 (24.61)	830 (32.68)	
DN 50, EN flange PN 63	EP							625 (24.61)	830 (32.68)	
DN 50, EN flange PN 100	DH							625 (24.61)	830 (32.68)	
DN 65, EN flange PN 16	EQ								830 (32.68)	
DN 65, EN flange PN 40	DQ								830 (32.68)	
DN 65, EN flange PN 63	ER								830 (32.68)	
DN 65, EN flange PN 100	ES								830 (32.68)	
DN 80, EN flange PN 16	ET								830 (32.68)	915 (36.02)
DN 80, EN flange PN 40	DJ								830 (32.68)	915 (36.02)
DN 80, EN flange PN 63	EU								830 (32.68)	915 (36.02)
DN 80, EN flange PN 100	DK								830 (32.68)	915 (36.02)

<sup>17)</sup> Connections without installation length are not possible or need manufacturer release. Please contact the manufacturer.

## Slip on, process connection dim. + facing acc. EN 1092-1 Form B Installation length in mm (inch)

Process connection <sup>17)</sup>	Code	TCM 0325	TCM 0650	TCM 1550	TCM 3100	TCM 5500	TCM 7900	TCM 028K	TCM 065K	TCM 230K
DN 100, EN flange PN 16	EV								830 (32.68)	915 (36.02)
DN 100, EN flange PN 40	DL								830 (32.68)	915 (36.02)
DN 100, EN flange PN 63	EW								830 (32.68)	915 (36.02)
DN 100, EN flange PN 100	DM								830 (32.68)	915 (36.02)
DN125, EN flange PN 16	EX									915 (36.02)
DN125, EN flange PN 40	DN									915 (36.02)
DN125, EN flange PN 63	EY									915 (36.02)
DN125, EN flange PN 100	DO									915 (36.02)
DN150, EN flange PN 16	DI									915 (36.02)
DN150, EN flange PN 40	DX									915 (36.02)

## EN flange weld neck Installation length in mm (inch)

Process connection <sup>17)</sup>	Code	TCM 0325	TCM 0650	TCM 1550	TCM 3100	TCM 5500	TCM 7900	TCM 028K	TCM 065K	TCM 230K
DN 32, PN40 DIN 2635 – 1.4404/316L Type C Face	VO					460 (18.11)	460 (18.11)	625 (24.61)		
DN 32, PN64 DIN 2636 – 1.4404/316L Type E Face	VP					460 (18.11)	460 (18.11)	625 (24.61)		
DN 32, PN100 DIN 2637 – 1.4404/316L Type E Face	VQ					460 (18.11)	460 (18.11)	625 (24.61)		

## Triclamp Installation length in mm (inch)

Process connection <sup>17)</sup>	Code	TCM 0325	TCM 0650	TCM 1550	TCM 3100	TCM 5500	TCM 7900	TCM 028K	TCM 065K	TCM 230K
½" Triclamp	TA	220 (8.66)	220 (8.66)	250 (9.84)	250 (9.84)					
DN 25 Triclamp PN 16 DIN 32676	TL	210 (8.27)	210 (8.27)	240 (9.45)	240 (9.45)	460 (18.11)	460 (18.11)	625 (24.61)		

<sup>17)</sup> Connections without installation length are not possible or need manufacturer release. Please contact the manufacturer.

# TRICOR - Coriolis Mass Flow Meters

## Female thread Installation length in mm (inch)

Process connection <sup>17)</sup>	Code	TCM 0325	TCM 0650	TCM 1550	TCM 3100	TCM 5500	TCM 7900	TCM 028K	TCM 065K	TCM 230K
¼" NPT female thread	FJ	110 (4.33)	110 (4.33)	140 (5.51)	140 (5.51)					
¾" NPT female thread	FL	110 (4.33)	110 (4.33)	140 (5.51)	140 (5.51)	460 (18.11)	460 (18.11)			
½" NPT female thread	FK	110 (4.33)	110 (4.33)	140 (5.51)	140 (5.51)	460 (18.11)	460 (18.11)			
2" NPT female thread	FQ								880 (34.65)	
¼" G, female thread	FB	110 (4.33)	110 (4.33)	140 (5.51)	140 (5.51)					
¾" G, female thread	FR	110 (4.33)	110 (4.33)	140 (5.51)	140 (5.51)					
¾" G, female thread	FC	110 (4.33)	110 (4.33)	140 (5.51)	140 (5.51)	460 (18.11)	460 (18.11)			
½" G, female thread	FA	110 (4.33)	110 (4.33)	140 (5.51)	140 (5.51)	460 (18.11)	460 (18.11)			

<sup>17)</sup> Connections without installation length are not possible or need manufacturer release. Please contact the manufacturer.



## Connection Cable for TCE 8000-S or TCE 8000-L to TCM

TCC	X	X	-	X	X
-----	---	---	---	---	---

### Lenght

3 Meter (Standard)	(≈ 10 ft.)	0	3
6 Meter	(≈ 20 ft.)	0	6
10 Meter	(≈ 33 ft.)	1	0
15 Meter	(≈ 49 ft.)	1	5
20 Meter	(≈ 66 ft.)	2	0

## Additional Accessories

### Model Code /GSD

DAkKS-Calibration (ILAC) according to DIN EN ISO/IEC 17025:2005	3.KAL-0100
CON.USB.RS: USB interface cable to RS 485 1.8 m (TRICOR configurator)	200490
IPS 9-14: IP65 Protection for TCE-80**-L	217212
IPS 9-9: IP65 Protection for TCE-80**-S	217211
HSA 96: adapter TCE-80**-S and TCE-80**-L for rail mounting	217594
TRD 8001: remote display for TCE 6000	184830
TRD-TCE-6-2: Connection cable TRD-TCE 6000, 2 m	217012
TRD-TCE-6-5: Connection cable TRD-TCE 6000, 5 m	217011
KAB-USB-TCE: USB Cable, USB to mini USB M12, 2 m, for TCE 6000	217174
KAB-RS485-TCE: RS485 to USB connector cable 1.8 m for TCE 6000; FSDS;FFDB, FSDC	219563
Inspection certificate 3.1 according to DIN 50 049 / EN 10204	3.WKZ-0100
Oxygen cleaning TCM	219269
TAG Plate (1.4404/316L)	219705
Pneumatic Power Gen. for TCE 6000 Version FSDC; 7.5W, 24 VDC, Plug M8, 3 pin, 2.5 m cable	220657
LW-LA-10 for FOP50/60 10m (5.5mm) fiber optic cable for TCE 6000 Version FSDC	LW-LA-10
OPTV-10/02 light pulse emitter and receiver, DIN - rail for TCE 6000 Version FSDC	OPTV-10/02



---

North and South America

**AW-Lake Company**

2440 W. Corporate Preserve Dr. #600

Oak Creek WI 53154, USA

P: +1 414 574 430

Singapore

**TASI Flow Southeast Asia**

Representative Office (RO) Singapore

1003 Bukit Merah Central #06-32, Singapore 159836

UEN: T15RF0080G

P: +65 6274 1130

China

**TASI Flow China**

Rm. 2429 Jin Yuan Office Building, No. 36

CN - BeiYuan Road, Beijing 100012

P: +86 10 520 037 38

Rest of the World

**KEM Küppers Elektromechanik GmbH**

Liebigstraße 5

85757 Karlsfeld, Germany

P: +49 (0)8131 59391-0