

Want to visualize this product in 3D?

- 1 Download the Augment App
- 2 Scan this image

► Model G-SND

Global Series Signaling Platform – Sounder

Federal Signal patent pending G-Series Sounders are available in explosion-proof “Ex” versions and increased safety “Ex de” wiring box versions and are certified for gas Group IIC environments.

The G-Series Sounder can be wired to perform two separate functions. A single tone can be selected via a rotary switch; once power is supplied, it will sound the selected tone. Alternatively, multiple tones can be selected remotely by choosing the appropriate combination of inputs.¹ This allows a unique sound to match a specific alarm condition or to be used to escalate an alarm condition.

The G-Series sounder can be combined with all other G-Series audible and visual products in several custom configurations. Custom configurations can be ordered directly from the factory. Optional coupling kits, which allow limited field fixturing, are available.

FEATURES

- Supports 3 operational voltages: 24VDC, 120VAC 50/60 Hz, and 230VAC 50/60 Hz
- Optional 316 stainless steel ratchet adjustable mounting U-bracket (Field installation required)
- Gain control
- Non-metallic corrosion-resistant design
- 15 Watt design
- Field customizable legend plates available²
- Two M20 entries standard on Ex d models, three M20 entries standard on Ex de models
- IP66 enclosure
- Zone 1, 21 Rated, IECEx, ATEX, Ex d IIC, Ex de IIC and Ex tb IIIC
- UL and cUL Listed for Class I, Division 2, Groups A, B, C and D; Class II, Division 2, Groups F and G; and Class III
- Optional indicator rings are available in six colors: Black, Blue, Green, Magenta, Red and Yellow

MODEL	OPERATING VOLTAGE	NOMINAL OPERATING CURRENT ³	DECIBELS ⁴	
			10'	1M
G-SND	24VDC	0.460 amps	98	108
	120/230VAC 50/60Hz	0.140/0.080 amps	98	108

UL/cUL HAZARDOUS LOCATION RATING

TEMPERATURE CODE AT 70°C

Class I, Division 2, Groups A, B, C, D	T4
Class II, Division 2, Groups F, G	T6
Class III	T6

ATEX/IECEx HAZARDOUS LOCATION RATING

TEMPERATURE CODE

AT 49°C	AT 70°C
T5 (in IIB)	T4 (in IIB)
T4 (in IIC)	T4 (in IIC)

¹ Refer to application guide for specific wiring details.

² Recommended labels: BRADY #B-855 Toughwash labels or ULINE #S-16643 weather resistant

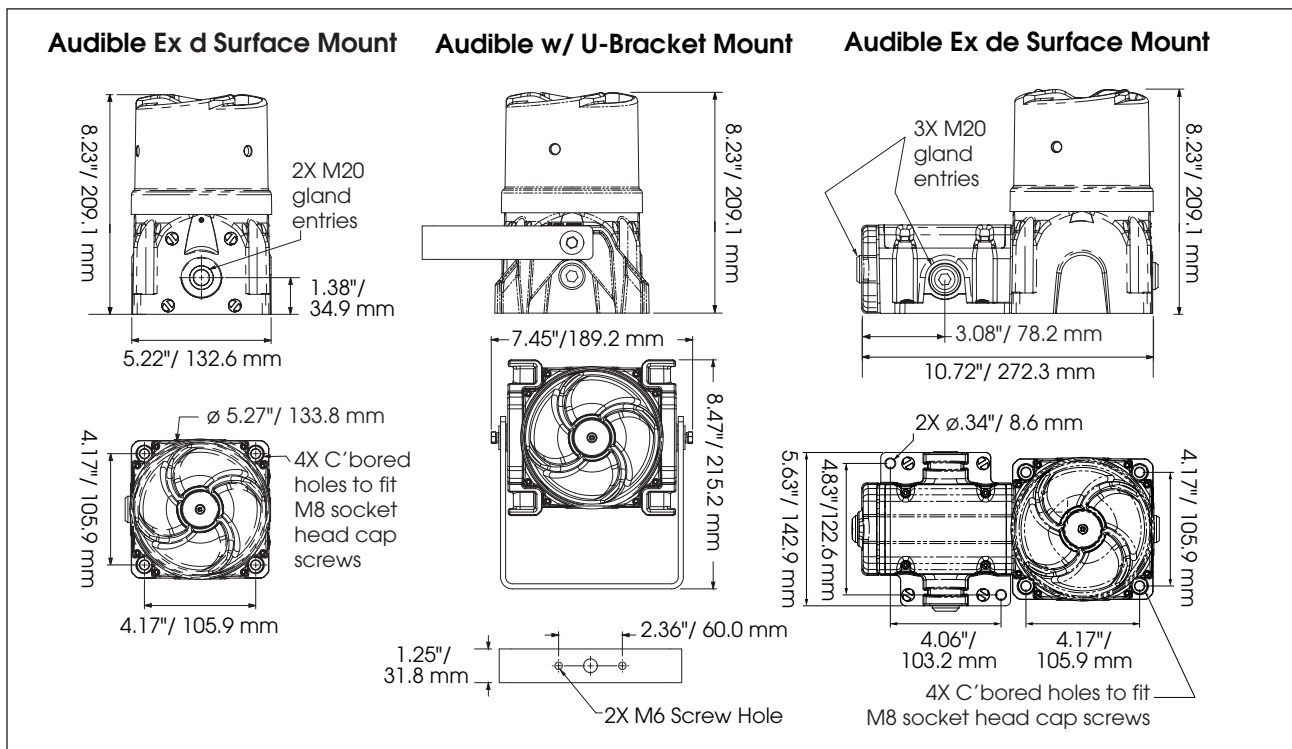
³ Operating current varies with frequency content and input power.

⁴ Measured using on-board tone 9 at nominal input voltage



THIS PRODUCT IS NOT FOR SALE, RE-SALE, DISTRIBUTION OR USE IN THE FOLLOWING COUNTRIES: BELGIUM, FRANCE, GERMANY, ITALY, NETHERLANDS, SPAIN, OR THE UNITED KINGDOM UNTIL AUGUST 2017.

Global Series Signaling Platform – Audible Device (G-SND)



SPECIFICATIONS

Operating Temperature Range:¹ -67°F to 158°F -55°C to +70°C

ATEX/IECEx Certification Marking:

Ex db IIB T5 Gb or Ex db e IIB T5 Gb
 Ex tb IIIC T100°C Db IP66
 Ex db IIC T4 Gb or Ex db e IIC T4 Gb
 Ex tb IIIC T135°C Db IP66
 ATEX: Baseefa15ATEX0155X
 IECEx: IECEx BAS 15.0104X

External Fasteners: 316 stainless steel

Terminals: Ex d: 11 way block (3 in, 3 out with 4-tone selection terminals & select line)
 Ex de: 3-pole, 4 position quad pole terminal blocks

Cable Entries: Ex d: 2 entries - M20 x 1.5
 Ex de: 3 entries - M20 x 1.5

UL and cUL Certification Marking:
 Class I, Division 2, Groups A,B,C,D T4 @ 70°C

Class II, Division 2, Groups F,G
 Class III

T6 @ 70°C
 T6 @ 70°C

UL and cUL E12629

Net Product Weight:

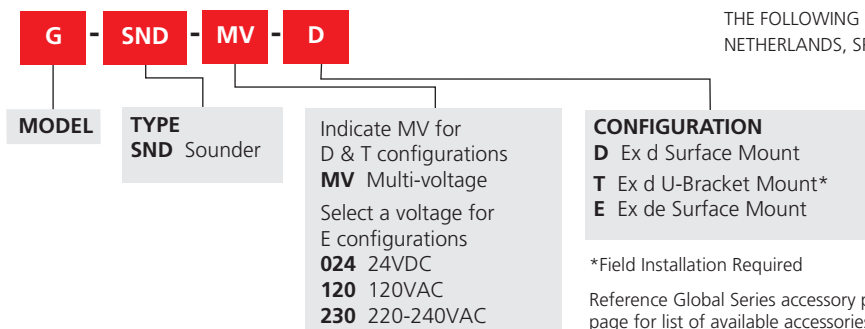
Ex d Surface Mount	9.61lbs	4.36kg
Ex d U-Bracket Mount	11.59 lbs	5.26kg
Ex de Surface Mount	12.43lbs	5.64kg

REPLACEMENT PARTS

Description	Part Number
Multi-voltage G-SND Sounder Kit (Kit includes PCBAs, bracket, driver, and mounting screw)	K859501404
e-Box Endcap with M20 Opening	K859500805-02
e-Box Endcap with M25 Opening	K859500805-01
e-Box Cover Assembly (Includes two terminal blocks, mounting plate and retention hardware)	K859501414

THIS PRODUCT IS NOT FOR SALE, RE-SALE, DISTRIBUTION OR USE IN THE FOLLOWING COUNTRIES: BELGIUM, FRANCE, GERMANY, ITALY, NETHERLANDS, SPAIN, OR THE UNITED KINGDOM UNTIL AUGUST 2017

HOW TO ORDER



¹UL and cUL is -58°F to 158°F (-50°C to +70°C)