

Differential Pressure Switch for air, flue and exhaust gases

AA-A1...

DUNGS[®]
Combustion Controls



Tollfree in Western Canada: 1-888-388-1592
microwatt.com • mwsales@microwatt.com

SALES • SERVICE • SUPPORT



Approvals

UL Recognized

- UL 353
- File # MH 16628

CSA Certified

- CSA C22.2 No. 14
- File # 201527

FM Approved

- Class 3510, 3530
- File # J.I. 1T7A8.AF

Commonwealth of Massachusetts Approved Product

- Approval code G3-0106-191
- Air pressure switch for differential, vacuum or pressure

Codes and Standards

This product is recommended for installations covered by but not limited to NFPA 85, NFPA 86, UL 795, CSD-1, ANSI Z83.4, ANSI Z83.18, ANSI Z21.13, CSA B149.1, CSA B149.3 and CSA B149.6.

**DUNGS is an ISO 9001
manufacturing facility.**



Description

AA-A1... differential pressure switches are compact pressure switches for automatic burner controls. Available with hose connections.

AA-A1... differential pressure switches are suitable for making and/or breaking a circuit when the medium pressure changes relative to the set point.

Application

Differential pressure monitoring in firing, ventilation and air-conditioning systems. The AA-A1... can be used as a pressure, vacuum or differential pressure switch for air and non-aggressive gases. Not suitable for natural gas, propane, butane and other combustible gases.

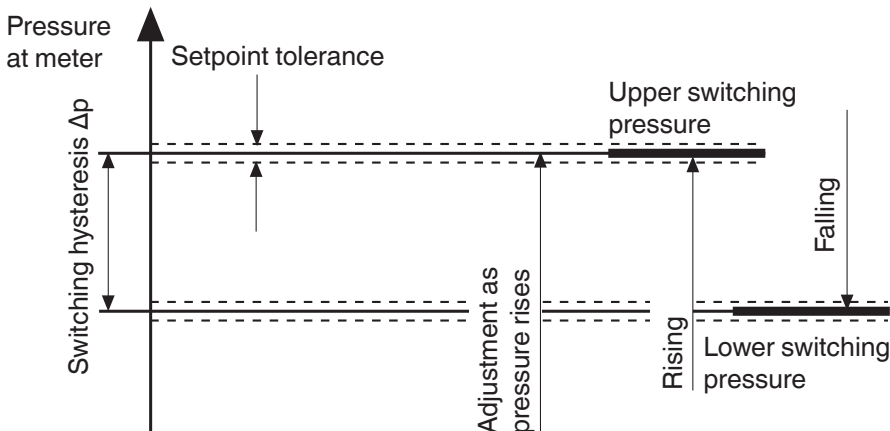
AA-A1 ... SPDT differential pressure switch in pressure and vacuum ranges. The differential pressure acts via the diaphragm against the force of the setting spring on the micro-switch. The pressure switch operates without any auxiliary power.

Specifications

Max. operating pressure	1.5 PSI (103 mbar)		
Pressure connection	0.16" (4 mm) diameter hose connection		
Temperature range	Ambient temperature	-40 °F to +140 °F (-40 °C to +60 °C)	
	Medium temperature	-40 °F to +140 °F (-40 °C to +60 °C)	
Materials	Housing:	Polycarbonate	
	Switch:	Polycarbonate	
	Diaphragm:	NBR-based rubber	
	Switching contact:	Silver (Ag)	
Electrical ratings	AC eff. min.	24 V	max. 250 V
	DC min.	24 V	max. 48 V
Current ratings	AC 5 A resistive @ 120 VAC		
	AC 2.5 A inductive @ 120 VAC		
	DC min. 20 mA @ 24 VDC		
	DC max. 1 A @ 12 - 48 VDC		
Electrical connection	1/4 x 1/32" (6.3 x 0.8 mm) flat male terminals		
Enclosure rating	Standard: No NEMA Type rating (no cover)		
	NEMA Type 1 with 230216 cover		
	NEMA Type 12 with 225816 cover		
Setting tolerance	Tolerance as per specification		
Installation position	Any, as per specification. The setting point changes by approx. ±0.2 in. W.C. if the mounting position is different than the setting position		

Definition of switching hysteresis Δp

The pressure difference between the upper and lower switching pressures.



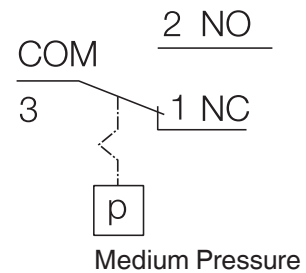
AA-A1... switching function

As pressure rises:

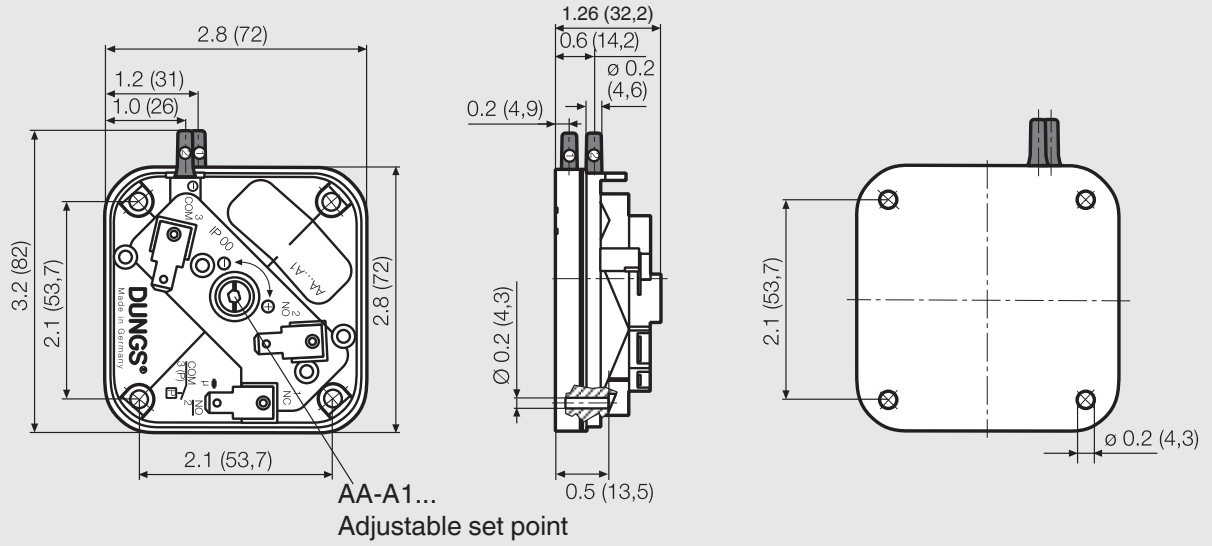
1 NC opens, 2 NO closes

As pressure falls:

1 NC closes, 2 NO opens



Dimensions inch (mm)

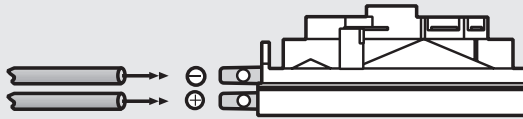


Height with NEMA Type 1 cover: 1.33 (34,2)
Height with NEMA Type 12 cover: 1.80 (45,6)

Pressure connection

- 1 Pressure connection (+)
- 2 Pressure connection (-)

Connection p2 (-) = lower pressure
Connection p1 (+) = higher pressure





**Differential Pressure Switch
for air, flue and exhaust gases**

AA-A1...



Type	Version	Description	Order No.	Factory setting range in. W.C.	Switching hysteresis in. W.C.
AA-A1-0-...	AA-A1-0-2	No cover	266906	0.16 - 1.20	≤ 0.14
	AA-A1-0-3	No cover	266904	0.40 - 4.00	≤ 0.20
	AA-A1-0-4	No cover	266908	1.00 - 20.00	≤ 0.40
AA-A1-3-...	AA-A1-3-2	Includes NEMA Type 12 cover and 1/2 NPT conduit connection	266907	0.16 - 1.20	≤ 0.14
	AA-A1-3-3	Includes NEMA Type 12 cover and 1/2 NPT conduit connection	266905	0.40 - 4.00	≤ 0.20
	AA-A1-3-4	Includes NEMA Type 12 cover and 1/2 NPT conduit connection	266909	1.00 - 20.00	≤ 0.40

Accessories for pressure switch	Order No.			
NEMA Type 1 Cover	230216		Shown with NEMA Type 1 Cover	
NEMA Type 12 cover with 1/2 NPT conduit connection	225816			Shown with NEMA Type 12 Cover
Mounting plate (flat plastic)	230301			

We reserve the right to make any changes in the interest of technical progress.



Karl Dungs, Inc.
 3890 Pheasant Ridge Drive NE
 Suite 150
 Blaine, MN 55449, U.S.A.
 Phone 763 582-1700
 Fax 763 582-1799
 e-mail info@karldungsusa.com
 Internet <http://www.dungs.com/usa/>

Karl Dungs GmbH & Co. KG
 P.O. Box 12 29
 D-73602 Schorndorf, Germany
 Phone +49 (0)7181-804-0
 Fax +49 (0)7181-804-166
 e-mail info@dungs.com
 Internet <http://www.dungs.com>