



### Key Benefits

- Full integration of intruder detection and access control within the same control panel
- Interconnection: link several S3100 panels through your IP-network and build any size of installation
- Ultra fast and secure communication over existing IP-networks (100 Mb)
- Full integration with digital video recorder and transmitter
- Bi-directional communication to management software over TCP/IP, ISDN, PSTN
- Primary and secondary communication: SIA over IP, VdS 2465, etc.
- Single and multi-site
- Multi Application
- Modular

### Description

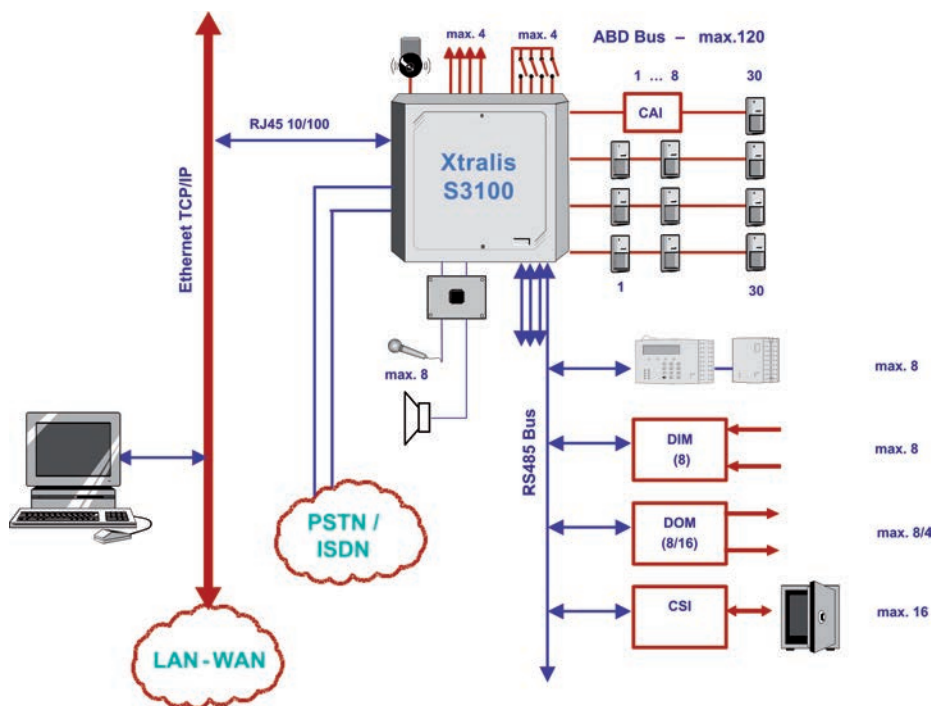
Multi application panel for intruder detection and access control.

- IP-based multi-application security panel integrating:
  - Access Control
  - Intruder Detection
  - Technical Control
  - Bank Security
- Total and modular security solution for single and multi-site organisations.

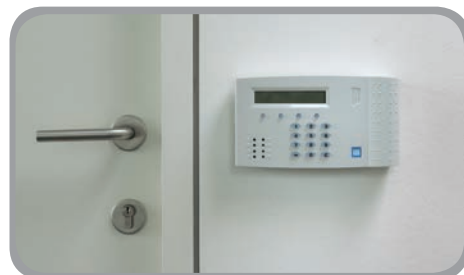
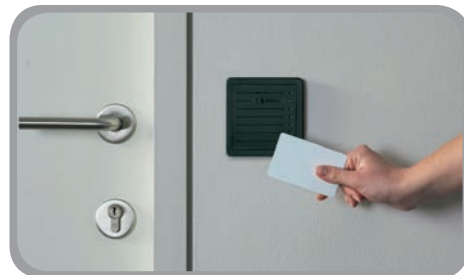
### Xtralis Security Solution product family



### Configuration



### Support for different types of card readers



### Specifications

<b>Intruder detection</b>	<ul style="list-style-type: none"> <li>Up to 120 detection points per S3100 panel</li> <li>Up to 32 zones per panel with possibility to create common zones</li> <li>Perfect for retrofits</li> </ul>
<b>Access Control</b>	<ul style="list-style-type: none"> <li>Up to 12,000 badges (32-bit cards), 8 doors per S3100 panel</li> <li>Advanced features including anti-pass back, interlock and interaction with Intruder Detection</li> <li>Support for different types of card readers</li> <li>Programmable logical functions</li> </ul>
<b>Bank Security</b>	Advanced bank security features for bank safe management, interlock, ATM access, auto-test procedures
<b>Interconnection</b>	<ul style="list-style-type: none"> <li>Up to 8 S3100 panels can be interconnected over an IP network, behaving as 1 system</li> <li>Scale your system: up to 960 detection points, 64 doors, 64 safes, 512 inputs and outputs</li> </ul>
<b>General</b>	<ul style="list-style-type: none"> <li>Ethernet interface 10/100 Mb - embedded TCP/IP</li> <li>Very user-friendly configuration through FCU (S3100 Configuration Utility)</li> <li>External communications through native IP, ISDN or PSTN</li> <li>Up to 10,000 S3100 panels can communicate with Xtralis Management Software</li> <li>Primary and backup encrypted communication</li> <li>Very flexible wiring principles: choice between bus, star or combination of both</li> <li>Perfect integration with Xtralis Security Solutions FastTrace 2/2E Network Video and Audio Recorder / Transmitter over IP network for alarm verification, access control verification and triggered alarm recording</li> <li>Watch-Dog function permanently</li> <li>Power Supply: 220 VAC – 60 W</li> </ul>

www.xtralis.com

UK and Europe +44 1442 242 330 D-A-CH +49 431 23284 1 The Americas +1 781 740 2223

Middle East +962 6 588 5622 Asia +86 21 5240 0077 Australia and New Zealand +61 3 9936 7000

The contents of this document are provided on an "as is" basis. No representation or warranty (either express or implied) is made as to the completeness, accuracy or reliability of the contents of this document. The manufacturer reserves the right to change designs or specifications without obligation and without further notice. Except as otherwise provided, all warranties, express or implied, including without limitation any implied warranties of merchantability and fitness for a particular purpose are expressly excluded.

Xtralis, the Xtralis logo, The Sooner You Know, VESDA-E, VESDA, ICAM, ECO, OSID, HeiTel, ADPRO, IntrusionTrace, LoiterTrace, ClientTrace, SmokeTrace, X0a, X0h, iTrace, iCommand, iRespond, iCommission, iPIR, and FMST are trademarks and/or registered trademarks of Xtralis and/or its subsidiaries in the United States and/or other countries. Other brand names mentioned herein are for identification purposes only and may be trademarks of their respective holder(s). Your use of this document does not constitute or create a licence or any other right to use the name and/or trademark and/or label.

This document is subject to copyright owned by Xtralis. You agree not to copy, communicate to the public, adapt, distribute, transfer, sell, modify or publish any contents of this document without the express prior written consent of Xtralis.

Doc. no. 14541\_05