



## EXPLOSION PROOF INTERCOM STATION

- Stainless steel hardware
- Super-bright LED indicator
- Tactile keypad
- Speed dial / auto conference
- Headset, gooseneck and handset options
- Output to powered loudspeaker
- Hinged front cover
- Rated Type 4X and IP66
- UL, cUL and CE Listed

# Explosion Proof Digital Intercom Stations for North America Applications

## Model ECHO E1

Federal Signal Model E1 ECHO Intercom Stations, UL, cUL and CE listed, provide safe and efficient two-way voice communications in large and small ECHO Digital Intercom Systems. The E1 ECHO Station is designed and approved for use in Hazardous Areas including Class I, Division 1, Groups C and D; Class II, Division 1, Groups E, F and G; and Class III.

The E1 ECHO station provides instantaneous high-speed connections and clear, crisp digital voice quality. Each station offers single-button all call, priority emergency paging, group paging, speed dial, conference call, and relay output.

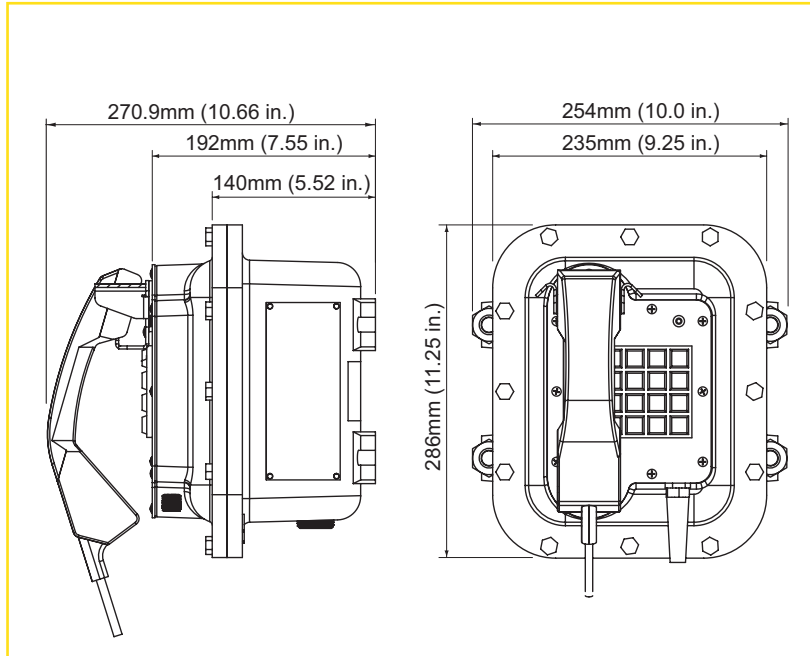
Any station can call any other station(s) in an ECHO Digital Intercom System. With the headset or gooseneck microphone options, each is capable of hands-free voice communication. Because the ECHO Digital Central Exchange provides 30 channels of simultaneous communication, calls are processed and connected immediately without dial tone or delay.

The E1 Station keypad is designed to provide tactile and audible feedback (via external powered speaker) for positive activation. Each station may be programmed for four levels of privacy for receiving calls; non-private, semi-private, full privacy and do-not-disturb. Volume for voice and signal levels are easily adjusted on the keypad.

Each E1 Station is constructed with a heavy duty, corrosion-resistant cast aluminum and a powder coated aluminum faceplate, equipped with weatherproof keypads, and is rated for use in Type 4X dust-and water-tight applications.



## EXPLOSION PROOF DIGITAL INTERCOM STATIONS (E1)



### HOW TO ORDER

- Specify model:  
 Station with Handset (E1-HND)  
 Station with Headset (E1-HDS)  
 E1-HND in 4X enclosure (E1-HND-4X)  
 E1-SM in 4X enclosure (E1-SM-4X)  
 E1-HDS in 4X enclosure (E1-HDS-4X)  
 Stubby Microphone, 65mm (E1-SM)  
 Gooseneck Microphone, 260mm (E1-GM1)  
 Gooseneck Microphone, 440mm (E1-GM2)  
 Gooseneck Microphone, 590mm (E1-GM3)

### OPTIONAL ACCESSORIES

10m Headset extension cord (K1751234A)

Handset with 10m (detachable) curly cord (K8601272A)

### SPECIFICATIONS

Operating Voltage:	24VDC nominal (line driven from ECHO control)	Cable:	One twisted pair, non-shielded
Current Idle:	25 mA	Cable Entries:	3 x M20
Current Connected:	100 mA max.	Operating Temperature Range:	-40°C to +65°C
Handset Microphone Type:	Dynamic	Termination:	Din rail mount tensioned clamp terminals
Handset Material:	Moulded Polycarbonate/ABS Blend	Relay Switching Capacity:	3A at 240VAC
Handset Cord:	Polyurethane	Net Weight:	25 lbs                      11.4 kg
Stubby Microphone Type:	Dynamic	Shipping Weight:	30 lbs                      13.6 kg
Stubby Mic Sensitivity:	-54dBA	Shipping Dimensions:	20.63" x 14.13" x 13.63" 524mm x 359mm x 346mm
Stubby Mic Enclosure:	Stainless Steel		
Audio Output:	2.7 Vrms / 1k Ohm load		
Volume Control via Keypad:	30dBA in ten steps		
Ingress Protection	IP66 (IP65 on handset)		
Line Attenuation:	24dBA@160kb/s Max		
Loop Resistance:	170 Ohm Max		
Distance:	1.2 miles                      2.0 kms Max		

**E1-SM**



**E1-HDS**

