

# Non-Metallic Zone 1 Loudspeaker

Model P-LS2B and P-LS2C



*Shown with optional swivel mounting bracket*

## FOR USE IN MARINE AND HAZARDOUS APPLICATIONS

- Corrosion Resistance Anti-Static GRP (Glass-Reinforced Polyester) Design
- Universal Mounting Bracket
- Stainless-Steel Hardware
- CE Compliant
- ATEX/IEC Zone 1 Gas Groups IIB and IIC
- IP66 Rated

Federal Signal's non-metallic loudspeakers, model P-LS2B and P-LS2C, are designed for use in industrial public address and general alarm applications, where corrosion resistance and ATEX/IEC Certification are required. P-LS2B and P-LS2C loudspeakers are available in an ATEX/IEC Zone 1 explosion-proof version certified IP66 for ingress of dust and combustible gas to either Group IIB or Group IIC.

P-LS2B and P-LS2C loudspeakers, designed to accept an audio input of 100 Vrms, are manufactured from corrosion-resistant, anti-static glass-reinforced polyester (GRP). Each speaker is transformer coupled with a maximum power output of 25 watts and is supplied with 10 preset taps (25, 20, 15, 10, 5, 2, 1.5, 1, 0.5 and 0.2 watts) to adjust sound output.

Mounting is provided by a "common template" stainless-steel ratcheted mounting bracket that locks the loudspeaker in position at a specific angle without slipping. Optional swivel mounting bracket contains three slotted mounting holes to further adjust speaker position and adapt to a variety of different surfaces.

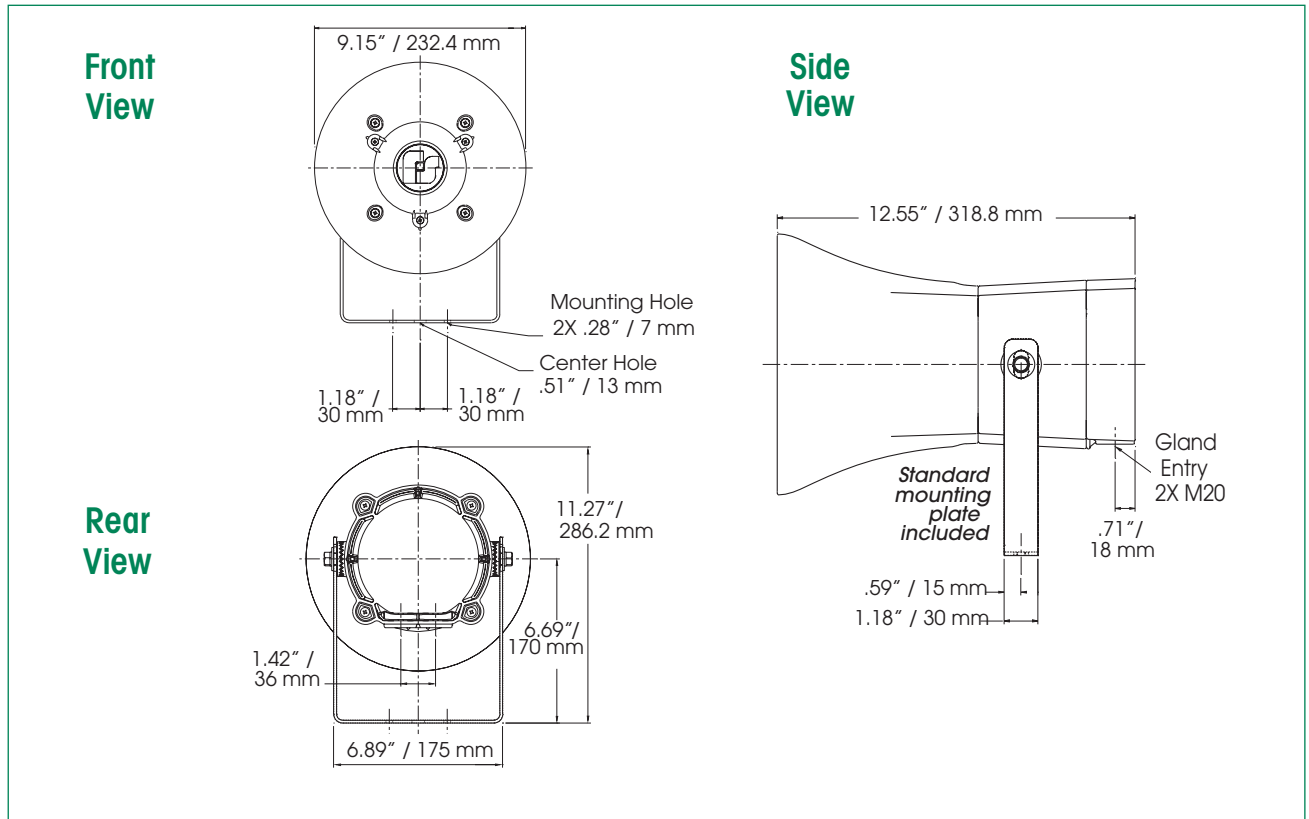
Connection for field wiring is provided by two M20 X 1.5 mm threaded openings in the bottom of the rear cover and terminated via internal terminal blocks. All external hardware is manufactured from stainless steel to resist corrosion and provide serviceability for years to come.

**ATEX IEC CE**

Model	Power Handling	Frequency Response	Power Transformer	Taps	Decibels @ 10'	1m
P-LS2B	25 watt	150Hz - 21kHz	100 Vrms	25, 20, 15, 10, 5, 2 1.5, 1, 0.5, 0.2	114	124
P-LS2C	25watt	150Hz - 21kHz	100 Vrms	25, 20, 15, 10, 5, 2 1.5, 1, 0.5, 0.2	113	123



## NON-METALLIC ZONE 1 LOUDSPEAKER (P-LS2B AND P-LS2C)



### SPECIFICATIONS

Certificate Number:

ATEX	Baseefa10ATEX0096X
IECEX	IECEX BAS 10.0052X
P-LS2B	CE 0539 Ex II 2G
	Ex d e mb IIB + H2 T5 Gb (-50°C ≤ Ta +70°C)
	T6 Gb (-50°C ≤ Ta +55°C)
P-LS2C	CE 0539 Ex II 2GD
	Ex d e mb IIC T5 Gb Ex tb IIIC IP66 T100°C Db (-50°C ≤ Ta +70°C)
	T6 Gb Ex tb IIIC IP66 T85°C Db (-50°C ≤ Ta +55°C)

Gland Entries: 2 X M20 X 1.5 mm

Cable Terminations: 0.5 – 4 mm<sup>2</sup> (12-22 AWG) Conductors

Size (P-LS2B & P-LS2C): 232.4 mm (9.15") Diameter

286.2 mm (11.27") Height

318.8 mm (12.55") Length

Material: Glass-Reinforced Polyester (GRP)

Color: Black

Audio Input: 100 Vrms

Max. Audio Output: (max.) 124dB @ 25 Watt (1 meter)

Wide Range Frequency Response: 150Hz – 21kHz

Net Weight: (P-LS2B & P-LS2C): 5.9 kg 13.0 lbs

Shipping Weight: (P-LS2B & P-LS2C): 6.9 kg 15.3 lbs

### HOW TO ORDER

- Specify model and voltage  
Corrosion Resistant Loudspeaker,  
ATEX Zone 1 Rated Gas Group IIB (P-LS2B)  
Corrosion Resistant Loudspeaker,  
ATEX Zone 1 Rated Gas Group IIC (P-LS2C)
- Optional Accessories  
Swivel Mounting Bracket (K8595172A)

### REPLACEMENT PARTS

Description	Part Number
Swivel Mounting Bracket Kit	K8595172A
P-LS2 Gasket and Fuse Kit <sup>1</sup>	K859500361A

<sup>1</sup> Includes rear cover gasket kit and fuse module

