



AudioMaster® Two-way Intercom with Noise Canceling Microphone

Model 310-MV-MNC

INTERCOM FOR HIGH AMBIENT NOISE ENVIRONMENTS

- Multi-voltage design accepts 24VDC, 120VAC and 240VAC
- Heavy-duty industrial intercom
- Noise canceling microphone
- Balanced line output
- Type 3R enclosure
- UL Listed, CSA Certified and Marine Listed

Federal Signal's AudioMaster® 310-MV-MNC is a two-way industrial intercom that provides reliable communications and superior sound quality.

The AudioMaster 310-MV-MNC's standard features include volume control, call button, balanced line output, listen/talk switch, remote device activation, and the ability to power another intercom at 24VDC.

This heavy duty intercom will operate from -31°F to 150°F (-35°C to 66°C). The remote device activation feature allows you to activate an auxiliary signal such as a horn or light.

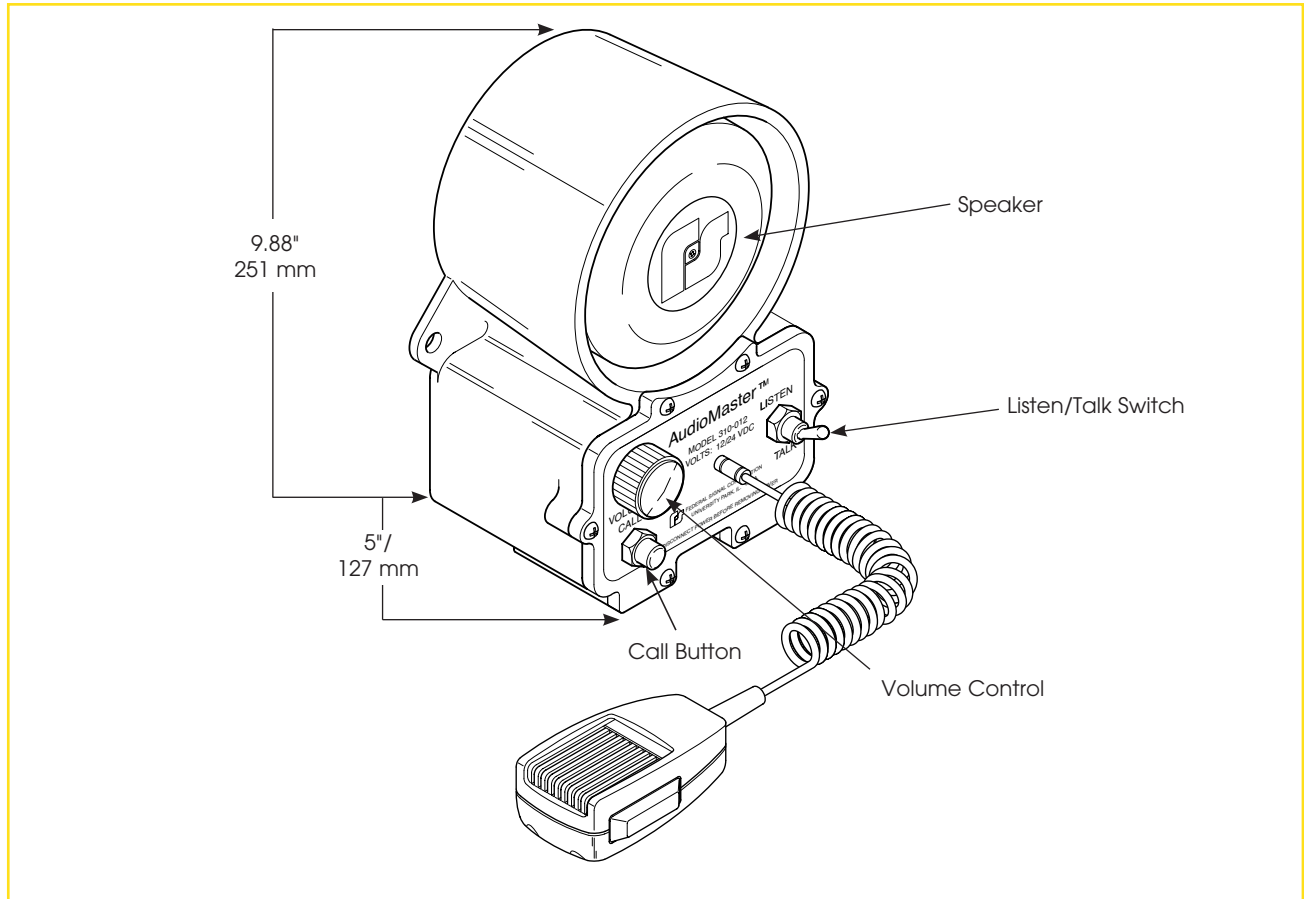
When the ambient noise level is too high for the standard 310-MV integrated microphone, the 310-MV-MNC noise canceling unit is used to improve transmission quality.

The 310-MV-MNC is ideal for use at oil refineries, petrochemical plants, offshore platforms, pulp and paper mills, water treatment facilities, airports, shipyards or anywhere reliable two-way communication is important for safe, efficient operation.

Model	Voltage	Operating Current	Standby Current	Frequency Response (-6dBA)	Input Impedance
310-MV-MNC	24VDC	465 mA	62 mA	150Hz-12KHz	3400 Ohms
	120VAC 50/60Hz	163 mA	70 mA	150Hz-12KHz	3400 Ohms
	240VAC 50/60Hz	82 mA	35 mA	150Hz-12KHz	3400 Ohms



TWO-WAY INDUSTRIAL INTERCOM (310-MV-MNC)



SPECIFICATIONS

Speaker Rating:	30 watt	30 watt
Operating Temperature:	-31°F to 150°F	-35°C to 66°C
Net Weight:	10.1 lbs.	4.6 kg
Shipping Weight:	12.0 lbs.	5.4 kg
Height:	9.88"	251.0 mm
Width:	6.5"	165.1 mm
Depth:	5.0"	127.0 mm

HOW TO ORDER

- Specify model number

REPLACEMENT PARTS

<u>Description</u>	<u>Part Number</u>
PC Board Assembly	K2001915B
Connector	K140A326A-01
Microphone	MNC-MC
Kit, potentiometer	K8590237A
Kit, toggle switch	K122A298A
Kit, call button and boot	K8590241A
Resistors, 1K, 1W	K101216A
Gasket, rubber	K8590013B



MICROWATT
Making Safety Work

Tollfree in Western Canada: 1-888-388-1592
microwatt.com • mwsales@microwatt.com