



# AudioMaster® Two-Way Intercom

Model 310-MV

## TWO-WAY INTERCOM WITH SUPERIOR SOUND QUALITY

- Multi-voltage design accepts 24VDC and 120VAC/240VAC
- Heavy-duty industrial intercom for indoor or outdoor applications
- Balanced and unbalanced line output
- Type 4X, IP65 enclosure
- UL Listed, CSA Certified and Marine Listed

Federal Signal's AudioMaster® 310-MV is an industrial intercom that provides reliable two-way communications and superior sound quality. This unit has a rugged Type 4X housing and is UL Listed and CSA Certified.

The AudioMaster 310-MV's standard features include volume control, call button, balanced line output, dust- and water-tight housing, listen/talk switch, remote device activation and the ability to power another intercom at 24VDC.

This heavy duty intercom will operate from -31°F to 150°F (-35°C to 66°C) in both indoor and outdoor applications. Remote device activation allows you to activate an auxiliary signal such as a horn or light.

The 310-MV is ideal for use at oil refineries, petrochemical plants, offshore platforms, pulp and paper mills, water treatment facilities, airports, shipyards or anywhere reliable two-way communication is important for safe and efficient operation.

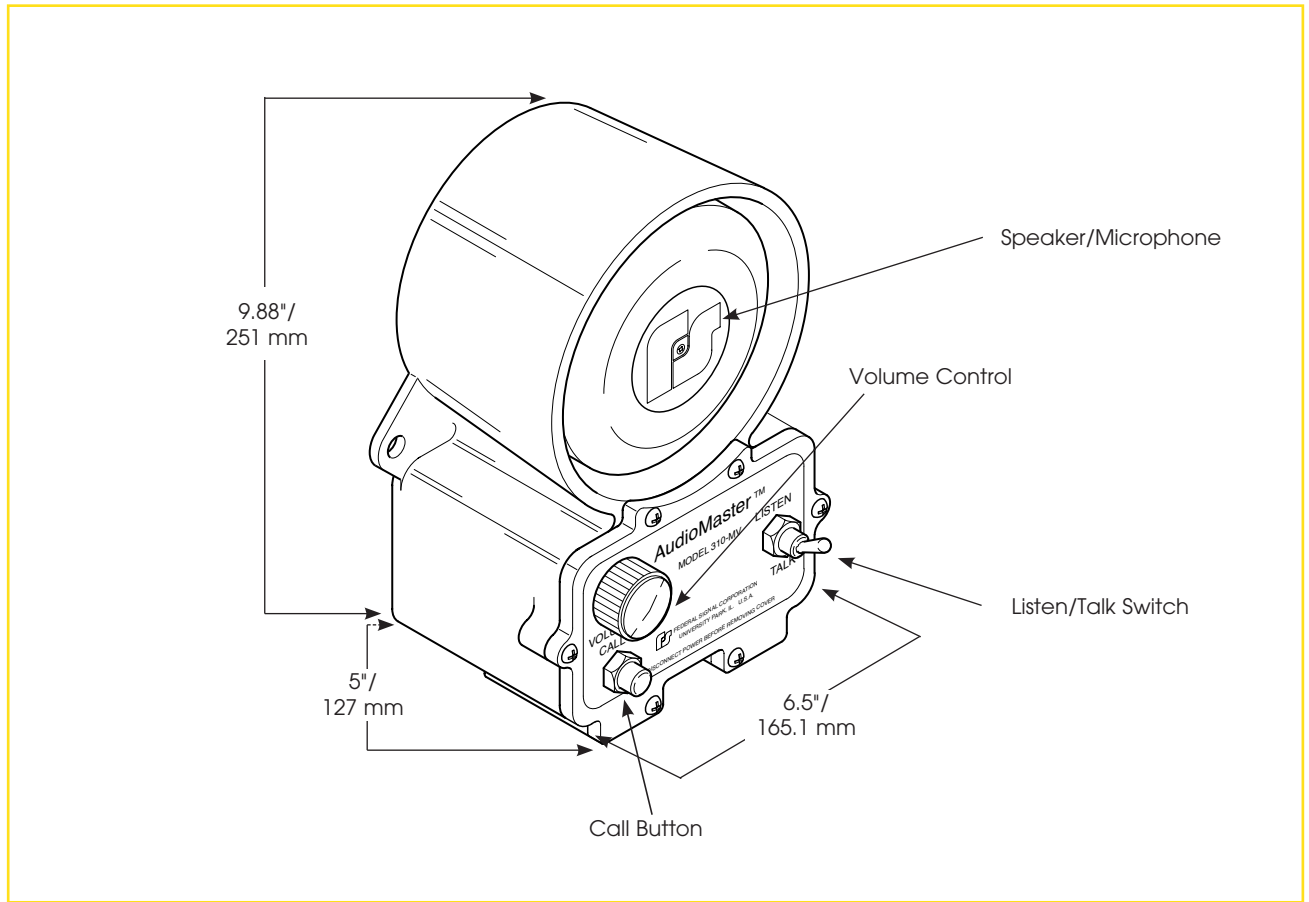


Tollfree in Western Canada: 1-888-388-1592  
microwatt.com • mwsales@microwatt.com

Model	Voltage	Operating Current	Standby Current	Frequency Response (-6dBA)	Input Impedance
310-MV	24VDC	465 mA	62 mA	150Hz-12KHz	3400 Ohms
	120VAC 50/60Hz	163 mA	70 mA	150Hz-12KHz	3400 Ohms
	240VAC 50/60Hz	82 mA	35 mA	150Hz-12KHz	3400 Ohms



## TWO-WAY INDUSTRIAL INTERCOM (310-MV)



### SPECIFICATIONS

Speaker Rating:	30 watt	30 watt
Operating Temperature:	-31°F to 150°F	-35°C to 66°C
Net Weight:	9.9 lbs.	4.5 kg
Shipping Weight:	11.5 lbs.	5.2 kg
Height:	9.88"	251.0 mm
Width:	6.5"	165.1 mm
Depth:	5.0"	127.0 mm

### HOW TO ORDER

- 310-MV - Intercom, 24VDC/120VAC/240VAC, industrial, wall mount
- Optional Accessories: Listen/Talk Kit (K8502017A)
- Please refer to Model Number Index 310-MV beginning on page 360

### REPLACEMENT PARTS

<u>Description</u>	<u>Part Number</u>
PC Board Assembly	K2001915B
Connector, 10 pin	K140A326A-01
Resistor, 1K, 1W	K101216A
Kit, potentiometer	K8590237A
Kit, toggle switch	K8590298A
Kit, call button and boot	K8590241A
Permanent Slave Kit	K8502017A
Gasket, rubber	K8590013B