



SelectTone® Audible Signaling Device

Model 50GC

DESIGNED FOR INDOOR AND OUTDOOR USE

- Available in 24VAC/24VDC, and 120VAC
- Solid-state circuitry
- Built-in gain control, adjustable between 64dBA to 88dBA @ 10' (74dBA to 98dBA @ 1m)
- Flush or surface mount
- Type 3R enclosure
- UL and cUL Listed, and CSFM Approved

Federal Signal's Model 50GC SelectTone® Speaker Amplifier is designed to produce crisp, clear tones, digital voice messages and live public address.

In the Model 50GC a short, folded re-entrant horn is interposed between the diaphragm and surrounding air space. This design provides optimal dBA output and very good frequency response.

The 50GC is UL Listed. It has been designed, tested and approved for use in Type 3R applications. When installed with the Model WB Weatherproof Backbox, the 50GC is suitable for use outdoors.

Internal gain control allows output adjustment from 64dBA to a maximum of 88dBA at 10 feet.

SelectTone Speaker Amplifiers are used individually or as part of a plant-wide emergency notification system. The Model UTM Universal Tone Module, with 32 tones, or the TM33 Custom Tone Module is plugged into a single SelectTone Speaker Amplifier for stand-alone use or into a SelectTone Command Unit for plant-wide signaling.

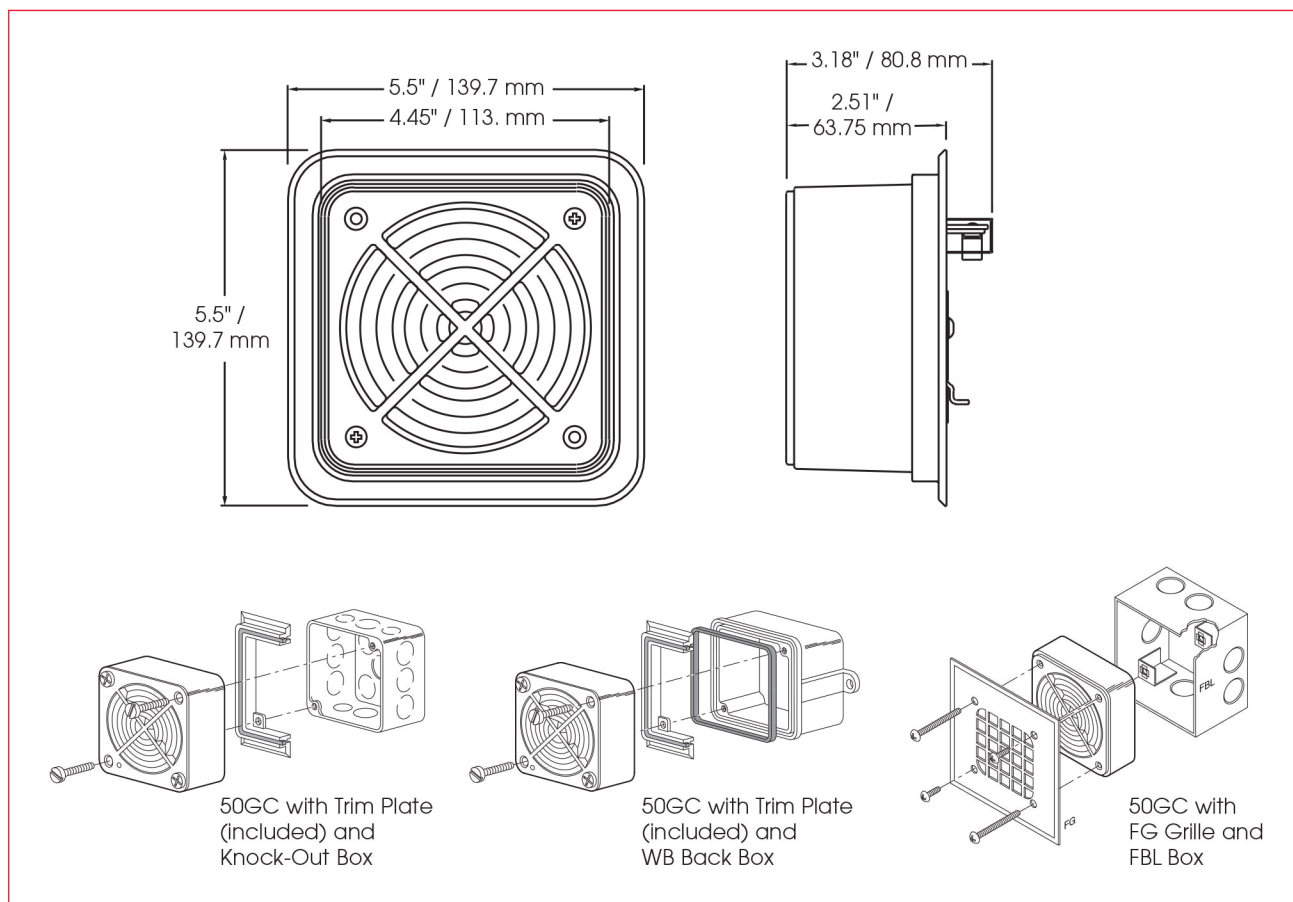
For plant-wide signaling, a Connector Kit is installed into each SelectTone Speaker Amplifier and wired to a central controller. SelectTone Command Units and CommCenter® Digital Message Centers broadcast tones, voice messages, melodies and live public address to an unlimited number of SelectTone Speaker Amplifiers.

The compact size and attractive appearance of the Model 50GC make it ideal for use in offices, hallways, reception, and plant areas where ambient noise levels are not exceedingly high, and even sound dispersal is desired. Emergency signaling and paging are common applications.

Model	Voltage	Operating Current	Standby Current	Decibels @	
				10'	1m
50GC-024BG	24VDC	0.09 amps	0.025 amps	88	98
50GC-024BG	24VAC 50/60Hz	0.29 amps	0.095 amps	88	98
50GC-120BG	120VAC 50/60Hz	0.04 amps	0.027 amps	88	98



SELECTONE® AUDIBLE SIGNALING DEVICE (50GC)



SPECIFICATIONS

Operating Temperature:	-31°F to 161°F	-35°C to 72°C
Net Weight:	1.7 lbs.	0.8 kg
Shipping Weight:	2.2 lbs.	1.0 kg
Height:	5.5"	139.7 mm
Width:	5.5"	139.7 mm
Depth:	3.18"	80.8 mm

REPLACEMENT PARTS

Description

Kit, Trim Ring and Gasket

Part Number

K8476123A

HOW TO ORDER

- Specify model and voltage
- Specify Tone Module for stand alone operation (sold separately)
 - Universal Tone Module (UTM)
 - Custom Tone Module (TM33)
- Specify Connector Kit (sold separately) for use in systems (Call factory for system design assistance)
 - 25 Vrms Connector Kit (AM25CK)
 - 70 Vrms Connector Kit (AM70CK)
- Specify Accessories:
 - Weatherproof Back Box (WB)
 - Grille (FG)
 - Flush Mount Back Box (FBL)



MICROWATT
Making Safety Work

Tollfree in Western Canada: 1-888-388-1592
microwatt.com • mwsales@microwatt.com