



**FEDERAL SIGNAL**

Safety and Security Systems / Industrial

*Advancing security and well-being.*

## **Models 300VSC-1 and 300VSC-1044SB SelecTone® Command Units®**



*Model 300VSC-1044SB*

*Model 300VSC-1*

*Model MSB-1*

---

## ***Installation and Maintenance Manual***



**Warranty** – Seller warrants all goods for five years on parts and 2-1/2 years on labor, under the following conditions and exceptions: Seller warrants that all goods of Seller’s manufacture will conform to any descriptions thereof for specifications which are expressly made a part of this sales contract and at the time of sale by Seller such goods shall be commercially free from defects in material or workmanship. Seller reserves the right at the Seller’s discretion to “Repair and Return” or “Replace” any item deemed defective during the warranty period. This warranty does not cover travel expenses, the cost of specialized equipment for gaining access to the product, or labor charges for removal and reinstallation of the product. This warranty shall be ineffective and shall not apply to goods that have been subjected to misuse, neglect, accident, damage, improper maintenance, or to goods altered or repaired by anyone other than Seller or its authorized representative, or if five years have elapsed from the date of shipment of the goods by Seller with the following exceptions: lamps and strobe tubes are not covered under this warranty. Outdoor warning sirens and controllers manufactured by Federal Warning Systems are warranted for two years on parts and one year on labor. No agent, employee, representative or distributor of Seller has any authority to bind the Seller to any representation, affirmation, or warranty concerning the goods and any such representation, affirmation or warranty shall not be deemed to have become a part of the basics of the sales contract and shall be unenforceable. THE FOREGOING WARRANTIES ARE EXCLUSIVE AND IN LIEU OF ALL OTHER WARRANTIES OR MERCHANTABILITY, FITNESS FOR PURPOSE AND OF ANY OTHER TYPE, WHETHER EXPRESS OR IMPLIED. These warranties shall not apply unless Seller shall be given reasonable opportunity to investigate all claims for allegedly defective goods. Upon Seller’s instruction a sample only of allegedly defective goods shall be returned to Seller for its inspection and approval. The basis of all claims for alleged defects in the goods not discoverable upon reasonable inspection thereof pursuant to paragraph 8 hereof must be fully explained in writing and received by Seller within thirty days after Buyer learns of the defect or such claim shall be deemed waived.



2645 Federal Signal Drive • University Park, IL 60484  
Tel: 708-534-4756 • 877-289-3246. Fax: 708-534-4852  
elp@fedsig.com • www.federal-signal-indust.com • www.fs-isys.com

---

## Contents

<b>Safety Message to Installers of Federal Signal Products</b> .....	<b>5</b>
<b>Unpacking the Product</b> .....	<b>5</b>
<b>An Overview of the Product</b> .....	<b>5</b>
Chassis Dimensions and Features.....	6
Front Panel Features .....	6
Control Circuitry Features.....	7
CANCEL Pushbutton .....	7
TEST Pushbutton.....	7
Power Requirements.....	7
Audio Inputs .....	7
<b>Recommendation for the Signal Lines</b> .....	<b>10</b>
Connecting Signal Lines.....	11
<b>Connecting to Remote Devices</b> .....	<b>11</b>
Balanced Line Application .....	11
Unbalanced Line Application .....	12
Connecting a Low-Level Audio Output .....	12
<b>Connecting to Remote Switches for Tone Activation</b> .....	<b>13</b>
Installing SelecTone Tone Modules.....	13
<b>Two Methods of Supplying Power to the SelecTone System</b> .....	<b>14</b>
120 Vac 50/60 Hz Local Power .....	14
24 Vdc Central Power.....	14
<b>Connecting Power to the SelecTone System</b> .....	<b>15</b>
<b>Safety Messages to Maintenance Personnel</b> .....	<b>16</b>
<b>Getting Replacement Parts</b> .....	<b>16</b>
<b>Getting Repair Service or Technical Assistance</b> .....	<b>16</b>
<b>Returning a Product for Credit</b> .....	<b>17</b>

## Tables

<b>Table 1</b> Product specifications .....	<b>8</b>
<b>Table 2</b> Replacement parts .....	<b>16</b>

---

## Figures

<b>Figure 1</b> Connections on the back of Model 300VSC.....	11
<b>Figure 2</b> Model AM25CK connections (balanced line).....	12
<b>Figure 3</b> Model 300CK connections (unbalanced line).....	12
<b>Figure 4</b> Remote switch contacts for tone modules 1 through 4.....	13
<b>Figure 5</b> Typical local power system.....	14
<b>Figure 6</b> Typical central power system .....	15

SelecTone is a registered trademark of Federal Signal Corporation.  
© 2013 Federal Signal Corporation. All rights reserved.

## **Safety Message to Installers of Federal Signal Products**

### **⚠ WARNING**

People's lives depend on your proper installation and servicing of Federal Signal products. It is important to read and follow all instructions shipped with this product. In addition, listed below are some other important safety instructions and precautions you should follow:

- This device is to be installed by a trained electrician who is thoroughly familiar with the National Electric Code and will follow the NEC guidelines as well as local codes.
- Consult the authority having jurisdiction in your area regarding the proper use and installation of this product.
- The selection of the mounting location for the device, its controls and routing of the wiring is to be accomplished under the direction of the Facilities Engineer and the Safety Engineer.
- Read and understand all instructions before installing or operating this equipment.
- Do not connect this unit to the system when power is on.
- Optimum sound distribution will be severely reduced if any objects are in front of the speaker. Ensure that the front of the speaker is clear of obstructions.
- All effective warning speakers produce loud sounds which may cause, in certain situations, permanent hearing loss. You should take appropriate precautions such as wearing hearing protection.
- After installation, test the sound system to ensure proper operation.
- Show these instructions to your Safety Engineer and then file them in a safe place and refer to them when maintaining and/or reinstalling the unit.
- Establish a procedure to routinely check the sound system for proper activation and operation.

Failure to follow all safety precautions and instructions may result in property damage, serious injury, or death.

## **Unpacking the Product**

After unpacking the product, examine it for damage that may have occurred in transit. If the 300VSC-1 or the 300VSC-1044B has been damaged, do not attempt to install or operate it. File a claim immediately with the carrier, stating the extent of the damage. Carefully check all envelopes, shipping labels, and tags before removing or discarding them. Disposal of all shipping materials must be carried out in accordance with national and local codes and standards. If any parts are missing, please call Federal Signal Customer Support at 708-534-4756 or 877-289-3246.

## **An Overview of the Product**

The Model 300VSC SelecTone® Command Unit is a central control device that is capable of generating up to four different tone signals on a line that is connected to remote speaker/amplifiers in a SelecTone System. The 300VSC can control signal lines to Federal Signal Models 300GC, 300GCX, 300X, 302GC, 302GCX, 302X, and 50GC speaker/amplifiers and to other devices designed to operate with a SelecTone system. It can also control signals to speakers designed for 25 Vrms line operation. The 300VSC has a public address (PA) function so that voice messages or instructions can be announced over the SelecTone system through an optional Model MSB-1 or MNC-1 microphone. The unit can also be used to play background music generated from an external source over the SelecTone system.

## ***Installation and Maintenance Manual***

---

The Model MNC-1 microphone is a hand-held, noise canceling microphone that is ideal for use as a local microphone. The Model MSB-1 microphone is a base-station type microphone designed for desktop operation.

The Model 300VSC-1 is intended to be installed indoors on a desktop or other flat surface.

The Model 300VSC-1044B is a rack-mountable unit complete with mounting hardware. It fits any standard 19-inch rack-mount cabinet.

The Model 300VSC can be used for a variety of prioritized signaling purposes, such as playing background music, auxiliary fire alarm, evacuation alarm, start and dismissal, paging, and other emergency warning applications. The system can be automated if external devices such as heat detectors, switches or program clocks are connected to the remote control inputs. Additional advantages of the Model 300VSC include economical system expansion along with long-term system flexibility.

The Model 300VSC generates and amplifies tone and audio signals and applies them through signal lines to the remote SelecTone devices in the system. The Model AM25CK Connector Kit is required in each SelecTone device to connect the them to the signal line. Speakers designed for 25-volt operation can connect directly to the 25-volt output. The 300VSC has provisions for up to four SelecTone tone modules of your choice. The tones are designated as Tone 1, Tone 2, Tone 3, and Tone 4. Each tone can be manually activated locally by its associated pushbutton switch on the front panel or by a contact closure at the associated remote control input. Whenever a tone is activated, either locally or remotely, its associated front panel pushbutton LED lights to indicate that the tone has been activated. The LED remains lit until the tone is deactivated and the contact closure is removed. All 300VSC controls are located on the front panel.

Product details and features are described in the next sections. For complete product specifications, see Table 1 on pages 8 through 10.

### ***Chassis Dimensions and Features***

The Model 300VSC-1 is assembled in a black, brushed-aluminum, two-piece housing approximately 10.50 in (26.67 cm) wide by 9.25 in (23.50 cm) deep by 2.44 in (6.2 cm) high. It is intended to be placed on any flat horizontal surface, or it can be wall-mounted using the wall mounting brackets supplied in the accessory kit. The housing is held together with four screws: two on the bottom near the front and two at the back near the terminal blocks.

The Model 300VSC-1044SB is assembled in a three-piece aluminum housing. The housing is painted black and is 19.0 in wide x 10.0 in deep and 3.5 in high. This unit is installed in a standard 19-inch rack-mount cabinet.

### ***Front Panel Features***

The front panel switches are designated as **TONE 1** through **TONE 4**, **AUX**, **TEST**, and **CANCEL**. The tone corresponding to each switch can be labeled in the white area next to the switch with a permanent felt-tip marker. If you are changing a tone or message, remove the marking by lightly rubbing it with a rag dampened with denatured alcohol. To avoid damaging the switches, ensure that the alcohol does not come in contact with them.

## **Control Circuitry Features**

The control circuitry in the 300VSC has a built-in priority-level feature. If a given tone is already sounding when a higher priority tone is locally or remotely activated, the higher priority tone automatically overrides the lower priority tone. However, the pushbutton LED for the lower priority tone remains lit to indicate that the lower priority tone remains activated. When the higher priority tone is deactivated, the LED in the pushbutton turns off and the lower priority tone resumes sounding.

Pressing the **CANCEL** pushbutton deactivates any currently active tones. The local microphone has the highest priority. All of the tones have priority by number sequence and all have priority over remote PA and background music.

Because Tone 1 has priority over all tones, the TM9 “Slow Whoop” tone module is frequently installed in the Tone 1 position as a “Fire” signal. Whenever the 300VSC is activated and is not in the Test Mode (see “**TEST** Pushbutton” below), a built-in relay opens a set of normally closed contacts and closes a set of normally open contacts, which makes it possible to send an alarm signal to other emergency services or circuits. Check local codes for specific requirements regarding the types of tones to use.

## **CANCEL Pushbutton**

The **CANCEL** pushbutton resets all the manually activated signaling functions of the 300VSC. It also provides a momentary dry contact closure to facilitate remote resetting of any other alarm circuit. The contact stays closed as long as the **CANCEL** pushbutton is pressed. Resetting of remote activation will not occur if the closure occurring at the remote input has not been removed.

## **TEST Pushbutton**

The **TEST** pushbutton enables the testing of tones without activating speakers on the unbalanced signal lines. During the test the tone is heard only from the monitor speaker inside the enclosure. The **TEST** pushbutton also cancels false alarms. Whenever the pushbutton is pressed, the LED remains illuminated to remind the operator to press the **CANCEL** pushbutton after the test is completed or the false alarm is corrected.

## **Power Requirements**



**SHOCK HAZARD — To prevent power to the 300VSC from being turned off accidentally, it does not have a power switch and remains energized unless power is disconnected. Before performing any installation or maintenance, disconnect power to the 300VSC.**

---

The front panel has a green LED to indicate the presence of primary power. The 300VSC can be operated from either a 120 Vac or a 24 Vdc power source. The 120 Vac power is connected via the power cord, and the 24 Vdc power connects via the rear terminals.

## **Audio Inputs**

A microphone can be connected directly to the 300VSC through modular jacks provided in the front of the 300VSC. The microphone has the highest priority. There are, however, screw terminals for a low-level, low-impedance audio signal to be input in the back of the 300VSC. The terminals enable audio to be coupled from a PBX telephone system with the proper interface equipment supplied by the phone company. This input is designed to also enable the direct connection of a low-impedance remote microphone with separate PTT, which has a priority below the tones. An RCA jack in the back of the chassis accepts a standard 1-volt audio signal from a background music source such as a radio receiver, CD player, or a tape player.

**Table 1** Product specifications

**Power Input**

Input Voltage	120 Vac, 50 Hz to 60 Hz
Standby Current	50 mA, 120 Vac
Operating Current	210 mA (max)
Power Consumption	26 W (max.)

**Emergency Power Source Input**

Input Voltage	22 Vdc to 32 Vdc
Standby Current	90 mA
Operating Current	760 mA

**Audio Inputs**

*Local PA (use optional Model MSB-1 microphone)*

Input Impedance	5 k $\Omega$
Input Voltage	16 mVrms (max)

*Remote Microphone*

Input Impedance	5 k $\Omega$
Input Voltage	16 mVrms (max)

*Auxiliary Input*

Input Impedance	5 k $\Omega$
Input Voltage	500 mVrms (max.)

**Audio Outputs**

*Output Impedance*

Unbalanced Signal Line	25 $\Omega$ (max.)
Unbalanced Signal Line, Standby	120 $\Omega$
Balanced Signal Line	40 $\Omega$ (max.)
Low-Level Signal Line	600 $\Omega$

*Output Voltage Levels, No Load (< 3% THD)*

Unbalanced Signal Line	9 Vrms
Balanced Signal Line	17 Vrms
Low-Level Signal Line	1 Vpp

*Output Voltage Levels, Max. Load (< 3% THD)*

Unbalanced Signal Line	8 Vrms (25 $\Omega$ load)
Balanced Signal Line	15 Vrms (40 $\Omega$ load)
Low-Level Signal Line	1 Vpp (600 $\Omega$ load)



**Table 1** Product specifications (continued)

*Output Voltage Levels, No Load (sq. wave)*

Unbalanced Signal Line	12 Vrms
Balanced Signal Line	25 Vrms
Low-Level Signal Line	1 Vpp

*Tone Output Levels Max. Load (sq. wave)*

Unbalanced Signal Line	12 Vrms (25 $\Omega$ load)
Balanced Signal Line	20 Vrms (40 $\Omega$ load)
Low-Level Signal Line	0.56 Vrms (600 $\Omega$ load)

**Audio Frequency Response, Balanced Signal Line**

*40  $\Omega$  Max. Load, from 250 Hz to 80 kHz*

(Reference 1 kHz)	-3 dB
-------------------	-------

*40  $\Omega$  Max. Load, from 450 Hz to 60 kHz*

(Reference 1 kHz)	-1 dB
-------------------	-------

*No Load, from 100 Hz to 90 kHz*

(Reference 1 kHz)	-3 dB
-------------------	-------

*No Load, from 200 Hz to 60 kHz*

(Reference 1 kHz)	-1 dB
-------------------	-------

*Signal to Noise Ratio (< 3% THD)*

Local PA	60 dB
Remote Mic	40 dB
Aux. Input	80 dB

*Audio Distortion from Aux. Input to Balanced Signal*

Line Output (40 $\Omega$ Load)	2 %
--------------------------------	-----

**Internal Speaker**

Sound Level at 1 meter	65 dB
------------------------	-------

**Remote Tone Activation Circuit**

Type	Dry contact closure
Line Impedance	100 $\Omega$ (max.)
Circuit Current	50 mA (max.) (12 Vdc)

**Remote Microphone Activation Circuit (PTT)**

Type	Dry contact closure
Line Impedance	100 $\Omega$ (max.)
Circuit Current	10 mA (max.) (12 Vdc)

**Table 1** Product specifications (continued)

**Remote Contact Closure Outputs**

*Tone 1, Tone 2, Tone 3, Tone 4, Sig. Out, Aux., Test and Cancel Relays*

Type	Dry contact closure
Rating	24 Vdc, 1 A, resistive

**Signal to Noise Ratio (< 3% THD)**

Local PA	60 dBA
Remote Mic	40 dBA
Aux Input	80 dBA

**Audio Distortion From Aux Input to Balanced Signal**

Line Output (40 $\Omega$ load)	2 %
--------------------------------	-----

**Fuses**

F1	Type GMC-1, 1 A, 250 V
F2	Type GMC-1/2, 1/2 A, 250 V

**Dimensions and Weight**

*Model VSC-1*

Weight	4.125 lb (1.88 kg)
Dimensions (WDH)	10.5 in x 9.25 in x 2.44 in 26.67 cm x 23.50 cm x 6.20

*Model VSC-1044SB*

Weight	7.9 lb (3.58 kg)
Dimensions (WDH)	19.0 in x 10.0 in x 3.5 in 48.26 cm x 24.40 cm 8.89 cm

**Recommendation for the Signal Lines**

---



**REDUCED SOUND OUTPUT**— *If too small a diameter cable is used, unacceptable signal voltage drop in the signal line will cause reduced sound output from the remote signal device. Only use a cable having wire diameter greater than 22 AWG.*

---

The signal lines transfer tone signals and verbal messages from the 300VSC to the remote SelecTone devices. To reduce the possibility of cross talk, hum, and static-noise pickup, the signal lines must be twisted-pair, shielded audio cable. In the majority of systems, use AWG 18 shielded twisted-pair audio cables. Federal Signal does not recommend that new or existing telephone lines be used as signal lines in a SelecTone system for the following reasons:

- ✓ Interference from other services or systems, or interference from the system to other services
- ✓ Cross talk, interference, or hum induced by other telephone lines
- ✓ Extended downtime because of the second party involvement required to service the lines
- ✓ The additional cost of installation, interfacing devices and monthly charges as opposed to a one-time cost of performing the installation

## Connecting Signal Lines

**⚠ WARNING**

**CROSSTALK/INTERFERENCE HAZARD** — Mixing power lines with signal lines can cause cross talk, interference, or hum in the signal lines, which interferes with the emergency warning capability of this equipment. Do not install power lines in the same conduit as signal lines.

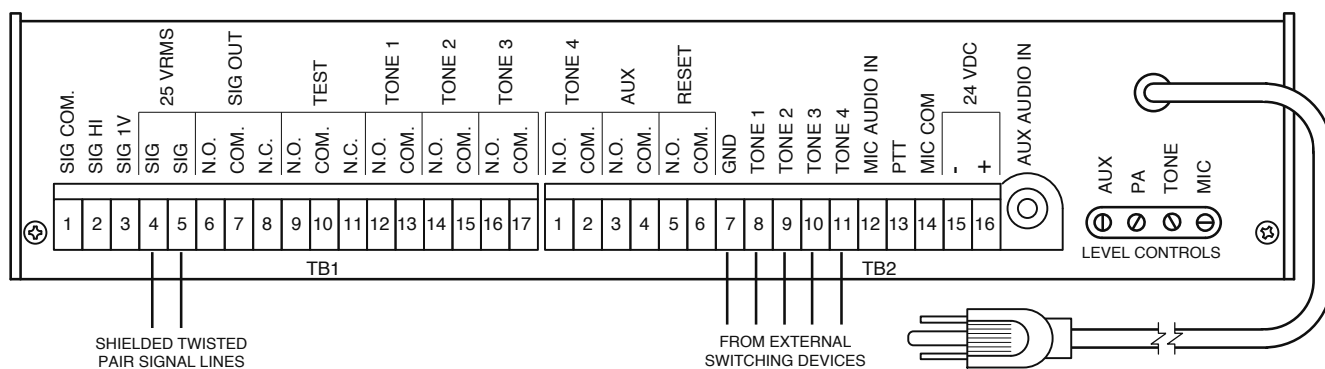
**⚠ WARNING**

**SHOCK HAZARD** — Do not install signal lines in the same conduit with power lines. Avoid routing signal lines on cable trays with high voltage power lines.

See Figure 1. To connect the signal lines of the SelecTone system to the 300VSC, connect a color-coded twisted pair of audio cables having conductors no smaller than 18 AWG to the TB1-4 and TB1-5 terminals on TB1. Every remote SelecTone signaling device in the system can be connected in parallel or series to these lines.

For non-SelecTone 25 Vrms speakers, such as ceiling speakers, connect the signal lines directly to TB1-4 and TB1-5 of terminal block TB1. Signal line losses must be considered when calculating how many speakers can be connected to the 300VSC.

**Figure 1** Connections on the back of Model 300VSC



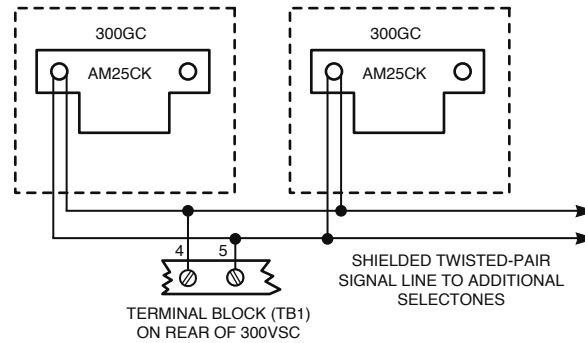
## Connecting to Remote Devices

Install the remote SelecTone device(s) following the instructions included with the device.

### Balanced Line Application

For 300GC, 300GCX, 300X, 302GC, 302GCX, 302X, or 50GC speakers, an AM25CK Connector Kit is required for connection to the balanced signal output of the 300VSC. The AM25CK properly terminates the balanced signal lines to the amplifier in the 300GC, 300GCX, 300X, 302GC, 302GCX, 302X and 50GC. As shown in Figure 2 on page 12, connect the white input wires on the AM25CK to the terminals TB1-4 and TB1-5 of terminal block TB1 on the 300VSC. The AM25CK and AM70CK Connector Kits are NOT polarity sensitive, but you must observe polarity when placing speakers in close proximity to each other.

**Figure 2** Model AM25CK connections (balanced line)



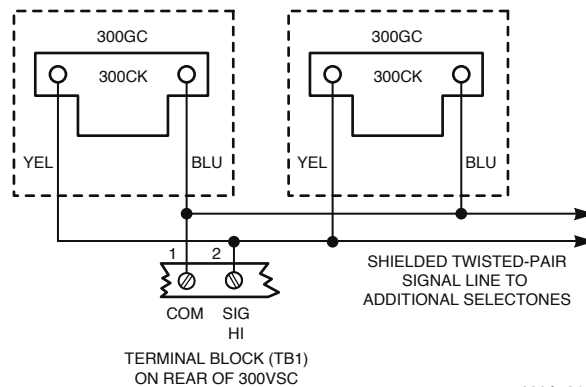
For 25 Vrms line-operated speakers, connect them directly to the balanced signal output of the 300VSC. Connect the speakers in parallel to terminals TB1-4 and TB1-5 of terminal block TB1 on the 300VSC. Unlike the unbalanced line output, this output is not switched.

**IMPORTANT:** Use the balanced signal output only if there are no SelecTone system devices connected to the unbalanced signal output (across TB1-1 and TB1-2).

### Unbalanced Line Application

See Figure 3. For existing SelecTone systems using the 300CK Connector Kit, use the unbalanced signal outputs on the 300VSC. A 300CK Connector Kit is required to connect a 300GC, 300GCX, 300X, 302GC, 302GCX, 302X or 50GC to the unbalanced signal lines. The 300CK properly terminates the signal lines to the amplifier in the 300GC, 300GCX, 300X, 302GC, 302GCX, 302X and 50GC. Connect the blue wire on the 300CK to the **SIG COM** wire from the 300VSC. Connect the yellow wire on the 300CK to the **SIG HI** wire from the 300VSC.

**Figure 3** Model 300CK connections (unbalanced line)



290A7318

### Connecting a Low-Level Audio Output

The 300VSC also has a 1-volt peak-to-peak audio output that can be coupled to the audio input of another amplifier. This low-level output is available across terminals TB1-1 and TB1-2. It can also be connected to an analog fiber optic transmitter so that audio can be transmitted over a fiber-optic link in an electrically noisy environment.

## Connecting to Remote Switches for Tone Activation

The 300VSC tones can be activated remotely by any normally open, low-current switch contacts with a current capacity of at least 50 mA inductive. Figure 4 illustrates the connection of switch contacts to the 300VSC. The designations S1, S2, S3 and S4 represent remote switch contacts such as those found in flow switches, program clocks, heat detectors, and smoke detectors. The remotely activated tone sounds as long as the activating contacts remain closed.

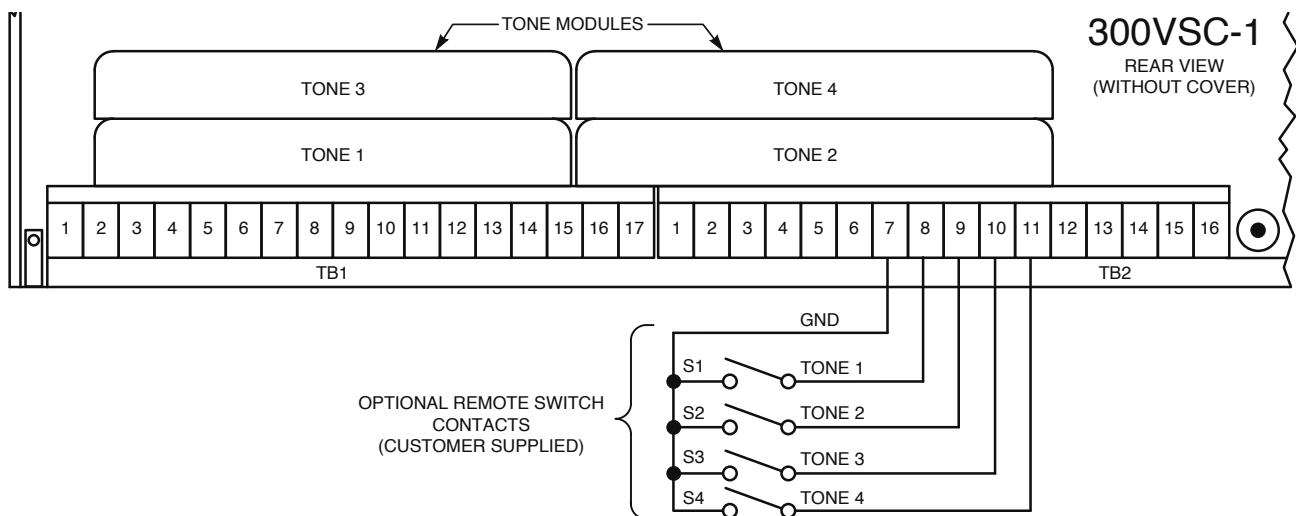
### Installing SelecTone Tone Modules

**⚠ WARNING**

**SHOCK HAZARD** — Do not perform any installation or maintenance on this system when power is on. Because the 300VSC does not have a power switch, ensure that the power is disconnected before proceeding. Failure to heed this warning may cause serious injury or death.

See Figure 4. The 300VSC can accommodate up to four SelecTone tone modules of your choice. To install the tone modules, insert them into the desired receptacles on the printed circuit board. The receptacles for **TONE 1** module and **TONE 2** module are located on the motherboard. Receptacles for **TONE 3** module and **TONE 4** modules are located on the card that plugs into the motherboard.

Figure 4 Remote switch contacts for tone modules 1 through 4



## Two Methods of Supplying Power to the SelecTone System

The two basic methods of supplying power to a SelecTone system are 120 Vac 50/60 Hz local power and 24 Vdc central power. The next paragraphs describe each method along with the advantages and disadvantages.

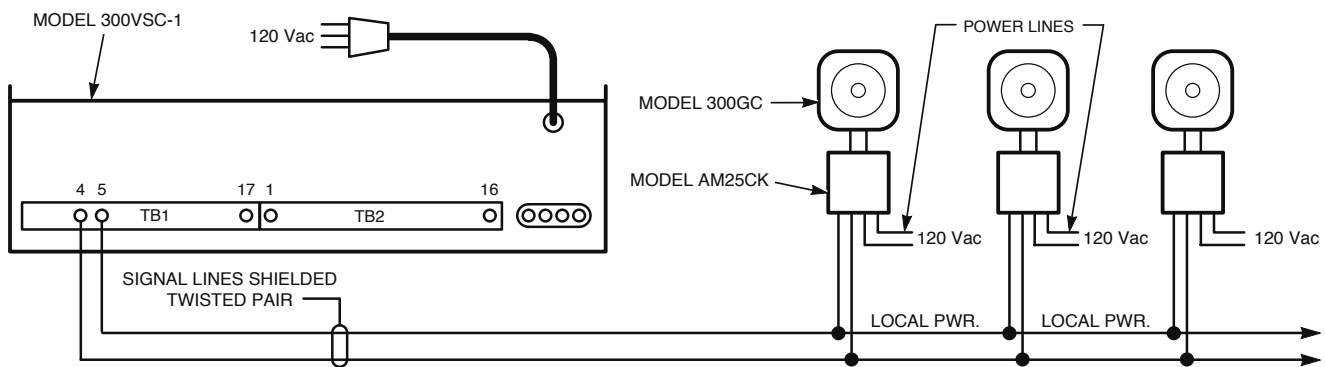
### 120 Vac 50/60 Hz Local Power



**INSTALLATION PRECAUTION** — *Improper installation could render this system inoperable, interfering with the warning nature of this product. The installation must conform to applicable local and/or National Electrical codes.*

See Figure 5. In this system, power is supplied to each remote SelecTone device by connecting it to a 120 Vac supply in the immediate vicinity of the device. If an emergency power source is required, a central power system as described below should be employed.

Figure 5 Typical local power system



### 24 Vdc Central Power

See Figure 6 on page 15. In the central power system, all of the remote amplifier power lines are connected in parallel to one or more centrally located power sources that are 24 Vdc.

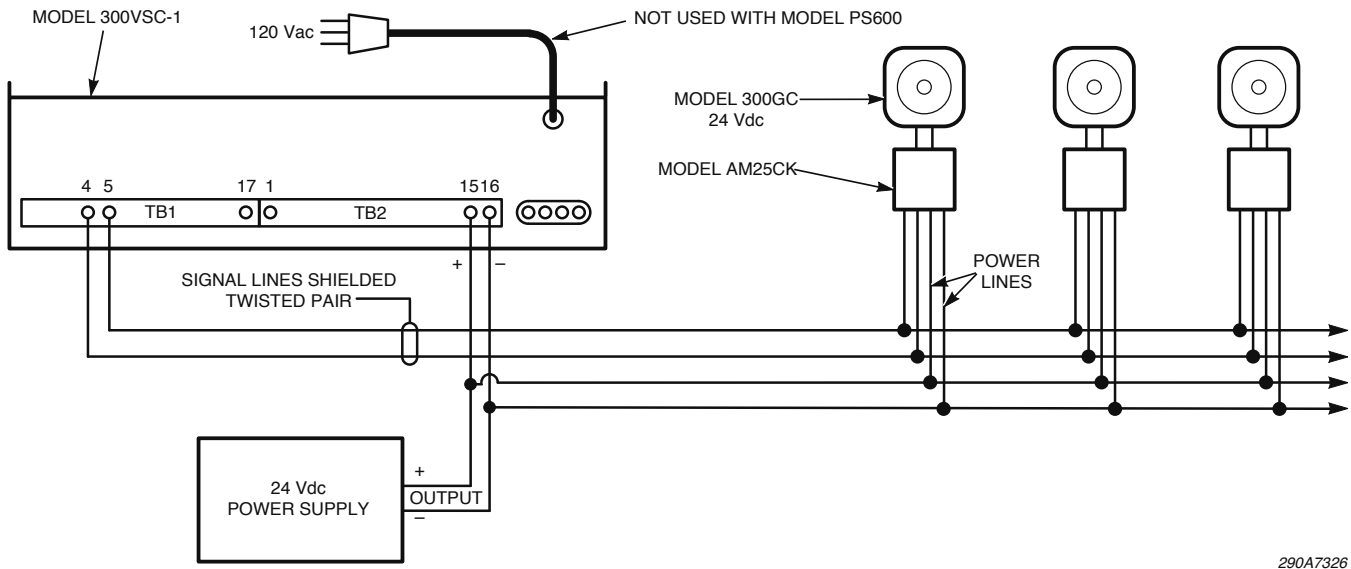
The advantages of a central power system are:

- ✓ The entire system may be independent of local line voltage.
- ✓ The entire system can be switched to an emergency standby power source in the event of a power failure.
- ✓ The central power system has the added advantage that an auxiliary power supply, such as the Federal Signal Model PS600 can be used to power the remote devices in the SelecTone system. If the PS600 is used, it is not necessary to switch the power source if a power failure occurs.

The disadvantages of a central power system are:

- ✓ Heavy power lines are required from the power source to the remote devices in the system. The size of the power lines is dependent upon the number of amplifiers and the total distance of the power loop in order to minimize the voltage drop while a tone signal is being generated.
- ✓ Future expansion is limited by the current capacity of the power source and the power lines that were initially installed.
- ✓ Central power installations must comply with local electrical codes. Most power circuits are Class I circuits. Therefore, conduit will probably be required. Installation costs are higher than a local power system.

**Figure 6** Typical central power system



290A7326

## Connecting Power to the SelecTone System

**⚠ WARNING**

**INSTALLATION PRECAUTION** — *This device is to be installed by a trained electrician who is thoroughly familiar with the national electrical code and local codes and will follow the guidelines.*

**⚠ WARNING**

**SHOCK HAZARD** — *Do not perform any installation or maintenance on this system when power is on. Because the 300VSC does not have a power switch, ensure that the power is disconnected before proceeding. Failure to heed this warning may cause serious injury or death.*

**⚠ WARNING**

**CROSSTALK/INTERFERENCE HAZARD** — *Cross talk, interference, or hum can be induced in signal lines, causing poor audio output or confusing messages, which interferes with the emergency warning capability of this equipment. Do not install power lines in the same conduit as signal lines.*

Connect operating power to the 300VSC by inserting the plug end of the line cord into any standard 120 volt, 60 Hz outlet. The 300VSC is factory-set for 120 Vac 50/60 Hz operation.

If using 24 Vdc either as a primary or auxiliary source of power, connect the “+” terminal of 24 Vdc power supply to the terminal TB2-15 (+24 Vdc) and “-” terminal of the 24 Vdc power supply to the terminal TB2-16 (-24 Vdc) of the TB2 terminal block located in the back of 300VSC.

## **Safety Messages to Maintenance Personnel**

### **⚠ WARNING**

This device is to be serviced by a trained electrician who is thoroughly familiar with the National Electric Code and will follow the NEC guidelines as well as local codes.

This service information is for qualified personnel only. To avoid electric shock, do not perform any servicing other than changing fuses, unless qualified to do so. Refer all servicing to qualified service personnel.

Listed below are some important safety instructions and precautions you should follow:

- Read and understand all instructions before operating this system.
- Do not perform any maintenance on this system when power is on. Because the 300VSC does not have a power switch, ensure that the power is disconnected before proceeding.
- Always insure that the power to the 300VSC is disconnected before removing the metal cover.
- Do not disconnect or connect this unit to the system when power is on.
- All effective warning speakers produce loud sounds which may cause, in certain situations, permanent hearing loss. You should take appropriate precautions such as wearing hearing protection.
- After installation, test the sound system to ensure proper operation.
- Establish a procedure to routinely check the sound system for proper activation and operation.

Failure to follow all safety precautions and instructions may result in property damage, serious injury, or death.

## **Getting Replacement Parts**

Typical replacement parts are listed below. To order the accessories and replacement parts in Table 2, please call Federal Signal Customer Support at 708-534-4756 or 877-289-3246.

**Table 2** Replacement parts

<b>Description</b>	<b>Part Number</b>
Motherboard	K2001154
Switch board (300VSC-1)	K2001147
Tone card connector board	K2001164
Connector plug, TB1, 17-position	K140A332-17
Connector plug, TB2, 16-position	K140A332-16

## **Getting Repair Service or Technical Assistance**

Products returned for repair require a Return Authorization form from your local distributor or from Federal Signal. To obtain repair service or technical assistance from Federal Signal, call 708-534-4756 or 877-289-3246. For instruction manuals and information on related products, visit: <http://www.federal-signal-indust.com>.



## **Returning a Product for Credit**

Product returns for credit require a return authorization from your local distributor prior to returning the product to Federal Signal. Please contact your distributor for assistance.

A product is qualified to be returned for credit when the following conditions are met:

- Product is resalable and in the original cartons
- Product has not been previously installed
- Product is the current revision
- Product has not been previously repaired
- Product is a standard product
- Product is not a service part

All returns are subject to a re-stock fee.

Defective products that are returned within the warranty period will be repaired or replaced at Federal Signal's sole discretion. Defective products do not include those products with lamp failure.

Circumstances other than those listed above will be addressed on a case-by-case basis.



**Industrial Systems**

2645 Federal Signal Drive • University Park, IL 60484-3167

Tel: 708-534-4756 • 877-289-3246 • Fax: 708-534-4852

Email: [elp@federalsignal.com](mailto:elp@federalsignal.com) • [www.federalsignal-indust.com](http://www.federalsignal-indust.com) • [www.fs-isys.com](http://www.fs-isys.com)



**FEDERAL SIGNAL**

Safety and Security Systems / Industrial

*Advancing security and well-being.*

## **Systèmes de commande SelecTone<sup>MD</sup> 300VSC-1 et 300VSC-1044SB**



*modèle 300VSC-1044SB*

*modèle 300VSC-1*

*modèle MSB-1*

---

### ***Manuel d'installation et d'entretien***

2561044F  
Rev. F0 913  
Imprimé aux États-Unis



**Garantie** – Le vendeur offre pour tous les produits une garantie de cinq ans sur les pièces et de 2,5 ans sur la main-d'oeuvre, selon les conditions et exceptions suivantes : le vendeur garantit que tous les produits qu'il fabrique seront conformes aux descriptions correspondant aux spécifications qui font expressément partie de ce contrat de vente et qu'au moment de la vente par le vendeur, de tels produits devront être exempts de défauts de matériel et de fabrication. Le vendeur se réserve le droit, à sa discrétion, de « réparer et renvoyer » ou de « remplacer » tout article jugé défectueux durant la période de garantie. Cette garantie ne couvre pas les frais de voyage, le coût de l'équipement spécialisé pour avoir accès au produit ou les frais de main-d'oeuvre liés au retrait et à la réinstallation du produit. Cette garantie sera inopérante et ne s'appliquera pas aux produits qui ont subi un mauvais usage, une négligence, un accident, des dommages ou un entretien inapproprié, ou aux produits modifiés ou réparés par toute personne autre que le vendeur ou son représentant autorisé, ou si cinq ans se sont écoulés depuis la date de l'envoi des produits par le vendeur avec les exceptions suivantes : les lampes et les tubes stroboscopiques ne sont pas couverts par cette garantie. Les sirènes d'alarme extérieures et les appareils de contrôle fabriqués par Federal Warning Systems sont couverts par une garantie de deux ans sur les pièces et de un an sur la main-d'oeuvre. Aucun agent, employé, représentant ou distributeur du vendeur n'a autorité pour lier celui-ci à une représentation, affirmation ou garantie relative aux produits et une telle représentation, affirmation ou garantie ne pourra pas être considérée comme faisant partie des généralités du contrat de vente et sera inexécutable. LES GARANTIES CI-DESSUS SONT EXCLUSIVES ET TIENNENT LIEU DE TOUTES LES AUTRES GARANTIES DE QUALITÉ MARCHANDE, DE COMPATIBILITÉ À UN USAGE PARTICULIER OU D'UN AUTRE TYPE, QU'ELLES SOIENT EXPRESSES OU IMPLICITES. Ces garanties ne s'appliqueront pas si le vendeur n'a pas la possibilité raisonnable d'enquêter sur toutes les réclamations de produits présumés défectueux. À la demande du vendeur, un seul échantillon des produits présumés défectueux lui sera renvoyé pour inspection et approbation. La raison de toute réclamation pour des défauts présumés dans les produits ne pouvant être découverts après une inspection raisonnable en vertu du paragraphe 8 ci-contre doit être entièrement expliquée par écrit et reçue par le vendeur dans les trente jours après que l'acheteur a pris connaissance du défaut. Sinon, une telle réclamation sera considérée comme nulle.



2645 Federal Signal Drive • University Park, IL 60484  
Tel: 708-534-4756 • 877-289-3246. Fax: 708-534-4852  
elp@fedsig.com • www.federal-signal-indust.com • www.fs-isys.com

---

## Tableau des matières

<b>Avertissement de sécurité destiné aux installateurs des produits Federal Signal.....</b>	<b>23</b>
<b>Déballage du produit.....</b>	<b>23</b>
<b>Aperçu du produit .....</b>	<b>23</b>
Dimensions et caractéristiques du châssis .....	24
Caractéristiques du panneau avant.....	24
Caractéristiques du circuit de commande.....	24
Bouton CANCEL.....	25
Bouton TEST .....	25
Puissance nécessaire .....	25
Entrées audio .....	25
<b>Recommandation concernant les lignes d'acheminement des signaux .....</b>	<b>28</b>
Branchement des lignes d'acheminement des signaux .....	29
<b>Branchement aux appareils à distance.....</b>	<b>29</b>
Utilisation de lignes symétriques.....	29
Utilisation de lignes dissymétriques .....	30
Branchement d'une sortie audio de faible intensité .....	31
<b>Branchement à des interrupteurs à distance permettant d'activer les tonalités .....</b>	<b>31</b>
Installation des modules de tonalité SelecTone .....	31
<b>Deux méthodes d'alimentation du système SelecTone.....</b>	<b>32</b>
Alimentation locale de 120 Vcc et 50/60 Hz.....	32
Alimentation centrale de 24 Vcc .....	32
<b>Branchement de l'alimentation au système SelecTone.....</b>	<b>33</b>
<b>Messages de sécurité destinés au personnel d'entretien .....</b>	<b>34</b>
<b>Obtention de pièces de rechange.....</b>	<b>34</b>
<b>Service de réparation et assistance technique .....</b>	<b>35</b>
<b>Renvoi du produit pour obtention d'un crédit.....</b>	<b>35</b>

### Tableaux

<b>Tableau 1</b> Caractéristiques techniques .....	<b>26</b>
<b>Tableau 2</b> Pièces de rechange .....	<b>34</b>

---

## Figures

<b>Figure 1</b>	Raccordements à l'arrière de 300VSC Modèle .....	29
<b>Figure 2</b>	AM25CK connections (balanced line).....	30
<b>Figure 3</b>	Branchements de l'ensemble 300CK (ligne dissymétrique) .....	30
<b>Figure 4</b>	Contacts d'interrupteur à distance pour modules de tonalité 1 à 4 .....	31
<b>Figure 5</b>	Système type d'alimentation locale .....	32
<b>Figure 6</b>	Système type d'alimentation centrale.....	33

## Avertissement de sécurité destiné aux installateurs des produits Federal Signal

### **▲AVERTISSEMENT**

Des vies dépendent de la manière dont vous installez et entretenez les produits de Federal Signal. Il est important de lire et de respecter les instructions qui accompagnent ce produit. De plus, voici d'autres précautions et instructions importantes à observer en matière de sécurité :

- Cet appareil doit être installé par un électricien qualifié qui connaît parfaitement le Code national de l'électricité ou les codes locaux et en suivra les directives.
- Consultez les autorités compétentes de votre région concernant la bonne utilisation et l'installation de ce produit.
- Le choix du lieu d'installation de l'appareil, les commandes et le passage des câbles doivent s'effectuer sous la direction de l'ingénieur des installations et de l'ingénieur de la sécurité.
- Il faut bien lire et comprendre toutes les instructions avant d'installer ou d'utiliser cet appareil.
- Ne branchez pas cet appareil au réseau lorsqu'il est allumé.
- La diffusion sonore sera considérablement réduite si des objets se trouvent devant le haut-parleur. Faites en sorte que cet emplacement soit dégagé.
- Tous les haut-parleurs d'avertissement efficaces produisent des sons forts susceptibles, dans certaines situations, d'entraîner une perte auditive permanente. Prenez les précautions qui s'imposent, par exemple, en portant un dispositif de protection antibruit.
- Après l'installation, testez le système sonore pour vérifier son bon fonctionnement.
- Montrez ces instructions à votre ingénieur de la sécurité, puis classez-les en lieu sûr et consultez-les lorsque vient le moment d'entretenir ou de réinstaller l'appareil.
- Établissez une procédure de vérification régulière de l'activation et du bon fonctionnement du système sonore.

Le non-respect de toutes les précautions et instructions de sécurité peut provoquer des dommages à la propriété, des blessures graves voire la mort.

### **Déballage du produit**

Après avoir déballé le produit, inspectez-le pour vérifier qu'aucun dommage n'est survenu lors du transport. Si le modèle 300VSC-1 ou 300VSC-1044B a été endommagé, n'essayez pas de l'installer ou de l'utiliser. Déposer immédiatement une réclamation auprès du transporteur en précisant l'étendue des dégâts. Vérifier avec soin toutes les enveloppes, étiquettes d'expédition et autres étiquettes avant de les retirer ou de les détruire. La mise au rébus de tout matériel de transport doit être effectuée conformément aux normes et codes locaux et nationaux. En cas de pièces manquantes, communiquez avec le Service à la clientèle de Federal Signal au 708-534-4756 ou au 877-289-3246.

### **Aperçu du produit**

Le système de commande SelecToneMD 300VSC est un dispositif de commande centralisée pouvant produire jusqu'à quatre tonalités sur une ligne branchée à un haut-parleur ou à des amplificateurs à distance d'un système SelecTone. Le modèle 300VSC peut commander des lignes d'acheminement des signaux vers des haut-parleurs ou des amplificateurs des modèles Federal Signal 300GC, 300GCX, 300X, 302GC,

302GCX, 302X et 50GC ainsi que vers d'autres dispositifs conçus pour fonctionner avec un système SelecTone. Il peut également commander des signaux vers des haut-parleurs conçus pour des lignes de 25 Vrms. Le modèle 300VSC possède une fonction de sonorisation permettant d'annoncer des instructions ou des messages vocaux sur le système SelecTone grâce à un microphone MSB-1 ou MNC-1 en option. L'appareil peut également servir à diffuser sur le système SelecTone de la musique de fond provenant d'une source externe.

Le modèle MNC-1 est un microphone antibruit à main idéal pour une utilisation locale. Le modèle MSB-1 est un microphone de station de base prévu pour être utilisé sur un bureau.

Le modèle 300VSC-1 est destiné à être installé à l'extérieur, sur un bureau ou une surface plate.

Le modèle 300VSC-1044B s'installe sur un bâti. Il est livré avec la quincaillerie de montage. Il convient à toutes les armoires à bâti standard de 48 cm (19 po).

Le modèle 300VSC produit et amplifie des tonalités et des signaux audio et les transmet par des lignes d'acheminement des signaux vers les appareils SelecTone à distance du système. Chaque dispositif SelecTone doit être branché à la ligne d'acheminement des signaux à l'aide d'un ensemble connecteur AM25CK. Les haut-parleurs de 25 volts se branchent directement à la sortie de 25 volts. Le modèle 300VSC est conçu pour accueillir jusqu'à quatre modules de tonalité de votre choix. Les tonalités sont désignées par les noms Tone 1, Tone 2, Tone 3 et Tone 4. Chacune d'entre elles peut être activée manuellement de manière locale grâce au bouton correspondant du panneau avant, ou à distance en fermant le contact de l'entrée associée. Lorsqu'une tonalité est activée, que ce soit localement ou à distance, le voyant DEL correspondant du panneau avant clignote pour l'indiquer. Il reste allumé jusqu'à ce que la tonalité soit désactivée et que le contact soit rouvert. Toutes les commandes du modèle 300VSC se trouvent sur son panneau avant.

Les détails et les fonctions du produit sont décrits dans les sections suivantes. Pour obtenir l'intégralité des caractéristiques techniques du produit, consultez le tableau 1, aux pages 26 à 28.

### ***Dimensions et caractéristiques du châssis***

Le modèle 300VSC-1 consiste en un boîtier noir d'aluminium brossé composé de deux parties, d'une largeur de 26,67 cm (10,50 po), d'une profondeur de 23,50 cm (9,25 po) et d'une hauteur de 6,18 cm (2,44 po) environ. Il se pose sur une surface plate horizontale ou s'installe au mur grâce aux supports muraux fournis dans l'ensemble d'accessoires. Le boîtier est assemblé à l'aide de quatre vis, dont deux sont situées sur le dessous, près de l'avant et les deux autres à l'arrière, près des borniers.

Le modèle 300VSC-1044SB est constitué d'un boîtier d'aluminium en trois parties. Peint en noir, il mesure 48,26 cm (19 po) de largeur, 25,40 cm (10 po) de profondeur et 8,89 cm (3,5 po) de hauteur. L'appareil est installé dans une armoire à bâti standard de 48,26 cm (19 po).

### ***Caractéristiques du panneau avant***

Les interrupteurs du panneau avant portent les mentions TONE 1 à TONE 4, AUX, TEST et CANCEL. Il est possible d'indiquer la nature de tonalité correspondant à chaque interrupteur en écrivant son nom dans la zone blanche toute proche à l'aide d'un marqueur permanent à pointe de feutre. Si vous changez de tonalité ou de message, effacez la mention en frottant légèrement à l'aide d'un chiffon imbibé d'alcool dénaturé. Pour éviter d'abîmer les interrupteurs, veillez à ce que l'alcool n'entre pas en contact avec eux.

### ***Caractéristiques du circuit de commande***

Le circuit de commande du modèle 300VSC a une fonction de priorité intégrée. Si une tonalité dont la priorité est plus élevée est activée localement ou à distance alors qu'une tonalité donnée sonne déjà,



la première a automatiquement préséance sur la deuxième. Toutefois, le voyant DEL du bouton de la deuxième tonalité reste allumé pour indiquer qu'elle reste activée. Lorsque la tonalité prioritaire est désactivée, le voyant DEL du bouton s'éteint et la tonalité moins prioritaire retentit de nouveau.

Le bouton **CANCEL** permet de désactiver les tonalités actives. La priorité la plus élevée est accordée au microphone local. Le numéro associé aux tonalités correspond à leur ordre séquentiel de priorité. En outre, toutes les tonalités ont priorité sur la sonorisation à distance et sur la musique de fond.

Étant donné que la tonalité 1 (Tone 1) a priorité sur toutes les autres, le module TM9 « Hululement lent » est souvent installé à la position Tone 1 comme signal d'alarme. Lorsque le modèle 300VSC est activé hors du mode Test (voir « Bouton **TEST** » ci-dessous), un relais intégré ouvre un ensemble de contacts repos et ferme une série de contacts travail, ce qui permet d'envoyer un signal d'alarme à d'autres services ou circuits d'urgence. Pour connaître les types de tonalités à utiliser, consultez les codes locaux.

### **Bouton CANCEL**

Le bouton **CANCEL** (Annuler) réinitialise toutes les fonctions de signalisation du modèle 300VSC activées manuellement. En outre, il établit une fermeture temporaire de contact sec, ce qui facilite la réinitialisation à distance des autres circuits d'alarme. Le contact reste fermé tant que vous appuyez sur le bouton **CANCEL** (Annuler). L'activation à distance ne pourra pas être réinitialisée tant que la fermeture sera maintenue à l'entrée à distance.

### **Bouton TEST**

Le bouton **TEST** permet de tester les tonalités sans activer les haut-parleurs sur des circuits dissymétriques d'acheminement des signaux. Pendant le test, la tonalité n'est produite que dans le moniteur de contrôle se trouvant dans le boîtier. Le bouton **TEST** permet également d'annuler les fausses alarmes. Une fois que vous avez appuyé sur le bouton, le voyant DEL reste allumé pour vous rappeler d'appuyer sur le bouton **CANCEL** lorsque le test est terminé ou que la fausse alarme est annulée.

### **Puissance nécessaire**

#### **⚠ AVERTISSEMENT**

**RISQUE DE DÉCHARGE ÉLECTRIQUE** – Pour éviter qu'il soit éteint par accident, le modèle 300VSC ne possède pas d'interrupteur d'alimentation et reste sous tension jusqu'à ce que l'alimentation soit coupée. Avant une installation ou l'entretien, débranchez l'alimentation du modèle 300VSC.

Le panneau avant est équipé d'un voyant DEL vert qui indique la présence d'énergie primaire. Le modèle 300VSC peut être alimenté en 120 Vca ou 24 Vcc. Un cordon électrique permet de l'alimenter en 120 Vca, tandis que les borniers arrière servent à l'alimentation en 24 Vcc.

### **Entrées audio**

Il est possible de brancher directement un microphone au modèle 300VSC en utilisant les fiches modulaires se trouvant à l'avant. La priorité la plus élevée est accordée au microphone. Des bornes à vis sont cependant prévues au dos du modèle 300VSC pour l'entrée d'un signal audio de faible intensité et de basse impédance. Les borniers permettent de coupler l'audio provenant d'un système téléphonique de PBX avec l'interface adaptée fournie par la compagnie de téléphone. Cette entrée permet également le branchement direct d'un microphone distant à basse impédance avec bouton micro distinct, qui a la priorité sur les tonalités. La fiche RCA située au dos du châssis permet de recevoir des signaux audio standard de 1 volt provenant d'une source émettrice de musique de fond comme un récepteur radio, un lecteur de CD ou un lecteur de cassettes.

**Tableau 1** Caractéristiques techniques

**Puissance à l'entrée**

Tension d'entrée	120 Vca, 50 Hz à 60 Hz
Courant d'attente	50 mA, 120 Vca
Courant de fonctionnement	210 mA (max)
Consommation électrique	26 W (max.)

**Entrée de l'alimentation de secours**

Tension d'entrée	22 Vcc à 32 Vcc
Courant d'attente	90 mA
Courant de fonctionnement	760 mA

**Entrées audio**

*Sonorisation locale (avec microphone MSB-1 en option)*

Impédance d'entrée	5 k $\Omega$
Tension d'entrée	16 mVrms (max)

*Microphone à distance*

Impédance d'entrée	5 k $\Omega$
Tension d'entrée	16 mVrms (max)

*Entrée auxiliaire*

Impédance d'entrée	5 k $\Omega$
Tension d'entrée	500 mVrms (max.)

**Sorties audio**

*Impédance de sortie*

Ligne dissymétrique d'acheminement des signaux	25 $\Omega$ (max.)
Ligne dissymétrique d'acheminement des signaux, en attente	120 $\Omega$
Ligne symétrique d'acheminement des signaux	40 $\Omega$ (max.)
Ligne d'acheminement des signaux à faible intensité	600 $\Omega$

*Seuils de tensions de sortie, hors charge (taux d'harmoniques < 3 %)*

Ligne dissymétrique d'acheminement des signaux	9 Vrms
Ligne symétrique d'acheminement des signaux	17 Vrms
Ligne d'acheminement des signaux à faible intensité	1 V crête à crête

*Seuils de tension de sortie, charge max. (taux d'harmoniques < 3 %)*

Ligne dissymétrique d'acheminement des signaux	8 Vrms (25 $\Omega$ load)
Ligne symétrique d'acheminement des signaux	15 Vrms (40 $\Omega$ load)
Ligne d'acheminement des signaux à faible intensité	1 V crête à crête (600 $\Omega$ charge)

**Tableau 1** Caractéristiques techniques (suite)

*Seuils de tension de sortie, hors charge (en ondes carrées)*

Ligne dissymétrique d'acheminement des signaux	12 Vrms
Ligne symétrique d'acheminement des signaux	25 Vrms
Ligne d'acheminement des signaux à faible intensité	1 V crête à crête

*Seuils de tension de sortie de la tonalité, charge max. (en ondes carrées)*

Ligne dissymétrique d'acheminement des signaux	12 Vrms (25 Ω charge)
Ligne symétrique d'acheminement des signaux	20 Vrms (40 Ω charge)
Ligne d'acheminement des signaux à faible intensité	0.56 Vrms (600 Ω charge)

**Réponse audiofréquence, ligne symétrique d'acheminement des signaux**

*Charge max. de 40 Ω, de 250 Hz à 80 kHz*

(référence 1 kHz)	-3 dB
-------------------	-------

*Charge max. de 40 Ω, de 450 Hz à 60 kHz*

(référence 1 kHz)	-1 dB
-------------------	-------

*Hors charge, de 100 Hz à 90 kHz*

(référence 1 kHz)	-3 dB
-------------------	-------

*Hors charge, de 200 Hz à 60 kHz*

(référence 1 kHz)	-1 dB
-------------------	-------

*Rapport signal sur bruit (taux d'harmoniques < 3 %)*

Sonorisation locale	60 dB
Micro à distance	40 dB
Entrée aux.	80 dB

*Distorsion audio de l'entrée aux. vers le signal symétrique*

Sortie de ligne (charge de 40 Ω)	2 %
----------------------------------	-----

**Haut-parleur interne**

Niveau sonore à 1 mètre	65 dB
-------------------------	-------

**Circuit d'activation à distance de la tonalité**

Type	Fermeture de contact sec
Impédance de ligne	100 Ω (max.)
Courant du circuit	50 mA (max.) (12 Vdc)

**Circuit d'activation à distance du microphone (avec bouton micro)**

Type	Fermeture de contact sec
Impédance de ligne	100 Ω (max.)
Courant du circuit	10 mA (max.) (12 Vcc)

**Sorties de fermeture de contact à distance**

*Relais Tone 1, Tone 2, Tone 3, Tone 4, Sig. Out, Aux., Test et Cancel*

Type	Fermeture de contact sec
Catégorie	24 Vcc, 1 A, résistif

**Tableau 1** Caractéristiques techniques (suite)

**Rapport signal sur bruit (taux d'harmoniques < 3 %)**

Sonorisation locale	60 dBA
Micro à distance	40 dBA
Entrée aux.	80 dBA

**Distorsion audio de l'entrée aux. au signal symétrique**

Sortie de ligne (charge de 40 $\Omega$ )	2 %
--	-----

**Fusibles**

F1	Type GMC-1, 1 A, 250 V
F2	Type GMC-1/2, 1/2 A, 250 V

**Dimensions et poids**

*Modèle VSC-1*

Poids	4,3 lb (1,95 kg)
Dimensions (L, P, H)	10,5 po x 9,25 po x 2,44 po 26,67 cm x 23,50 cm x 6,20

*Modèle VSC-1044SB*

Poids	7,9 lb (3,58 kg)
Dimensions (L, P, H)	48,26 cm x 24,40 cm x 8,89 cm (19,0 po x 10,0 po x 3,5 po)

---

**Recommandation concernant les lignes d'acheminement des signaux**

---

**⚠ AVERTISSEMENT**

**RÉDUCTION DE LA SORTIE SONORE** – *Si un câble d'un diamètre trop petit est utilisé, il se produira une chute inacceptable de la tension du signal dans la ligne d'acheminement des signaux, ce qui réduira la sortie du son de l'appareil de signal à distance. N'utilisez que des câbles d'un diamètre supérieur à 22 AWG.*

---

Les lignes d'acheminement des signaux transfèrent les tonalités et les messages verbaux de l'appareil 300VSC vers les dispositifs SelecTone à distance. Pour réduire les risques de diaphonie, de bourdonnement et de bruits parasites, les lignes d'acheminement des signaux doivent être faites de câbles audio à paires torsadées blindées. La plupart des systèmes utilisent des câbles audio à paires torsadées blindées de diamètre 18 AWG. Pour les raisons suivantes, Federal Signal déconseille l'utilisation de lignes téléphoniques neuves ou déjà posées pour acheminer les signaux dans un système SelecTone :

- ✓ Interférences provenant d'autres services ou systèmes, ou du système ou autres services
- ✓ Diaphonie, interférences ou bourdonnements générés par d'autres lignes téléphoniques
- ✓ Coût supplémentaire découlant de l'installation, des interfaces et des frais mensuels par rapport au coût unique de l'installation
- ✓ Coût supplémentaire découlant de l'installation, des interfaces et des frais mensuels par rapport au coût unique de l'installation

## Branchement des lignes d'acheminement des signaux

### ⚠️ AVERTISSEMENT

**RISQUES DE DIAPHONIE ET D'INTERFÉRENCE** – L'utilisation combinée de lignes électriques avec des lignes d'acheminement des signaux peut provoquer la diaphonie, des interférences ou du bourdonnement sur ces dernières, et compromettre les fonctions d'avertissement d'urgence de cet équipement. N'installez aucune ligne électrique dans le conduit où passent les lignes d'acheminement des signaux.

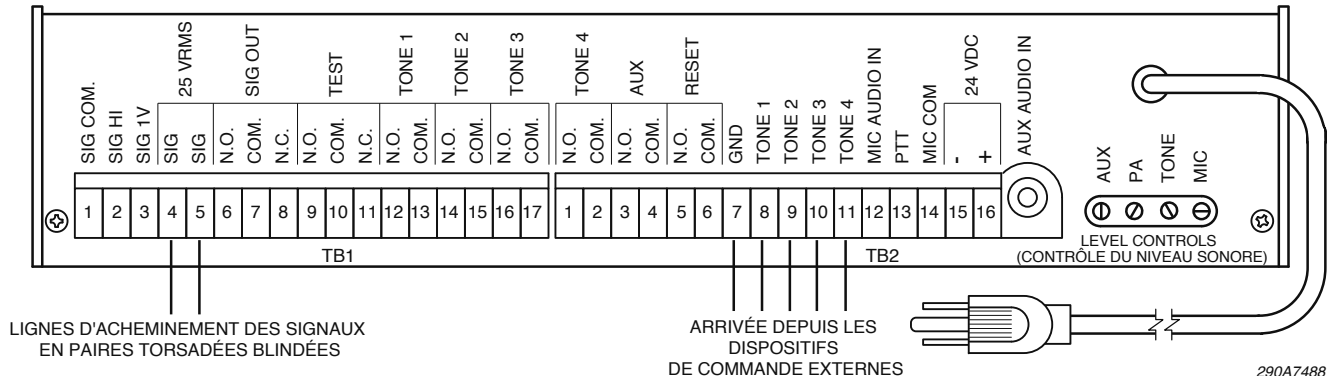
### ⚠️ AVERTISSEMENT

**RISQUE DE DÉCHARGE ÉLECTRIQUE** – N'installez pas de lignes d'acheminement des signaux dans le conduit où passent des lignes électriques. Évitez de passer des lignes d'acheminement des signaux dans des chemins où passent des lignes à haute tension.

Consultez la figure 1. Pour brancher les lignes d'acheminement des signaux du système SelecTone au modèle 300VSC, branchez des câbles audio à paires torsadées et à code-couleur dont les conducteurs sont d'un calibre supérieur ou égal à 18 aux bornes TB1-4 et TB1-5 du bornier TB1. Chaque appareil de signalisation à distance SelecTone du système peut être branché à ces lignes en parallèle ou en série.

En ce qui concerne les haut-parleurs de 25 Vrms qui ne sont pas de la marque SelecTone, comme les haut-parleurs de plafond, branchez directement les lignes d'acheminement des signaux aux bornes TB1-4 et TB1-5 du bornier TB1. Il faut tenir compte des affaiblissements de ligne d'acheminement des signaux lorsque vous calculez le nombre de haut-parleurs pouvant être branchés au modèle 300VSC.

Figure 1 Raccordements à l'arrière de 300VSC Modèle



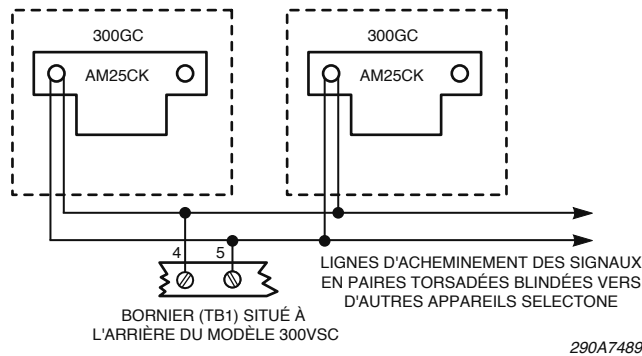
## Branchement aux appareils à distance

Installez le ou les appareils SelecTone à distance en respectant les instructions qui les accompagnent.

### Utilisation de lignes symétriques

Les haut-parleurs 300GC, 300GCX, 300X, 302GC, 302GCX, 302X et 50GC exigent l'utilisation d'un ensemble connecteur AM25CK destiné à la sortie de signal symétrique du modèle 300VSC. Cet ensemble permet de faire aboutir les lignes symétriques d'acheminement des signaux vers l'amplificateur dans les haut-parleurs 300GC, 300GCX, 300X, 302GC, 302GCX, 302X et 50GC. Comme illustré à la figure 2 de la page 30, branchez les fils d'entrée blancs de l'ensemble AM25CK aux bornes TB1-4 et TB1-5 du bornier TB1 de l'appareil 300VSC. Les ensembles connecteurs AM25CK et AM70CK ne sont PAS sensibles à la polarité, mais il faut toutefois respecter cette dernière si vous placez les haut-parleurs près l'un de l'autre.

**Figure 2** AM25CK connections (balanced line)



Branchez directement les haut-parleurs de 25 Wrms fonctionnant sur la ligne à la sortie de signal symétrique du modèle 300VSC.

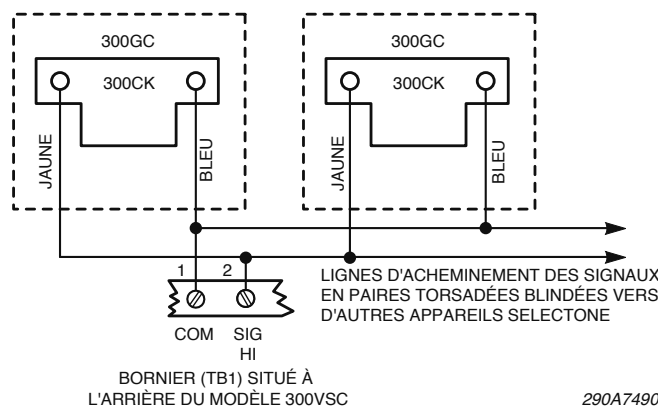
Branchez les haut-parleurs en parallèle aux bornes TB1-4 et TB1-5 du bornier TB1 de l'appareil 300VSC. Contrairement à la sortie de ligne dissymétrique, cette sortie n'est pas commutée.

**IMPORTANT :** N'utilisez la sortie de signal symétrique que si aucun appareil du système SelecTone n'est branché à la sortie de signal dissymétrique (TB1-1 et TB1-2).

### Utilisation de lignes dissymétriques

Consultez la figure 3. Si les systèmes SelecTone existant sont équipés de l'ensemble connecteur 300CK, utilisez les sorties de signal dissymétrique de l'appareil 300VSC. Il faut un ensemble connecteur 300CK pour brancher un haut-parleur 300GC, 300GCX, 300X, 302GC, 302GCX, 302X ou 50GC aux lignes dissymétriques d'acheminement des signaux. Cet ensemble permet de faire aboutir les lignes dissymétriques d'acheminement des signaux vers l'amplificateur dans les haut-parleurs 300GC, 300GCX, 300X, 302GC, 302GCX, 302X et 50GC. Branchez le fil bleu de l'ensemble 300CK au fil **SIG COM** de l'appareil 300VSC. Branchez le fil jaune de l'ensemble 300CK au fil **SIG HI** de l'appareil 300VSC.

**Figure 3** Branchements de l'ensemble 300CK (ligne dissymétrique)



### Branchement d'une sortie audio de faible intensité

Le modèle 300VSC possède également une sortie audio crête à crête de 1 volt pouvant être couplée à la sortie audio d'un autre amplificateur. Cette sortie à faible intensité est accessible aux bornes TB1-1 et TB1-2. Elle peut également être branchée à un émetteur analogique à fibres optiques, ce qui permet de transmettre le son par fibre optique dans un environnement à fortes interférences électriques..

### Branchement à des interrupteurs à distance permettant d'activer les tonalités

Il est possible d'activer les tonalités à distance du modèle 300VSC grâce à n'importe quel contact travail d'interrupteur à faible consommation d'un courant de régime d'au moins 50 mA de charge inductive. La figure 4 illustre le branchement des contacts d'interrupteur à l'appareil 300VSC. Les mentions S1, S2, S3 et S4 désignent les contacts d'interrupteur à distance comme ceux des interrupteurs de débit, des horloges de programme, des détecteurs de chaleur et des avertisseurs de fumée. Le son activé à distance retentit tant que les contacts restent fermés.

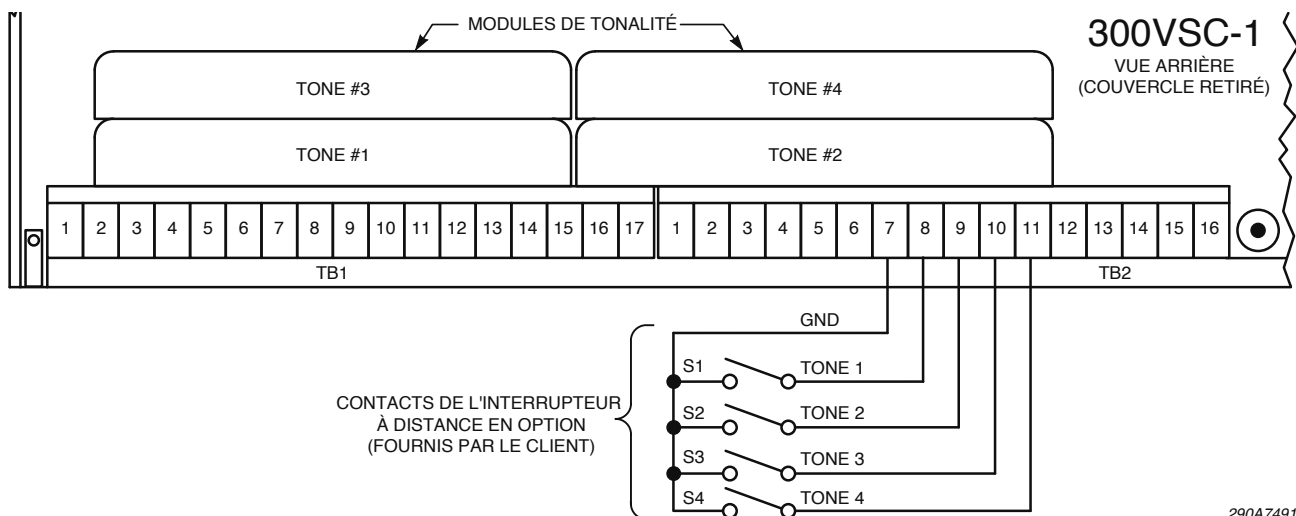
### Installation des modules de tonalité SelectTone



**RISQUE DE DÉCHARGE ÉLECTRIQUE** – *N'effectuez aucune installation ni entretien sur ce système tant qu'il est sous tension. Étant donné que le modèle 300VSC n'est pas équipé d'un interrupteur d'alimentation, vérifiez que l'alimentation est débranchée avant de poursuivre. Le non-respect de cet avertissement peut entraîner des blessures graves et même la mort.*

Consultez la figure 4. Le modèle 300VSC peut accueillir jusqu'à quatre modules de tonalité de votre choix. Pour les installer, insérez-les dans les prises correspondantes de la carte de circuits imprimés. Les prises destinées aux modules TONE 1 et TONE 2 se trouvent sur la carte mère. Les prises destinées aux modules TONE 3 et TONE 4 se trouvent sur la carte qui se branche à la carte mère.

Figure 4 Contacts d'interrupteur à distance pour modules de tonalité 1 à 4



290A7491

## Deux méthodes d'alimentation du système SelecTone

L'alimentation du système SelecTone peut se faire par alimentation locale en 120 Vcc à 50/60 Hz ou alimentation centrale en 24 Vcc. Les paragraphes suivants décrivent chacune des méthodes ainsi que leurs avantages et leurs inconvénients.

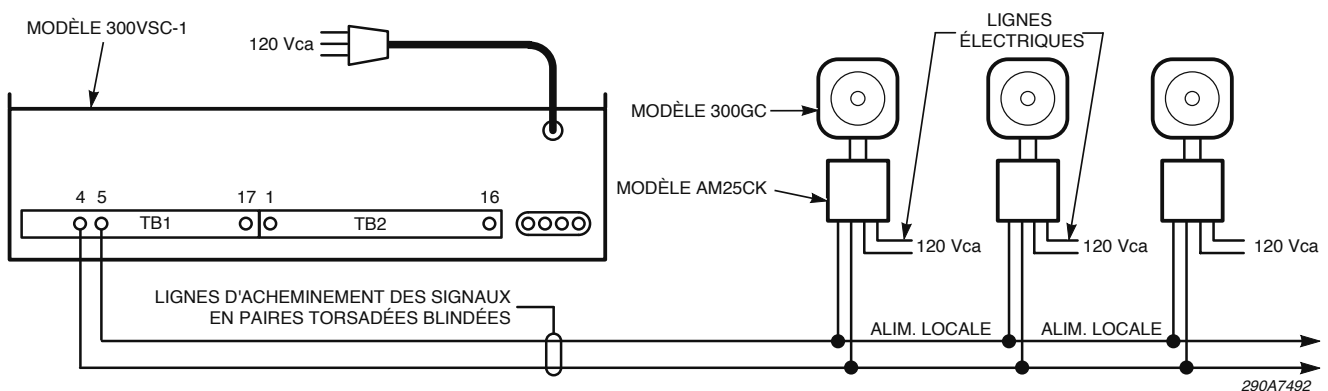
### ***Alimentation locale de 120 Vcc et 50/60 Hz***

#### **⚠ AVERTISSEMENT**

**PRÉCAUTIONS CONCERNANT L'INSTALLATION — Une mauvaise installation risque de rendre ce système inopérant, allant ainsi à l'encontre de sa vocation même d'avertisseur. L'installation doit se faire dans le respect des codes locaux et nationaux de l'électricité.**

Consultez la figure 5. Dans cette configuration, chaque appareil SelecTone à distance est branché à une alimentation de 120 Vca se trouvant à proximité. S'il est nécessaire d'utiliser une alimentation d'urgence, il faut utiliser l'alimentation centrale décrite plus bas.

**Figure 5** Système type d'alimentation locale



### ***Alimentation centrale de 24 Vcc***

Consultez la figure 6, page 33. Dans le système d'alimentation centrale, toutes les lignes électriques de l'amplificateur à distance sont branchées en parallèle à une ou plusieurs sources d'alimentation centrale de 24 Vcc.

Voici les avantages de l'alimentation centrale :

- ✓ L'ensemble du système est indépendante de la tension secteur locale.
- ✓ Il est possible de faire basculer l'ensemble du système sur une source d'alimentation de secours en cas de panne de courant.
- ✓ De plus, une alimentation auxiliaire, comme le modèle PS600 de Federal Signal, peut servir à alimenter les appareils à distance du système SelecTone. Si vous utilisez le PS600, il n'est pas nécessaire de basculer vers une alimentation de secours en cas de panne.

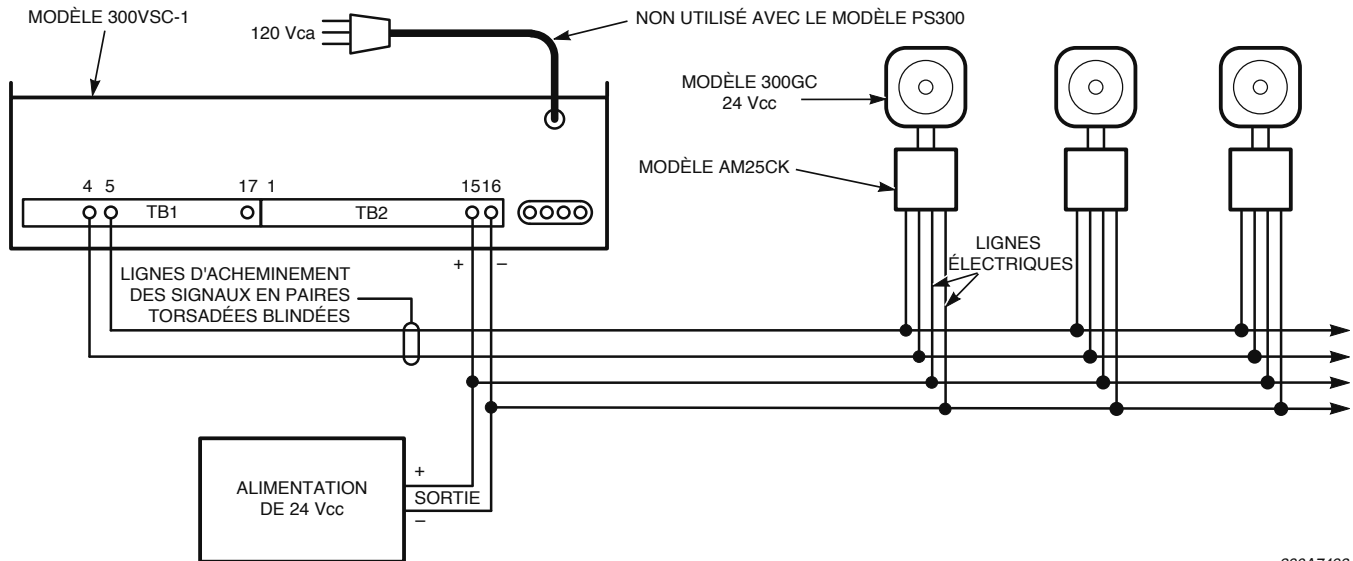
Voici les inconvénients de l'alimentation centrale :

- ✓ Il faut installer des lignes électriques robustes entre la source d'alimentation et les appareils à distance du système. Le calibre des lignes électriques doit tenir compte du nombre d'amplificateurs et de la distance totale de la boucle d'alimentation, afin de limiter les risques de baisse de tension lors du déclenchement d'un signal sonore.



- ✓ Le prolongement du circuit est limité par le courant de régime de la source d'alimentation et les lignes d'électricité installées.
- ✓ Les installations d'alimentation centrales doivent respecter les codes électriques locaux. La plupart des circuits électriques sont de classe I. Par conséquent, il faudra probablement prévoir des conduits. Les coûts d'installation sont plus élevés que ceux d'un système d'alimentation locale.

Figure 6 Système type d'alimentation centrale



## Branchement de l'alimentation au système Selectone

### ⚠ AVERTISSEMENT

**PRÉCAUTIONS CONCERNANT L'INSTALLATION** — Cet appareil doit être installé par un électricien qualifié qui connaît parfaitement le Code national de l'électricité ou les codes locaux et en suivra les directives.

### ⚠ AVERTISSEMENT

**RISQUE DE DÉCHARGE ÉLECTRIQUE** — N'effectuez aucune installation ni aucun entretien sur ce système tant qu'il est sous tension. Étant donné que le modèle 300VSC n'est pas équipé d'un interrupteur d'alimentation, vérifiez que l'alimentation est débranchée avant de poursuivre. Le non-respect de cet avertissement peut entraîner des blessures graves et même la mort.

### ⚠ AVERTISSEMENT

**RISQUES DE DIAPHONIE ET D'INTERFÉRENCE** — La diaphonie, des interférences ou du bourdonnement peuvent survenir sur les lignes d'acheminement des signaux et affecter la sortie sonore ou produire des messages confus, ce qui est susceptible de compromettre les fonctions d'avertissement d'urgence de cet équipement. N'installez aucune ligne électrique dans le conduit où passent les lignes d'acheminement des signaux.

Branchez l'alimentation de fonctionnement à l'appareil 300VSC en insérant la fiche du cordon dans n'importe quelle prise standard de 120 volts et 60 Hz. L'appareil est réglé en usine pour une alimentation à 120 Vca et 50/60 Hz.

Si vous prévoyez utiliser une source alimentation primaire ou auxiliaire de 24 Vcc, raccordez la borne « + » de l'alimentation de 24 Vcc à la borne TB2-15 (+24 Vcc) et la borne « - » de l'alimentation de 24 Vcc à la borne TB2-16 (-24 Vcc) du bornier TB2 situé au dos de l'appareil 300VSC.

### Messages de sécurité destinés au personnel d'entretien

#### **▲AVERTISSEMENT**

Cet appareil doit être entretenu par un électricien qualifié qui connaît parfaitement le Code national de l'électricité ou les codes locaux et en suivra les directives.

Ces données d'entretien sont exclusivement destinées au personnel qualifié. Pour éviter les décharges électriques, limitez l'entretien au remplacement de fusibles, sauf si vous avez les qualifications nécessaires. Confiez toutes les tâches d'entretien à du personnel qualifié.

Les précautions et instructions de sécurité à suivre sont listées ci-dessous :

- Il faut bien lire et comprendre toutes les instructions avant d'utiliser ce système.
- Ne procédez à aucune tâche d'entretien lorsque ce système est sous tension. Étant donné que le modèle 300VSC n'est pas équipé d'un interrupteur d'alimentation, vérifiez que l'alimentation est débranchée avant de poursuivre.
- Vérifiez toujours que l'alimentation est coupée avant de retirer le couvercle de métal.
- Ne branchez et ne débranchez pas cet appareil lorsqu'il est sous tension.
- Tous les haut-parleurs d'avertissement efficaces produisent des sons forts susceptibles, dans certaines situations, d'entraîner une perte auditive permanente. Prenez les précautions qui s'imposent, par exemple, en portant un dispositif de protection antibruit.
- Après l'installation, testez le système sonore pour vérifier son bon fonctionnement.
- Établissez une procédure de vérification régulière de l'activation et du bon fonctionnement du système sonore.

Le non-respect de toutes les précautions et instructions de sécurité peut provoquer des dommages à la propriété, des blessures graves voire la mort.

### Obtention de pièces de rechange

Vous trouverez ci-dessous la liste des principales pièces de rechange. Pour commander des accessoires ou des pièces de rechange du tableau 2, appelez le Service à la clientèle de Federal Signal au 708-534-4756 ou au 877-289-3246.

**Tableau 2** Pièces de rechange

Description	Numéro de pièce
Tableau de distribution (300VSC-1)	K2001147
Carte mère	K2001154
Tableau du connecteur de carte de tonalité	K2001164
Prise de connecteur, TB1, 17 positions	K140A332-17
Prise de connecteur, TB2, 16 positions	K140A332-16

## **Service de réparation et assistance technique**

Pour renvoyer des produits à réparer, il faut obtenir une autorisation de retour de votre distributeur ou de Federal Signal. Pour joindre le service de réparation ou d'assistance technique de Federal Signal, composer le 708-534-4756 ou 877-289-3246.

Pour obtenir des manuels d'instructions et des renseignements sur les produits, consulter <http://www.federal-signal-indust.com>.

## **Renvoi du produit pour obtention d'un crédit**

Les produits renvoyés doivent être accompagnés d'une autorisation de renvoi accordée par le distributeur local avant le renvoi du produit chez Federal Signal. Communiquer avec le distributeur pour obtenir de l'aide.

Un produit peut être renvoyé avec obtention d'un crédit si les conditions suivantes sont remplies :

- Le produit est revendable et est renvoyé dans son emballage d'origine
- Le produit n'a pas encore été installé
- Le produit est le modèle le plus récent
- Le produit n'a jamais été réparé
- Le produit est un produit standard
- Le produit n'est pas une pièce détachée

Tous les renvois de produits font l'objet de frais de restockage.

Les produits défectueux renvoyés au cours de la période de garantie seront réparés ou remplacés à la seule discrétion de Federal Signal. Les produits dont la lampe est défectueuse ne sont pas considérés comme des produits défectueux.

Toute demande autre que celle citée ci-dessus sera examinée au cas par cas.



**FEDERAL SIGNAL**

Safety and Security Systems / Industrial

**Industrial Systems**

2645 Federal Signal Drive • University Park, IL 60484-3167

Tel: 708-534-4756 • 877-289-3246 • Fax: 708-534-4852

Email: [elp@federalsignal.com](mailto:elp@federalsignal.com) • [www.federalsignal-indust.com](http://www.federalsignal-indust.com) • [www.fs-isys.com](http://www.fs-isys.com)



**FEDERAL SIGNAL**

Safety and Security Systems / Industrial

*Advancing security and well-being.*

## **Modelos 300VSC-1 y 300VSC-1044SB Unidades de comando SelecTone®**



*Modelo 300VSC-1044SB*

*Modelo 300VSC-1*

*Modelo MSB-1*

---

## ***Manual de instalación y mantenimiento***

2561044F  
Rev. FO 913  
Impreso en los EE. UU.



**Garantía:** El vendedor garantiza todos los productos por cinco años para las piezas y por 2-1/2 años para la mano de obra, bajo las siguientes condiciones y excepciones: El Vendedor garantiza que todos los productos fabricados por el Vendedor se ajustarán a las descripciones de los mismos para especificaciones que expresamente forman parte de este contrato de venta y en el momento de la venta por parte del Vendedor tales productos estarán comercialmente libres de defectos en material o mano de obra. El Vendedor se reserva el derecho, a criterio del Vendedor, de “Reparar y devolver” o “Reemplazar” cualquier elemento considerado defectuoso durante el período de garantía. Esta garantía no cubre gastos de viaje, el costo de equipos especializados para obtener acceso al producto ni los cargos de mano de obra por la extracción y la nueva instalación del producto. Esta garantía no tendrá validez y no será de aplicación a productos que hayan sido sometidos a uso incorrecto, descuido, accidente, daño, mantenimiento incorrecto o productos alterados o reparados por otra persona que no sea el Vendedor o su representante autorizado, o si han transcurrido cinco años desde la fecha de envío del producto por parte del Vendedor, con las excepciones siguientes: las lámparas y los tubos estroboscópicos no están cubiertos por esta garantía. Las sirenas de advertencia y los controladores externos fabricados por Federal Warning Systems cuentan con garantía de dos años sobre las piezas y de un año sobre la mano de obra. Ningún agente, empleado, representante o distribuidor del Vendedor tiene autorización de obligar al Vendedor frente a ninguna declaración, afirmación o garantía relacionada con los productos y tal declaración, afirmación o garantía no se considerará parte de los elementos básicos del contrato de venta y no será exigible. LAS GARANTÍAS ANTERIORES SON EXCLUSIVAS Y REEMPLAZAN TODA OTRA GARANTÍA DE COMERCIALIZACIÓN, DE IDONEIDAD PARA UN PROPÓSITO Y DE CUALQUIER TIPO, YA SEA EXPRESA O IMPLÍCITA. Estas garantías no serán de aplicación a menos que el Vendedor reciba una oportunidad razonable de investigar todos los reclamos por mercaderías supuestamente defectuosas. Ante la indicación del Vendedor, se devolverá una sola muestra de los productos defectuosos al Vendedor para su inspección y aprobación. La base de todos los reclamos por supuestos defectos en los productos que no se descubra ante la inspección razonable de los mismos en virtud del párrafo 8 del presente debe explicarse totalmente por escrito y debe ser recibida por el Vendedor dentro de los treinta días posteriores a que el Comprador tome conocimiento del defecto o tal reclamo se considerará caducado.



2645 Federal Signal Drive • University Park, IL 60484  
Tel: 708-534-4756 • 877-289-3246. Fax: 708-534-4852  
elp@fedsig.com • www.federal-signal-indust.com • www.fs-isys.com

---

## Contenido

<b>Mensaje de seguridad para los instaladores de productos Federal Signal.....</b>	<b>41</b>
<b>Desembalaje del producto.....</b>	<b>41</b>
<b>Descripción del producto .....</b>	<b>42</b>
Dimensiones y características del chasis .....	42
Características del panel frontal.....	43
Características del circuito de control.....	43
Botón interruptor CANCEL.....	43
Botón interruptor TEST .....	43
Requisitos de corriente eléctrica.....	44
Entradas de audio.....	44
<b>Recomendaciones para las líneas de señal.....</b>	<b>47</b>
Conexión de las líneas de señal .....	47
<b>Conexión con dispositivos remotos.....</b>	<b>48</b>
Aplicación de línea balanceada .....	48
Aplicación de la línea no balanceada.....	49
Conexión con una salida de audio de bajo nivel.....	49
<b>Conexión con una salida de audio de bajo nivel.....</b>	<b>49</b>
Instalación de los módulos de tono SelecTone .....	49
<b>Dos métodos de suministrar corriente eléctrica al sistema SelecTone.....</b>	<b>50</b>
Corriente eléctrica local de 120 VCA 50/60 Hz .....	50
Corriente eléctrica central de 24 VCC.....	51
<b>Conexión de corriente eléctrica al sistema SelecTone.....</b>	<b>52</b>
<b>Mensajes de seguridad para el personal de mantenimiento.....</b>	<b>52</b>
<b>Obtención de piezas de repuesto .....</b>	<b>53</b>
<b>Servicio de reparación o asistencia técnica .....</b>	<b>53</b>
<b>Cómo devolver el producto para obtener crédito .....</b>	<b>53</b>

## Cuadros

<b>Cuadro 1</b> Especificaciones del producto .....	<b>44</b>
<b>Cuadro 2</b> Piezas de repuesto .....	<b>53</b>

---

## Figuras

<b>Figura 1</b>	Conexiones en la parte posterior del Modelo 300VSC .....	48
<b>Figura 2</b>	Conexiones del Modelo AM25CK (línea balanceada) .....	48
<b>Figura 3</b>	Conexiones del Modelo 300CK (línea no balanceada) .....	49
<b>Figura 4</b>	Contactos de interruptor remoto para los módulos de tono 1 a tono 4 .....	50
<b>Figura 5</b>	Sistema típico de corriente eléctrica local .....	50
<b>Figura 6</b>	Sistema típico de corriente eléctrica central.....	51



## Mensaje de seguridad para los instaladores de productos Federal Signal

### ADVERTENCIA

Las vidas de las personas dependen de la instalación y del servicio correcto de los productos Federal Signal. Es importante leer y seguir todas las instrucciones enviadas con este producto. Asimismo, a continuación se incluyen algunas instrucciones y precauciones importantes de seguridad que debe seguir:

- Este dispositivo debe ser instalado por un electricista capacitado completamente familiarizado con el Código
- Eléctrico Nacional (NEC, por sus siglas en inglés) y deberá observar los lineamientos del NEC y los códigos locales.
- Consulte con la autoridad con jurisdicción en su área con respecto al uso e instalación adecuados de este producto.
- La selección de la ubicación de montaje del dispositivo, sus controles y la colocación del cableado deben realizarse bajo la dirección del ingeniero de la planta y del ingeniero de seguridad.
- Lea y comprenda todas las instrucciones antes de instalar o poner en funcionamiento este equipo.
- No conecte esta unidad al sistema cuando esté encendido.
- La distribución óptima del sonido se verá seriamente reducida si hay objetos delante del altavoz. Asegúrese de que la parte delantera del altavoz no tenga obstrucciones.
- Todos los altavoces de advertencia eficaz producen sonidos fuertes que pueden ocasionar, en ciertas situaciones, la pérdida permanente de la audición.
- Debe tomar las precauciones apropiadas, tales como usar protección auditiva.
- Después de la instalación, pruebe el sistema de sonido para asegurarse de que funcione correctamente.
- Muestre estas instrucciones a su ingeniero de seguridad y luego consérvelas en un lugar seguro y consúltelas al realizar tareas de mantenimiento o al volver a instalar la unidad.
- Establezca un procedimiento para verificar periódicamente si el sistema de sonido se activó y si funciona como es debido.

Si no se siguen todas estas precauciones e instrucciones de seguridad, pueden producirse daños materiales, lesiones graves o incluso la muerte.

## Desembalaje del producto

Después de desembalar el producto, examínelo para detectar daños que puedan haber ocurrido durante el tránsito. Si el 300VSC-1 o el 300VSC-1044B se han dañado, no intente instalarlos ni ponerlos en funcionamiento. Presente un reclamo de inmediato al transportista que indique el alcance de los daños. Con cuidado, inspeccione todos los sobres, las etiquetas de envío y los rótulos antes de retirarlos o descartarlos. El desecho de todos los materiales de envío debe realizarse de acuerdo con los códigos y las normas nacionales y locales. Si falta alguna pieza, contacte al Servicio de Asistencia al Cliente de Federal Signal al 708-534-4756 o 877-289-3246.

## **Descripción del producto**

La Unidad de Comando SelecTone® Modelo 300VSC es un dispositivo de control central capaz de generar hasta cuatro señales diferentes en una línea conectada a un altavoz/amplificador remoto en un sistema SelecTone. El 300VSC puede controlar líneas de señal a los Modelos de Federal Signal 300GC, 300GCX, 300X, 302GC, 302GCX, 302X y altavoces/amplificadores 50GC y otros dispositivos destinados a operar con un sistema SelecTone. También puede controlar señales a los altavoces destinados para un funcionamiento con 25 Vrms. El 300VSC posee una función de anuncios públicos (PA), de tal forma que se pueden anunciar mensajes de voz o instrucciones con el sistema SelecTone a través de un Micrófono opcional Modelo MSB-1 o MNC-1. La unidad también puede usarse para reproducir música de fondo generada por una fuente externa en el sistema SelecTone.

El micrófono Modelo MNC-1 es un micrófono portátil con supresión de ruido, ideal para usar como micrófono local. El micrófono Modelo MSB-1 es un micrófono de tipo de estación de base diseñado para el funcionamiento en escritorio.

El Modelo 300VSC-1 está destinado a instalarse en interiores, sobre un escritorio u otra superficie plana.

El Modelo 300VSC-1044B es una unidad para montar en bastidor, completa con elementos de montaje. Se ajusta a cualquier gabinete estándar de montaje en bastidor de 19 pulgadas.

El Modelo 300VSC puede usarse para una variedad de propósitos de señalización de prioridad, tal como reproducir música de fondo, alarma auxiliar de incendios, alarma de evacuación, funciones de inicio y despedida y de buscapersonas y otras aplicaciones de advertencia en emergencias. El sistema puede automatizarse si dispositivos externos, tales como detectores de calor, interruptores o relojes de programa se conectan a entradas remotas. Las ventajas adicionales del Modelo 300VSC incluyen una expansión económica del sistema junto con la flexibilidad del sistema a largo plazo.

El Modelo 300VSC genera y amplifica señales de tono y de audio y las aplica a través de las líneas de señal a los dispositivos SelecTone remotos en el sistema. Se requiere un Kit de Conectores Modelo AM25CK en cada dispositivo SelecTone para conectarse a la línea de señal. Los altavoces destinados para la operación de 25 voltios pueden conectarse directamente a la salida de 25 voltios. El 300VSC está preparado para hasta cuatro módulos de tono SelecTone de su elección. Los tonos se designan como Tono 1, Tono 2, Tono 3 y Tono 4. Cada tono se puede activar manualmente a nivel local por su botón interruptor asociado en el panel frontal o por un cierre de contacto en la entrada del control remoto asociado. Cuando se activa un tono, ya sea local o remotamente, su LED asociado del botón interruptor del panel frontal se ilumina para indicar que el tono se ha activado. El LED se mantiene iluminado hasta que el tono se desactiva y se elimina el cierre de contacto. Todos los controles del 300VSC se ubican en el panel frontal.

Los detalles y características del producto se describen en las secciones siguientes. Para ver las especificaciones completas del producto, consulte la Cuadro 1 en las páginas 44 a 46.

### ***Dimensiones y características del chasis***

El Modelo 300VSC-1 se ensambla en una carcasa de dos piezas de aluminio cepillado negro de aproximadamente 10,50 in (26,67 cm) de ancho por 9,25 in (23,50 cm) de profundidad por 2,44 in (6,18 cm) de alto.

Está destinado a colocarse en cualquier superficie horizontal plana o puede montarse en la pared usando los soportes de montaje en pared provistos en el kit de accesorios. La carcasa se sujeta con cuatro tornillos: dos en la parte inferior cerca del frente y dos en la parte posterior cerca de los bloques terminales.

El Modelo 300VSC-1044SB se ensambla en una carcasa de aluminio de tres piezas. La carcasa está pintada de negro y tiene 19,0 in de ancho x 10,0 in de profundidad y 3,5 in de alto. La unidad está instalada en un gabinete estándar de montaje en bastidor de 19 pulgadas.

### **Características del panel frontal**

Los interruptores del panel frontal se denominan **TONE 1** a **TONE 4**, **AUX.**, **TEST** y **CANCEL** (TONO 1 a TONO 4, AUX., PRUEBA y CANCELAR). El tono correspondiente a cada interruptor se puede marcar en la zona blanca al lado del interruptor con un marcador permanente. Si cambia un tono o mensaje, retire la marca frotando suavemente con un paño humedecido en alcohol desnaturalizado. Para evitar dañar los interruptores, verifique que el alcohol no entre en contacto con ellos.

### **Características del circuito de control**

Los circuitos de control en el 300VSC poseen una función incorporada de nivel de prioridad. Si ya suena un tono dado cuando se activa un tono de mayor prioridad a nivel local o remoto, el tono de mayor prioridad automáticamente cancela el tono de menor prioridad. Sin embargo, el botón interruptor con LED del tono de menor prioridad se mantiene encendido para indicar que el tono de menor prioridad sigue activado. Cuando se desactiva el tono de mayor prioridad, el LED en el botón interruptor se apaga y el tono de menor prioridad reanuda su sonido. Al presionar el botón interruptor CANCELAR, se desactivan los tonos actualmente activos. El micrófono local posee la mayor prioridad. Todos los tonos tienen prioridad por la secuencia de número y todos tienen prioridad sobre el anuncio público remoto y la música de fondo.

Como el Tono 1 tiene prioridad sobre todos los tonos, el módulo de tono TM9 "Slow Whoop" con frecuencia se instala en la posición del Tono 1 como señal de "Incendio". Cuando se activa el 300VSC y no se encuentra en modo de prueba (vea "Botón interruptor **TEST**" a continuación), un relé incorporado abre un conjunto de contactos normalmente cerrados y cierra un conjunto de contactos normalmente abiertos, lo que posibilita el envío de una señal de alarma a otros servicios o circuitos de emergencia. Compruebe los códigos locales para ver los requisitos específicos con respecto a los tipos de tono a usar.

### **Botón interruptor CANCEL**

El botón interruptor **CANCEL** (CANCELAR) reinicia todas las funciones de señalización activadas manualmente del 300VSC. También realiza un cierre temporal de contactos secos para facilitar el reinicio remoto de cualquier otro circuito de alarma. El contacto se mantiene cerrado mientras se presiona el botón interruptor **CANCEL**. El reinicio de la activación remota no ocurre si el cierre que ocurre en la entrada remota no ha sido removido.

### **Botón interruptor TEST**

El botón interruptor **TEST** (PRUEBA) permite la prueba de los tonos sin activar los altavoces en las líneas de señal no balanceada. Durante la prueba el tono se escucha solo desde el altavoz del monitor dentro de la unidad. El botón interruptor **TEST** también cancela falsas alarmas. Cuando se presiona el botón interruptor, el LED se mantiene iluminado para recordar al operador que presione el botón interruptor **CANCEL** después de que se ha completado la prueba o se corrija la falsa alarma.

## Requisitos de corriente eléctrica



### ADVERTENCIA

**RIESGO DE DESCARGA ELÉCTRICA:** Para impedir que la corriente eléctrica del 300VSC se desconecte accidentalmente, no cuenta con un interruptor de corriente y se mantiene energizado a menos que se desconecte la corriente. Antes de realizar tareas de instalación o mantenimiento, desconecte la corriente eléctrica del 300VSC.

El panel frontal posee un LED verde para indicar la presencia de corriente eléctrica primaria. El 300VSC puede operarse desde una fuente de alimentación de 120 VCA o 24 VCC. La corriente de 120 VCA se conecta a través del cable de corriente y la corriente de 24 VCC se conecta a través de los terminales posteriores.

## Entradas de audio

Puede conectarse un micrófono directamente al 300VSC a través de enchufes modulares provistos en el frente del 300VSC. El micrófono posee la mayor prioridad. Sin embargo, existen terminales de tornillo para la entrada de una señal de audio de bajo nivel y baja impedancia en la parte posterior del 300VSC. Los terminales permiten que el audio se acople desde un sistema de central telefónica con el equipo de interfaz adecuado provisto por la compañía telefónica. Esta entrada también está destinada a permitir la conexión directa de un micrófono remoto de baja impedancia con un PTT separado, que tiene una prioridad menor que los tonos. Un enchufe RCA en la parte posterior del chasis acepta una señal de audio estándar de 1 voltio de una fuente de música de fondo tal como un receptor de radio, reproductor de CD o reproductor de cinta.

### Cuadro 1 Especificaciones del producto

#### Entrada de corriente eléctrica

Voltaje de entrada	120 VCA, 50 Hz a 60 Hz
Corriente eléctrica en espera	50 mA, 120 VCA
Corriente eléctrica de funcionamiento	210 mA (máx)
Consumo de energía	26 W (máx.)

#### Entrada de la fuente de alimentación de emergencia

Voltaje de entrada	22 VCC a 32 VCC
Corriente eléctrica en espera	90 mA
Corriente eléctrica de funcionamiento	760 mA

#### Entradas de audio

##### *Sistema local de anuncios públicos (usar con el micrófono opcional Modelo MSB-1)*

Impedancia de entrada	5 k $\Omega$
Voltaje de entrada	16 mVrms (máx)

##### *Micrófono remoto*

Impedancia de entrada	5 k $\Omega$
Voltaje de entrada	16 mVrms (máx)

##### *Entrada auxiliar*

Impedancia de entrada	5 k $\Omega$
Voltaje de entrada	500 mVrms (máx.)

**Cuadro 1** Especificaciones del producto (continuación)**Salidas de audio***Impedancia de salida*

Línea de señal no balanceada	25 $\Omega$ (máx.)
Línea de señal no balanceada, espera	120 $\Omega$
Línea de señal balanceada	40 $\Omega$ (máx.)
Línea de señal de bajo nivel	600 $\Omega$

*Niveles de voltaje de salida, sin carga (< 3 % THD)*

Línea de señal no balanceada	9 Vrms
Línea de señal balanceada	17 Vrms
Línea de señal de bajo nivel	1 Vpp

*Niveles de voltaje de salida, carga máx. (< 3 % THD)*

Línea de señal no balanceada	8 Vrms (25 $\Omega$ carga)
Línea de señal balanceada	15 Vrms (40 $\Omega$ carga)
Línea de señal de bajo nivel	1 Vpp (600 $\Omega$ carga)

*Niveles de voltaje de salida, sin carga (onda cuadrada)*

Línea de señal no balanceada	12 Vrms
Línea de señal balanceada	25 Vrms
Línea de señal de bajo nivel	1 Vpp

*Niveles de salida de tono, carga máxima (onda cuadrada)*

Línea de señal no balanceada	12 Vrms (25 $\Omega$ carga)
Línea de señal balanceada	20 Vrms (40 $\Omega$ carga)
Línea de señal de bajo nivel	0.56 Vrms (600 $\Omega$ carga)

**Respuesta de frecuencia de sonido, línea de señal balanceada***40  $\Omega$  carga máx., de 250 Hz a 80 kHz*

(Referencia 1 kHz)	-3 dB
--------------------	-------

*40  $\Omega$  carga máx., de 450 Hz a 60 kHz*

(Referencia 1 kHz)	-1 dB
--------------------	-------

*Sin carga, de 100 Hz a 90 kHz*

(Referencia 1 kHz)	-3 dB
--------------------	-------

*Sin carga, de 200 Hz a 60 kHz*

(Referencia 1 kHz)	-1 dB
--------------------	-------

*Relación señal a ruido (< 3% THD)*

Anuncios públicos locales	60 dB
Micrófono remoto	40 dB
Entrada auxiliar	80 dB

*Distorsión de audio de la entrada auxiliar a la señal balanceada*

Salida de línea (carga de 40 $\Omega$ )	2 %
---	-----

**Cuadro 1** Especificaciones del producto (continuación)

**Altavoz interno**

Nivel de sonido a 1 metro 65 dB

**Circuito de activación de tono remoto**

Tipo Cierre de contacto seco  
Impedancia de línea 100  $\Omega$  (máx.)  
Corriente eléctrica del circuito 50 mA (máx.) (12 VCC)

**Circuito de activación del micrófono remoto (PTT)**

Tipo Cierre de contacto seco  
Impedancia de línea 100  $\Omega$  (máx.)  
Corriente eléctrica del circuito 10 mA (máx.) (12 VCC)

**Salidas de cierres de contacto remotos**

*Relés de Tono 1, Tono 2, Tono 3, Tono 4, Salida de señal, Auxiliar, Prueba y Cancelación*

Tipo Cierre de contacto seco  
Clasificación 24 VCC, 1 A, resistivo

**Relación señal a ruido (< 3% THD)**

Anuncios públicos locales 60 dBA  
Micrófono remoto 40 dBA  
Entrada auxiliar 80 dBA

**Distorsión de sonido desde la entrada auxiliar a la señal balanceada**

Salida de línea (40  $\Omega$  load) 2 %

**Fusibles**

F1 Tipo GMC-1, 1 A, 250 V  
F2 Tipo GMC-1/2, 1/2 A, 250 V

**Dimensiones y peso**

*Modelo VSC-1*

Peso 4.125 lb (1.88 kg)  
Dimensiones 10,5 in de ancho x 9,25 in de profundidad x 2,44 in de alto  
26,67 cm x 23,50 cm x 6,20

*Modelo VSC-1044SB*

Peso 7.9 lb (3.58 kg)  
Dimensiones 19.0 in W x 10.0 in D x 3.5 in H  
48.26 cm x 24.40 cm 8.89 cm

## Recomendaciones para las líneas de señal

### ADVERTENCIA

**SALIDA REDUCIDA DE SONIDO:** Si se usa un diámetro de cable muy pequeño, una caída inaceptable en el voltaje de la línea de señal causará una salida reducida de sonido del dispositivo de señal remota. Solo use un cable con un diámetro superior a 22 AWG.

Las líneas de señal transfieren señales de tono y mensajes verbales desde el 300VSC a los dispositivos remotos SelecTone. Para reducir la posibilidad de comunicación cruzada, zumbido y recolección de ruido estático, las líneas de señal deben ser de cable de audio blindado de par trenzado. En la mayoría de los sistemas, use cables de audio blindados de par trenzado de 18 AWG. Federal Signal no recomienda que se usen líneas de teléfono nuevas o existentes como líneas de señal en un sistema de SelecTone por los siguientes motivos:

- ✓ Interferencia de otros servicios o sistemas, o interferencia del sistema a otros servicios
- ✓ Comunicación cruzada, interferencia o zumbido inducido por otras líneas de teléfono
- ✓ Tiempo extendido de inactividad debido a la participación de otra parte requerida para las tareas de servicio en las líneas
- ✓ El costo adicional de instalación, dispositivos de interacción y cargos mensuales en oposición a un costo único por realizar la instalación

### Conexión de las líneas de señal

#### ADVERTENCIA

**RIESGO DE COMUNICACIÓN CRUZADA/INTERFERENCIA:** Mezclar líneas de corriente con líneas de señal puede causar comunicación cruzada, interferencia o zumbido en las líneas de señal, lo que interfiere con la capacidad de advertencia de emergencias de este equipo. No instale líneas de corriente eléctrica en el mismo conducto que las líneas de señal.

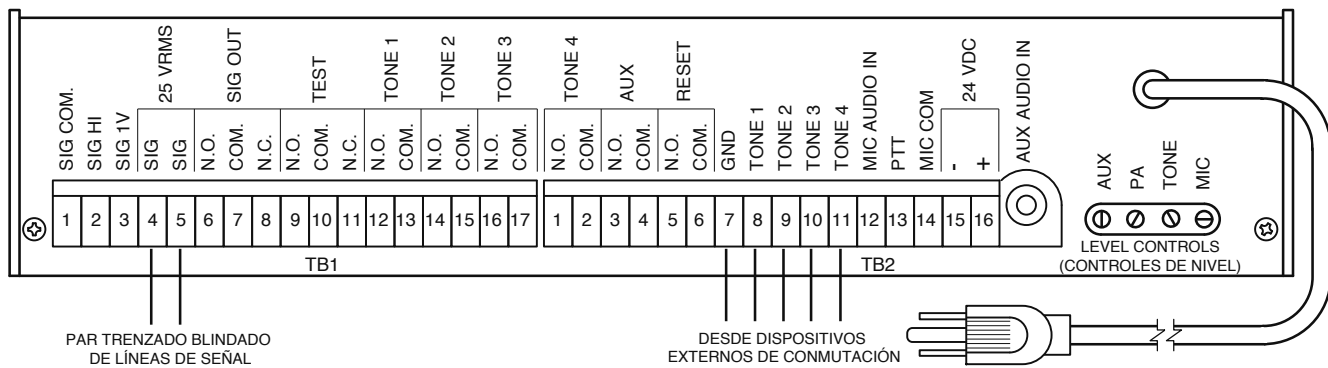
#### ADVERTENCIA

**RIESGO DE DESCARGA ELÉCTRICA:** No instale líneas de señal en el mismo conducto que las líneas de corriente eléctrica. Evite enrutar las líneas de señal en las bandejas de cables con las líneas de corriente eléctrica de alto voltaje.

Vea la Figura 1 en la página 48. Para conectar las líneas de señal del sistema SelecTone al 300VSC, conecte un par trenzado de cables de audio con código de colores con conductores no inferiores a 18 AWG a los terminales TB1-4 y TB1-5 en TB1. Todos los dispositivos remotos de señalización SelecTone en el sistema se conectarán en paralelo o en serie a estas líneas.

Para altavoces de 25 Vrms que no sean de SelecTone, tales como altavoces en cielo raso, conecte las líneas de señal directamente a TB1-4 y TB1-5 del bloque terminal TB1. Las pérdidas de la línea de señal deben considerarse al calcular cuántos altavoces pueden conectarse al 300VSC.

**Figura 1** Conexiones en la parte posterior del Modelo 300VSC



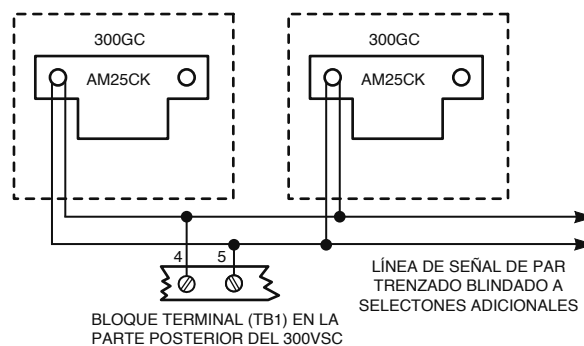
## Conexión con dispositivos remotos

Instale los dispositivos remotos SelecTone siguiendo las instrucciones incluidas con el dispositivo..

### Aplicación de línea balanceada

Para los altavoces 300GC, 300GCX, 300X, 302GC, 302GCX, 302X o 50GC, se requiere un Kit de Conectores AM25CK para la conexión con la salida de señal balanceada del 300VSC. El AM25CK termina correctamente las líneas de señal balanceada al amplificador en el 300GC, 300GCX, 300X, 302GC, 302GCX, 302X y 50GC. Como se muestra en la Figura 2, conecte los cables blancos de entrada en el AM25CK a los terminales TB1-4 y TB1-5 del bloque terminal TB1 en el 300VSC. Los Kits de Conectores AM25CK y AM70CK NO son sensibles a la polaridad, pero la polaridad debe observarse al colocar los altavoces uno cerca del otro.

**Figura 2** Conexiones del Modelo AM25CK (línea balanceada)



Para altavoces de 25 Vrms operados por línea, conéctelos directamente a la salida de señal balanceada del 300VSC. Conecte los altavoces en paralelo con los terminales TB1-4 y TB1-5 del bloque terminal TB1 en el 300VSC. A diferencia de la salida de línea no balanceada, esta salida no está conmutada.

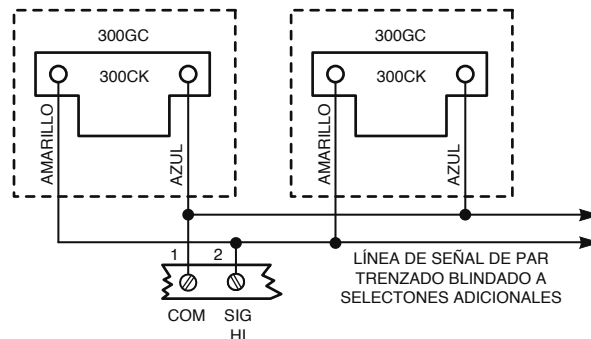
**IMPORTANTE:** Use la salida de señal balanceada solo si no hay dispositivos del sistema SelecTone conectados a la salida de señal no balanceada (en TB1-1 y TB1-2).



### Aplicación de la línea no balanceada

Vea la Figura 3. Para los sistemas SelecTone existentes que usan el Kit de Conectores 300CK, use las salidas de señal no balanceada en el 300VSC. Se requiere un Kit de Conectores 300CK para conectar un 300GC, 300GCX, 300X, 302GC, 302GCX, 302X o 50GC a las líneas de señal no balanceada. El 300CK termina correctamente las líneas de señal al amplificador en el 300GC, 300GCX, 300X, 302GC, 302GCX, 302X y 50GC. Conecte el cable azul en el 300CK al cable **SIG COM** del 300VSC. Conecte el cable amarillo del 300CK al cable **SIG HI** del 300VSC.

**Figura 3** Conexiones del Modelo 300CK (línea no balanceada)



### Conexión con una salida de audio de bajo nivel

El 300VSC también tiene una salida de audio pico a pico de 1 voltio que puede acoplarse a la entrada de audio de otro amplificador. Esta salida de bajo nivel está disponible en los terminales TB1-1 y TB1-2. También puede conectarse a un transmisor analógico de fibra óptica de tal forma que el audio se transmita por un enlace de fibra óptica en un entorno con interferencia eléctrica.

### Conexión con una salida de audio de bajo nivel

Los tonos del 300VSC pueden activarse remotamente por contactos de interruptor de baja corriente normalmente abiertos con una capacidad de corriente de al menos 50 mA inductivos. La Figura 4 ilustra la conexión de los contactos del interruptor con 300VSC. Las designaciones S1, S2, S3 y S4 representan los contactos del interruptor remoto, tales como los que se encuentran en interruptores de flujo, relojes de programa, detectores de calor y detectores de humo. Los sonidos de tono activados en forma remota funcionan mientras los contactos de activación se mantienen cerrados.

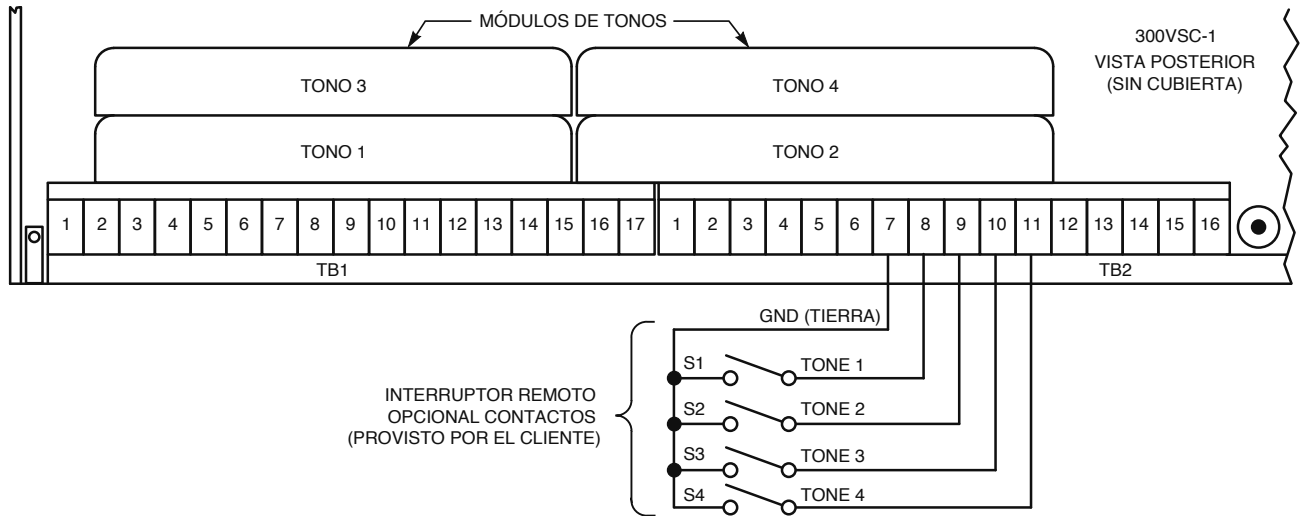
### Instalación de los módulos de tono SelecTone

#### **⚠ ADVERTENCIA**

**RIESGO DE DESCARGA ELÉCTRICA:** No realice ninguna instalación o mantenimiento en este sistema cuando está encendido. Como el 300VSC no tiene un interruptor de corriente eléctrica, verifique que la corriente eléctrica esté desconectada antes de continuar. La falta de atención a esta advertencia puede ocasionar lesiones graves o la muerte.

Vea la Figura 4 en la página 50. El 300VSC puede alojar hasta cuatro módulos SelecTone de su elección. Para instalar los módulos de tono, insértelos en los receptáculos deseados en el circuito impreso. Los receptáculos del módulo de TONO 1 y el módulo de TONO 2 se ubican en la placa base. Los receptáculos del módulo de TONO 3 y el módulo de TONO 4 se ubican en la tarjeta que se enchufa a la placa base.

**Figura 4** Contactos de interruptor remoto para los módulos de tono 1 a tono 4



290A7497

## Dos métodos de suministrar corriente eléctrica al sistema SelecTone

Los dos métodos básicos de suministrar corriente eléctrica a un sistema SelecTone son corriente local de 120 VCA, 50/60 Hz y corriente central de 24 VCC. Los párrafos siguientes describen cada método junto con las ventajas y desventajas.

### Corriente eléctrica local de 120 VCA 50/60 Hz

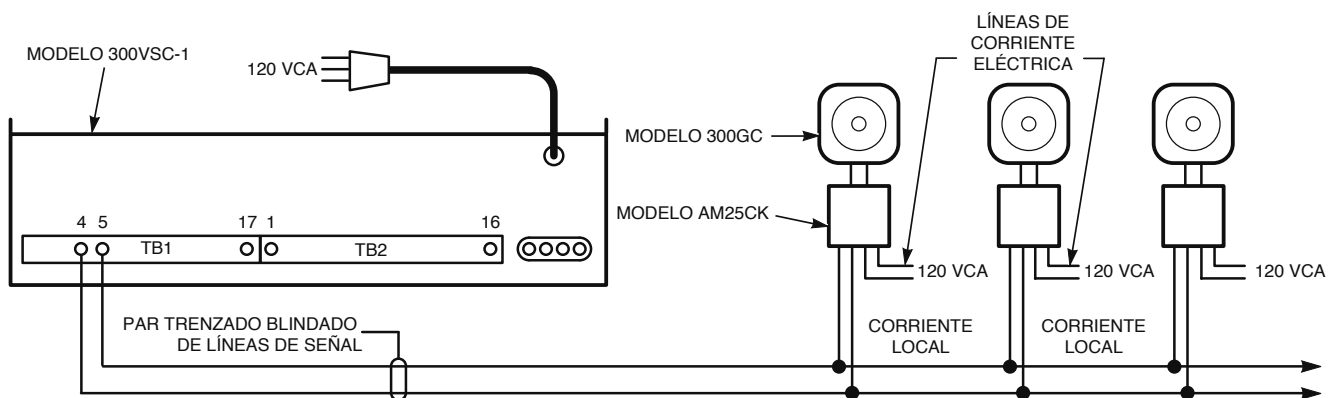


**ADVERTENCIA**

**PRECAUCIÓN DE INSTALACIÓN:** Una instalación inapropiada podría volver este sistema inoperable, interfiriendo con la naturaleza de advertencia de este producto. La instalación debe ajustarse al Código Eléctrico Nacional y/o a los códigos locales.

Vea la Figura 5. En este sistema, la corriente eléctrica se suministra a cada dispositivo remoto SelecTone conectándolo a un suministro de 120 VCA que se encuentre al lado del dispositivo. Si se requiere una fuente de alimentación de emergencia, debe emplearse un sistema de alimentación central, descrito a continuación.

**Figura 5** Sistema típico de corriente eléctrica local



290A7498

### Corriente eléctrica central de 24 VCC

Vea la Figura 6. En el sistema de corriente eléctrica central, todas las líneas de corriente del amplificador remoto se conectan en paralelo a una o más fuentes de alimentación de ubicación central de 24 VCC.

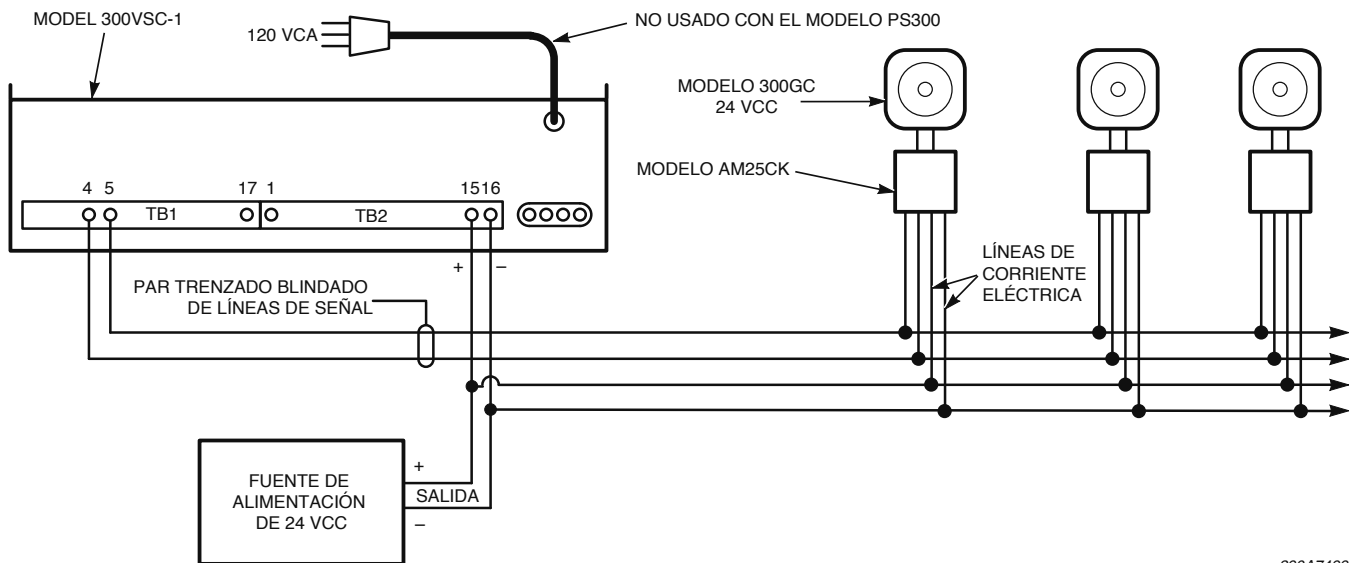
Las ventajas de un sistema de corriente eléctrica central son:

- ✓ Todo el sistema puede ser independiente del voltaje de la línea local.
- ✓ Todo el sistema puede conmutarse a una fuente de alimentación en espera de emergencia en el caso de corte de corriente eléctrica.
- ✓ El sistema de corriente eléctrica central tiene la ventaja agregada de que una fuente de alimentación auxiliar, tal como el Modelo PS600 de Federal Signal puede usarse para alimentar dispositivos remotos en el sistema SelecTone. Si se usa el PS600, no es necesario conmutar la fuente de alimentación si ocurre un corte de corriente eléctrica.

Las desventajas de un sistema de corriente eléctrica central son:

- ✓ Se requieren líneas de alto voltaje desde la fuente de alimentación a los dispositivos remotos en el sistema. El tamaño de las líneas de corriente depende del número de amplificadores y de la distancia total del bucle de corriente para minimizar la caída de voltaje mientras se genera una señal de tono.
- ✓ La futura expansión se limita por la capacidad de corriente de la fuente de alimentación y por las líneas de corriente que se instalaron inicialmente.
- ✓ Las instalaciones de corriente eléctrica central deben cumplir con los códigos eléctricos locales. La mayoría de los circuitos de corriente eléctrica son circuitos de Clase I. En consecuencia, probablemente se requerirá un conducto. Los costos de instalación son más altos que los de un sistema de corriente eléctrica local.

**Figura 6** Sistema típico de corriente eléctrica central



290A7499

## Conexión de corriente eléctrica al sistema SelecTone

---

**⚠ ADVERTENCIA**

**PRECAUCIÓN PARA LA INSTALACIÓN:** Este dispositivo debe ser instalado por un electricista capacitado completamente familiarizado con el Código Eléctrico Nacional y los códigos locales que siga los lineamientos.

---

**⚠ ADVERTENCIA**

**RIESGO DE DESCARGA ELÉCTRICA:** No realice ninguna instalación ni mantenimiento en este sistema cuando esté encendido. Como el 300VSC no tiene un interruptor de corriente eléctrica, verifique que la corriente eléctrica esté desconectada antes de continuar. La falta de atención a esta advertencia puede ocasionar lesiones graves o la muerte.

---

**⚠ ADVERTENCIA**

**RIESGO DE COMUNICACIÓN CRUZADA/INTERFERENCIA:** Puede inducirse comunicación cruzada, interferencias o zumbidos en las líneas de señal, causando una mala salida de audio o mensajes confusos, lo que interfiere con la capacidad de advertencia de emergencia de este equipo. No instale líneas de corriente eléctrica en el mismo conducto que las líneas de señal.

---

Conecte la corriente eléctrica de funcionamiento al 300VSC insertando el extremo del enchufe del cable de línea a cualquier tomacorriente estándar de 120 voltios, 60 Hz. El 300VSC está configurado de fábrica para un funcionamiento a 120 VCA, 50/60 Hz.

Si usa 24 VCC como fuente de alimentación primaria o auxiliar, conecte el terminal "+" de la fuente de alimentación de 24 VCC al terminal TB2-15 (+24 VCC) y el terminal "-" de la fuente de alimentación de 24 VCC al terminal TB2-16 (-24 VCC) del bloque terminal TB2 que se ubica en la parte posterior del 300VSC.

## Mensajes de seguridad para el personal de mantenimiento

**⚠ ADVERTENCIA**

Este dispositivo debe ser reparado por un electricista capacitado completamente familiarizado con el Código Eléctrico Nacional y que siga los lineamientos del NEC y todos los códigos locales.

Esta información de servicio se incluye solo para personal calificado. Para evitar descargas eléctricas, no realice tareas de servicio además de cambiar fusibles, a menos que esté calificado para hacerlo. Derive todas las tareas de servicio a personal de servicio calificado. A continuación, se incluyen algunas precauciones e instrucciones de seguridad importantes que usted debe seguir:

- Lea y comprenda todas las instrucciones antes de poner en funcionamiento este sistema.
- No realice tareas de mantenimiento en el sistema cuando esté encendido. Como el 300VSC no tiene un interruptor de corriente eléctrica, verifique que la corriente esté desconectada antes de continuar.
- Siempre asegúrese de que la corriente eléctrica del 300VSC esté desconectada antes de retirar la cubierta de metal.
- No desconecte ni conecte esta unidad al sistema cuando esté encendido.
- Todos los altavoces de advertencia eficaz producen sonidos fuertes que pueden ocasionar, en ciertas situaciones, la pérdida permanente de la audición. Debe tomar las precauciones apropiadas, tales como usar protección auditiva.

- Después de la instalación, pruebe el sistema de sonido para asegurarse de que funcione correctamente.
- Establezca un procedimiento para verificar periódicamente si el sistema de sonido se activó y si funciona como es debido.

Si no se siguen todas estas precauciones e instrucciones de seguridad, pueden producirse daños materiales, lesiones graves o incluso la muerte.

## **Obtención de piezas de repuesto**

Las piezas típicas de repuesto se enumeran a continuación. Para pedir los accesorios y las piezas de repuesto de la Cuadro 2, contacte al Servicio de Asistencia al Cliente de Federal Signal al 708-534-4756 o al 877-289-3246.

**Cuadro 2** Piezas de repuesto

<b>Descripción</b>	<b>Número de pieza</b>
Placa base	K2001154
Tablero de conmutación (300VSC-1)	K2001147
Tablero de conectores de las tarjetas de tono	K2001164
Enchufe conector, TB1, 17 posiciones	K140A332-17
Enchufe conector, TB2, 16 posiciones	K140A332-16

## **Servicio de reparación o asistencia técnica**

Los productos devueltos para reparación requieren un formulario de autorización de devolución de su distribuidor local o de Federal Signal. Para obtener el servicio de reparación o asistencia técnica de Federal Signal, llame al 708-534-4756 o al 877-289-3246.

Para ver manuales de instrucciones e información sobre productos relacionados, visite: <http://www.federal-signal-indust.com>.

## **Cómo devolver el producto para obtener crédito**

Las devoluciones de productos para obtener crédito requieren una autorización de devolución de su distribuidor local antes de devolver el producto a Federal Signal. Póngase en contacto con su distribuidor para obtener ayuda.

Un producto está calificado para ser devuelto para obtener un crédito cuando se cumplen los siguientes requisitos:

- El producto está en su empaque original y se puede revender
- El producto no se ha instalado anteriormente
- El producto es la versión actual
- El producto no se ha reparado anteriormente
- El producto es un producto estándar
- El producto no es una pieza de reparación

Todas las devoluciones están sujetas a una tasa de manejo de existencias.

## ***Manual de instalación y mantenimiento***

---

Los productos defectuosos que son devueltos en el plazo de garantía serán reparados o reemplazados a criterio de Federal Signal. Los productos defectuosos no incluyen aquellos productos con fallas en la lámpara.

Otras circunstancias que no hayan sido enumeradas anteriormente se tratarán de acuerdo a cada caso.





**Industrial Systems**

2645 Federal Signal Drive • University Park, IL 60484-3167

Tel: 708-534-4756 • 877-289-3246 • Fax: 708-534-4852

Email: [elp@federalsignal.com](mailto:elp@federalsignal.com) • [www.federalsignal-indust.com](http://www.federalsignal-indust.com) • [www.fs-isys.com](http://www.fs-isys.com)





**MICROWATT**

*Making Safety Work*

**Tollfree in Western Canada: 1-888-388-1592**  
**microwatt.com • mwsales@microwatt.com**