



FEDERAL SIGNAL

Safety and Security Systems / Industrial

Advancing security and well-being.

Model 191XL Series Beacon for Use in Hazardous Conditions



Installation and Maintenance Manual

2561421G
REV. G 513
Printed in U.S.A.

français.....page 21
español.....página 41



Warranty – Seller warrants all goods for five years on parts and 2-1/2 years on labor, under the following conditions and exceptions: Seller warrants that all goods of Seller's manufacture will conform to any descriptions thereof for specifications which are expressly made a part of this sales contract and at the time of sale by Seller such goods shall be commercially free from defects in material or workmanship. Seller reserves the right at the Seller's discretion to "Repair and Return" or "Replace" any item deemed defective during the warranty period. This warranty does not cover travel expenses, the cost of specialized equipment for gaining access to the product, or labor charges for removal and reinstallation of the product. This warranty shall be ineffective and shall not apply to goods that have been subjected to misuse, neglect, accident, damage, improper maintenance, or to goods altered or repaired by anyone other than Seller or its authorized representative, or if five years have elapsed from the date of shipment of the goods by Seller with the following exceptions: lamps and strobe tubes are not covered under this warranty. Outdoor warning sirens and controllers manufactured by Federal Warning Systems are warranted for two years on parts and one year on labor. No agent, employee, representative or distributor of Seller has any authority to bind the Seller to any representation, affirmation, or warranty concerning the goods and any such representation, affirmation or warranty shall not be deemed to have become a part of the basics of the sales contract and shall be unenforceable. THE FOREGOING WARRANTIES ARE EXCLUSIVE AND IN LIEU OF ALL OTHER WARRANTIES OR MERCHANTABILITY, FITNESS FOR PURPOSE AND OF ANY OTHER TYPE, WHETHER EXPRESS OR IMPLIED. These warranties shall not apply unless Seller shall be given reasonable opportunity to investigate all claims for allegedly defective goods. Upon Seller's instruction a sample only of allegedly defective goods shall be returned to Seller for its inspection and approval. The basis of all claims for alleged defects in the goods not discoverable upon reasonable inspection thereof pursuant to paragraph 8 hereof must be fully explained in writing and received by Seller within thirty days after Buyer learns of the defect or such claim shall be deemed waived.



Industrial Systems
2645 Federal Signal Drive • University Park, IL 60484-3167
Phone: 1-877-289-3246 • 1-708-534-4756 • Fax: 1-708-534-4887
www.federal-signal-indust.com • www.fs-isys.com

Contents

Safety Messages to Installers	5
An Overview of the 191XL Series.....	6
Unpacking the Beacon.....	7
Pipe-Mounting the Beacon (191XL)	8
Surface-Mounting the Beacon (191XL-S).....	10
Wiring the Beacon	11
Wiring 120-240 Vac, 277 Vac Models.....	12
Wiring 24 Vac/dc Models.....	12
Safety Message to Maintenance Personnel	12
Changing from Flash Mode to Steady Mode.....	13
Cleaning the Fixture	16
Lubricating the Threaded Joint.....	17
Ordering Replacement Parts	17
Getting Repair Service and Technical Assistance	18
Returning the Product for Credit	18

Tables

Table 1 Electrical ratings.....	7
Table 2 Installation environment ratings.....	7
Table 3 Ambient and operating temperature range.....	8
Table 4 Replacement parts	17

Figures

Figure 1 Pipe-mounted beacon 9

Figure 2 Surface-mounted beacon 10

Figure 3 PCB removed from housing 15

Figure 4 Location of jumper J3 on PCB..... 16

Safety Messages to Installers

WARNING

It is important to follow all instructions shipped with this product. This device is to be installed by a trained electrician who is thoroughly familiar with the National Electrical Code and/or Canadian Electrical Code and will follow the NEC and/or CEC Guidelines as well as all local codes. This beacon should be considered a part of the warning system and not the entire warning system.

The selection of the mounting location for the beacon, its controls and the routing of the wiring are to be accomplished under the direction of the facilities engineer and the safety engineer. In addition, listed below are some other important safety instructions and precautions you should follow:

- Read and understand all instructions before installing or operating this beacon.
- Do not connect this beacon to the system when power is on.
- Do not disconnect the beacon while circuit is live or unless the area is known to be free of ignitable concentrations. Keep the beacon tightly closed when in operation.
- After installation, make sure that all set screws and threaded joints are properly tightened.
- Never alter the unit in any manner. Safety in hazardous locations may be endangered if additional openings or other alterations are made in units specifically designed for use in these locations.
- To be an effective warning device, this product produces bright beacon that can be hazardous to your eyesight when viewed at a close range. Do not stare directly into this lighting product at a close range or permanent damage to your eyesight may occur.

Installation and Service Instructions

- After installation, test the beacon to make sure that it is operating properly.
- Keep the unit tightly closed when in operation.
- After testing is complete; provide a copy of this instruction booklet to all personnel.
- Establish a procedure to routinely check the beacon for proper activation and operation.

Failure to follow all safety precautions and instructions may result in property damage, serious injury, or death.

An Overview of the 191XL Series

This equipment is suitable for use in Class I, Division 2, Groups A, B, C and D; Class II, Division 1, Groups E, F & G; Class III OR non-hazardous locations only.

This strobe light can be mounted to a Federal Signal Model LHWB bracket. If installed in this way, the entire assembled device is suitable only for Class I, Div. 2, Groups A, B, C, and D; Class II, Div. 2, Groups F and G; Class III locations.

The Model 191XL LED Beacon is a UL listed visual signal for operation in harsh environments and hazardous locations and has been investigated by UL as meeting Type 4X and IP66 enclosure requirements. The unit is rated for operation on 100 Vac to 265 Vac, 50/60 Hz, 0.21 A; 277 Vac, 50/60 Hz, 0.13A; or 24 Vdc/ ac 50/60 Hz, 0.40 A. The 191XL can be supplied with colors of red, amber, green, blue, and clear. The 191XL is factory-set to operate 60 flashes/minute. There is an option to operate the LED Beacon in Steady Mode. (See “Changing from Flash Mode to Steady Mode” on page 13). Models are available for pipe mounting (191XL) or surface mounting (191XL-S).

These devices are intended for permanent installation and operation in accordance with Title 46, Code of Federal Regulations, Parts 110–113, or Title 33, Code of Federal Regulations, Part 183, Sub-part I, Section 183.410, and the

applicable requirements of the American Boat and Yacht Council, Inc., and/or ANSI/NFPA 302, “Fire Protection Standard for Pleasure and Commercial Motor Craft.”

Unpacking the Beacon

⚠ WARNING

EXPLOSION HAZARD—Damaged domes can lead to explosions that could result in serious injury or death.

After unpacking the beacon, examine it for damage that may have occurred in transit. If the beacon has been damaged, do not attempt to install or operate it. File a claim immediately with the carrier, stating the extent of the damage. Carefully check all envelopes, shipping labels, and tags before removing or discarding them. Disposal of all shipping materials must be carried out in accordance with national and local codes and standards. If any parts are missing, please call Federal Signal Customer Support at 708-534-4756 or 877-289-3246.

Table 1 Electrical ratings

Operating Voltage:	24 Vdc/ac	100–265, 277 Vac	277 Vac
Flashes/Minute:	60 FPM	60 FPM	60 FPM
Maximum Operating Current:	380 mA	210 mA	130 mA
Frequency:	DC/50/60	50/60	50/60
DC In-Rush Current:	1.75 A at 24 Vdc for 5 ms		
AC In-Rush Current:	2.0 A at 85 Vac and 1.5 A at 265 and 277 Vac for 0.25 ms		

Table 2 Installation environment ratings

Ambient Storage Rating: –55 °C to +70 °C
Ambient Operating Rating: –50 °C to +66 °C
Type 4X (water-tight and corrosion resistant) and indoor/outdoor use
IP66 (dust-tight and protection against heavy seas) and outside type (saltwater)

Table 3 Ambient and operating temperature range

	Temperature Code or Maximum Temperature, °C								
	40 °C Ambient			55 °C Ambient			66 °C Ambient		
Hazardous Locations	24 V	100–265 Vac	277 Vac	24 V	100–265 Vac	277 Vac	24 V	100–265 Vac	277 Vac
Class I, Div 2, Groups A, B, C, and D	T6	T6	T5	T5	T5	T5	T4A	T4A	T5
Class II, Div 1, Groups E, F, and G	T6	T6	T6	T6	T6	T6	T6	T6	T6
Class III	T6	T6	T6	T6	T6	T6	T6	T6	T6

Pipe-Mounting the Beacon (191XL)

⚠ WARNING

EXPLOSION HAZARD—To reduce the risk of fire or explosion, do not install the beacon in a hazardous location if the operating temperature exceeds the hazardous atmosphere’s ignition temperature. Before proceeding, consult the product nameplate and determine the operating temperature of the beacon.

NOTE: To comply with NEC Section 300-14, which requires a minimum of 6 inches (15.25 cm) of free conductor at a junction, when mounting the Model 191XL, the mounting pipe used to join the unit to a splice box should be no longer than 10 inches (25.4 cm).

The Model 191XL has provisions for mounting a 3/4" pipe and can be mounted in any position.

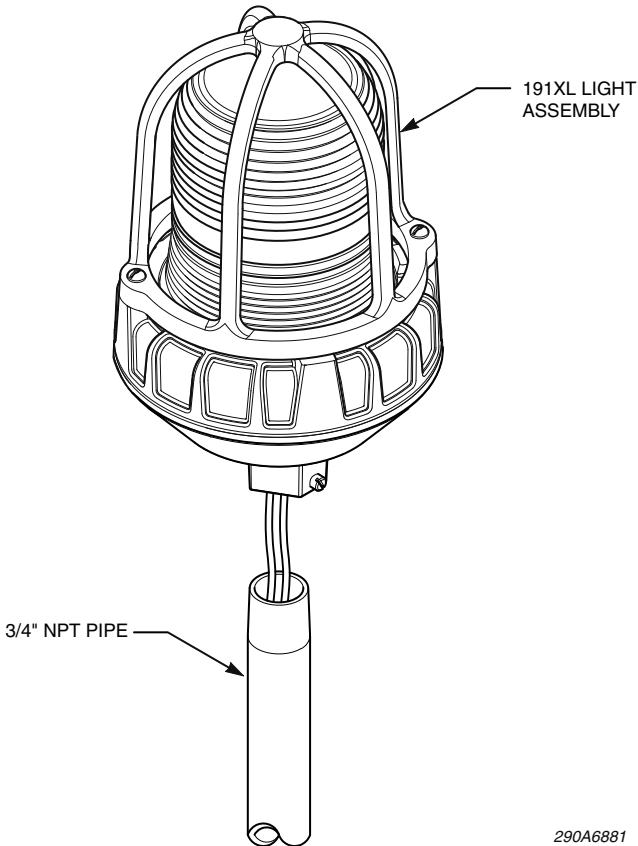
1. Before mounting the beacon, ensure that the mating threads are clean.
2. To prevent the ingress of water and dust, apply conductive sealant to the conduit threads prior to mounting. If non-conductive sealant is used, the enclosure must be earthed via the provided internal grounding wire/grounding screw to ensure proper grounding continuity.

3. In high-humidity environments when units are mounted dome down, condensation may occur in the conduit system. Use properly rated conduit seals/drains to prevent moisture from entering the fixture.

IMPORTANT: To prevent the connection from loosening, tighten the fixture to a MINIMUM torque of 5 ft-lb (6.8 N·m) after threading it onto the pipe.

4. Thread the fixture onto the 3/4" pipe and secure it with the set screw.

Figure 1 Pipe-mounted beacon



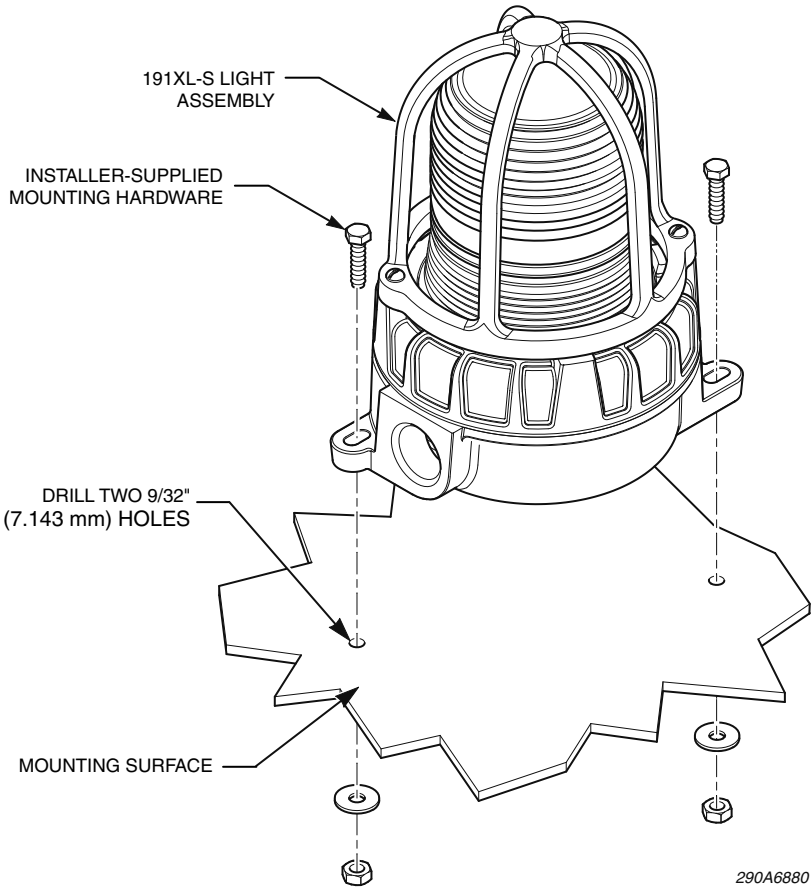
290A6881

Surface-Mounting the Beacon (191XL-S)

To surface mount the beacon:

1. Use the mounting base as a template to mark the location of the two mounting holes.
2. Drill a 9/32 inch (7.143 mm) hole at each mark.
3. Secure the beacon to the mounting surface with installer supplied hardware.

Figure 2 Surface-mounted beacon



Wiring the Beacon

⚠ WARNING

SHOCK HAZARD—*To avoid electrical shock hazards, do not connect wires while power is applied.*

⚠ WARNING

EXPLOSION HAZARD

Do not disconnect the beacon while the circuit is live or unless the area is known to be free of ignitable concentrations. Keep the beacon tightly closed when in operation.

Wiring must comply with the National Electrical Code or Canadian Electrical Code and the local authority having jurisdiction.

The Model 191XL Series LED Beacon should be installed per the NEC or CEC, STATE and LOCAL CODES. Alternate installation locations and/or orientations should only be performed with the approval of the authority having jurisdiction. In addition, the unit can be mounted using an optional ceiling mount or optional wall mount.

⚠ WARNING

SHOCK HAZARD—*To avoid electrical shock hazards, do not connect wires while power is applied.*

NOTE: 191XL beacons that are 24 V models are designed to operate on AC and DC supply voltages. The 120-240 Vac model is designed to operate 100 Vac to 265 Vac at 50/60 Hz. See Table 1 on page 7 for electrical ratings.

NOTICE

REVERSE POLARITY/MISWIRING—*The 191XL is not polarity sensitive, but MAY BE DAMAGED by incorrect electrical hookup. Damage will result if the voltage rating of the particular model is exceeded.*

Installation and Service Instructions

NOTE: Field terminations made inside of the surface mount enclosure will require the printed circuit board (PCB) assembly to be removed from the housing. See Figure 3 on page 15 and follow steps 1–4 and 6–8 of “Changing from Flash Mode to Steady Mode” on page 13 for the PCB removal and installation process.

The surface mount enclosure is not suitable for feed-through branch-circuit conductors.

Wiring 120-240 Vac, 277 Vac Models

The 120-240 Vac and 277 Vac models are supplied with three 24-inch leads: white, black, and green/yellow. Connect the black lead to the phase (hot) side of the power source and the white lead to the common (neutral) side of the power source. If required, the green/yellow lead in the housing is provided for connection to an earth ground.

Wiring 24 Vac/dc Models

The 24 Vac/dc models are supplied with two 24" leads, one red and one black. Connect the red (+) lead to the positive or phase (hot) side of the power source and the black (–) lead to the negative or common (neutral) side of power source.

Safety Message to Maintenance Personnel

⚠ WARNING

Listed below are some important safety instructions and precautions you should follow:

- Read and understand all instructions before operating this system.
- Any maintenance to the light system must be done with power turned off.
- Any maintenance to the light system must be performed by a trained electrician who is thoroughly familiar with all applicable national and local codes in the country of use.
- Do not connect this beacon to the system when power is on.

- Do not disconnect the beacon while circuit is live or unless the area is known to be free of ignitable concentrations. Keep the beacon tightly closed when in operation.
- Never alter the unit in any manner. Safety of the unit may be affected if additional openings or other alterations are made to the internal components or housing.
- The nameplate should NOT be obscured, as it contains cautionary and/or other information of importance to maintenance personnel. Ensure the nameplate remains readable if the housing exterior is painted.
- If the dome is damaged in any way, it MUST be replaced.
- After performing any maintenance, test the light system to ensure that it is operating properly.

Failure to follow all safety precautions and instructions may result in property damage, serious injury, or death to you or others.

Changing from Flash Mode to Steady Mode

WARNING

EXPLOSION HAZARD—To prevent ignition of hazardous atmospheres, disconnect the fixture from the supply circuit before opening it.

WARNING

EXPLOSION HAZARD—Do not disconnect the beacon while circuit is live or unless the area is known to be free of ignitable concentrations. Keep the beacon tightly closed when in operation.

WARNING

EXPLOSION HAZARD—To maintain the vapor-tight enclosure, do not damage the dome or threads while disassembling or reassembling the unit. Lubricated threaded joints exposed for long periods of time may attract small particles of dirt or other foreign materials. Housing and cover joints should be reassembled immediately, with all the threads fully engaged.

Installation and Service Instructions

To change from the default Steady Mode to Flashing Mode.

1. Disconnect power to the beacon.
2. See Figure 3 on page 15. Remove the threaded dome assembly by twisting it counterclockwise.
3. Using a No. 2 Phillips screwdriver, remove two #8-32 pan-head screws holding the printed circuit board assembly to the die-cast housing. Be sure to retain the two nylon screw bushings isolating the bracket from the screws.
4. Gently lift the printed circuit board (PCB) assembly from the housing and turn the assembly over to access the component side of the printed circuit board.
5. See Figure 4 on page 16. Locate jumper J3 and lift the jumper to remove it from “Flash” setting. Re-seat the jumper over the pins labeled “Steady.”
6. Place the printed circuit board assembly back into housing, making sure that four insulating pads are seated between the metal bracket and die-cast housing. The bracket must be oriented so that the notch in the bracket is aligned with the ground screw in the die-cast housing. This step must be carefully followed to prevent arcing and dielectric failure.
7. Slide two #8-32 pan-head screws into the screw bushings and tighten screws to secure the printed circuit board assembly to the die-cast housing.
8. Thread the dome assembly back onto the housing by turning it clockwise to tighten.

 WARNING

SHOCK HAZARD—To avoid electrical shock hazards, do not connect wires while power is applied.

9. Reconnect the beacon to power.

10. Test the device by applying power and verifying the steady operation of the LED lamp.

Figure 3 PCB removed from housing

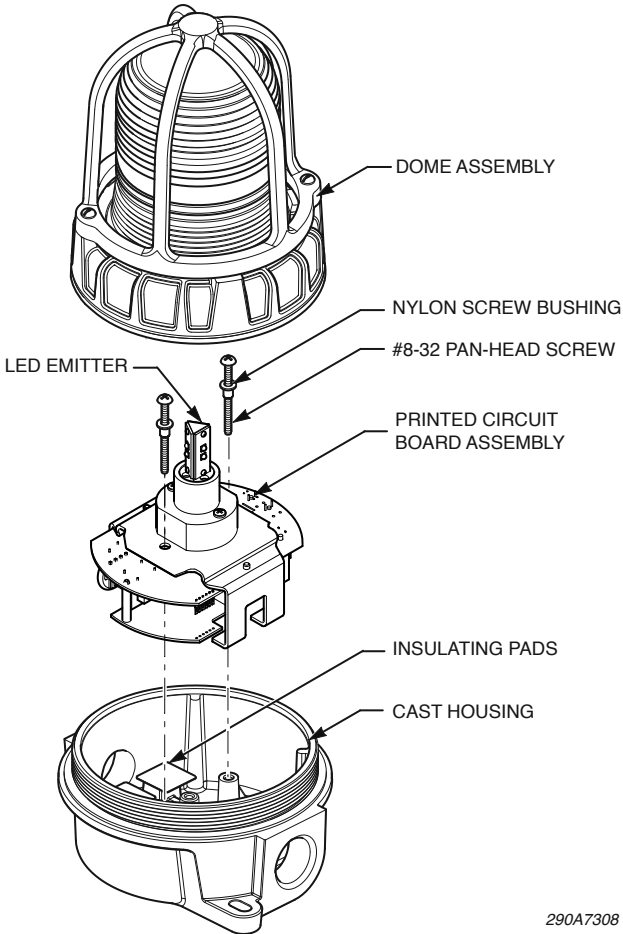
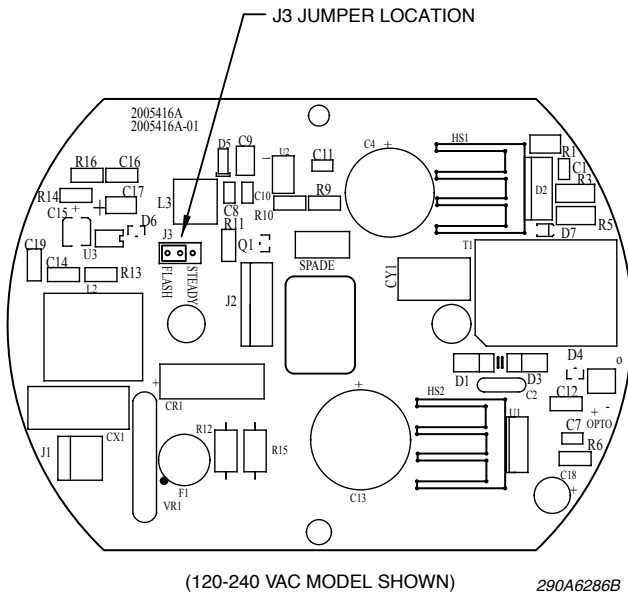


Figure 4 Location of jumper J3 on PCB



Cleaning the Fixture

⚠ WARNING

EXPLOSION HAZARD—Never use an abrasive material or file to remove corrosive materials from threaded surfaces. In extremely corrosive locations, equipment should be periodically inspected to guard against unusual deterioration and possible porosity, since this may weaken the enclosure structurally.

Maintenance procedures sometimes require fixtures to be hosed down for good housekeeping. The circuit should be turned off prior to hosing down the fixture.

The fixture should be cleaned periodically to maintain maximum light output. Only mild, non-abrasive cleaning agents should be used. The glass dome should be regularly inspected for scratches and chips, and if damaged, **MUST** be replaced.

Lubricating the Threaded Joint

The threaded joint on the cover should be kept well lubricated with a corrosion inhibiting grease such a petrolatum or soap-thickened mineral oil. If corrosive materials have accumulated on the threaded joints and cannot be removed with solvents, the parts should be discarded and replaced.

Ordering Replacement Parts

⚠ WARNING

EXPLOSION HAZARD—Substitution of components may impair suitability for Class I, Division 2.

Typical spare parts are listed Table 4. Due to certification, certain component parts are not available for field replacement. Units with this type of damage must be either replaced entirely or returned to Federal Signal for service. To order replacement parts, please call Federal Signal Customer Support at 708-534-4756 or 877-289-3246.

Table 4 Replacement parts

Description	Part Number
Dome Assy., Amber	K8449078-01
Dome Assy., Blue	K8449078-06
Dome Assy., Clear	K8449078-04
Dome Assy., Green	K8449078-07
Dome Assy., Red	K8449078
Gasket	K8449080
Grease, 8 oz Tube	KR81-05-01
Dome Guard	K8449090
LED Emitter, Amber	K14700030-A
LED Emitter, Blue	K14700030-B
LED Emitter, Green	K14700030-G
LED Emitter, Red	K14700030-R
LED Emitter, White	K14700030-W

Getting Repair Service and Technical Assistance

Products returned for repair require a Return Authorization form. To obtain repair service or technical assistance for the product, call Federal Signal at 708-534-4756 or 877-289-3246. For instruction manuals and information on related products, visit:
<http://www.federal-signal-indust.com>

Returning the Product for Credit

Product returns for credit require a return authorization from your local distributor prior to returning the product to Federal Signal. Please contact your distributor for assistance.

A product is qualified to be returned for credit when the following conditions are met:

- Product is resalable and in the original cartons
- Product has not been previously installed
- Product is the current revision
- Product has not been previously repaired
- Product is a standard product
- Product is not a service part

All returns are subject to a re-stock fee.

Defective products that are returned within the warranty period will be repaired or replaced at Federal Signal's sole discretion. Defective products do not include those products with lamp failure.

Circumstances other than those listed above will be addressed on a case-by-case basis.



Federal Signal Corporation
Industrial Products
2645 Federal Signal Drive
University Park, IL 60484-3167
Phone: +1 877 289 3246 • +1 708-534-4756 • Fax: +1 708 534 4887
www.federal-signal-indust.com • www.fs-isys.com



FEDERAL SIGNAL
Safety and Security Systems / Industrial

Advancing security and well-being.

La lumière DEL 191XL pour les endroits dangereux



Instructions d'installation et d'entretien

2561421G
REV. G 513
Imprimé aux États-Unis



Garantie – Le vendeur offre pour tous les produits une garantie de cinq ans sur les pièces et de 2,5 ans sur la main-d’oeuvre, selon les conditions et exceptions suivantes : le vendeur garantit que tous les produits qu’il fabrique seront conformes aux descriptions correspondant aux spécifications qui font expressément partie de ce contrat de vente et qu’au moment de la vente par le vendeur, de tels produits devront être exempts de défauts de matériel et de fabrication. Le vendeur se réserve le droit, à sa discrétion, de « réparer et renvoyer » ou de « remplacer » tout article jugé défectueux durant la période de garantie. Cette garantie ne couvre pas les frais de voyage, le coût de l’équipement spécialisé pour avoir accès au produit ou les frais de main-d’oeuvre liés au retrait et à la réinstallation du produit. Cette garantie sera inopérante et ne s’appliquera pas aux produits qui ont subi un mauvais usage, une négligence, un accident, des dommages ou un entretien inapproprié, ou aux produits modifiés ou réparés par toute personne autre que le vendeur ou son représentant autorisé, ou si cinq ans se sont écoulés depuis la date de l’envoi des produits par le vendeur avec les exceptions suivantes : les lampes et les tubes stroboscopiques ne sont pas couverts par cette garantie. Les sirènes d’alarme extérieures et les appareils de contrôle fabriqués par Federal Warning Systems sont couverts par une garantie de deux ans sur les pièces et de un an sur la main-d’oeuvre. Aucun agent, employé, représentant ou distributeur du vendeur n’a autorité pour lier celui-ci à une représentation, affirmation ou garantie relative aux produits et une telle représentation, affirmation ou garantie ne pourra pas être considérée comme faisant partie des généralités du contrat de vente et sera inexécutable. LES GARANTIES CI-DESSUS SONT EXCLUSIVES ET TIENNENT LIEU DE TOUTES LES AUTRES GARANTIES DE QUALITÉ MARCHANDE, DE COMPATIBILITÉ À UN USAGE PARTICULIER OU D’UN AUTRE TYPE, QU’ELLES SOIENT EXPRESSES OU IMPLICITES. Ces garanties ne s’appliqueront pas si le vendeur n’a pas la possibilité raisonnable d’enquêter sur toutes les réclamations de produits présumés défectueux. À la demande du vendeur, un seul échantillon des produits présumés défectueux lui sera renvoyé pour inspection et approbation. La raison de toute réclamation pour des défauts présumés dans les produits ne pouvant être découverts après une inspection raisonnable en vertu du paragraphe 8 ci-contre doit être entièrement expliquée par écrit et reçue par le vendeur dans les trente jours après que l’acheteur a pris connaissance du défaut. Sinon, une telle réclamation sera considérée comme nulle.



Industrial Systems

2645 Federal Signal Drive • University Park, IL 60484-3167
Phone: 1-877-289-3246 • 1-708-534-4756 • Fax: 1-708-534-4887
www.federal-signal-indust.com • www.fs-isys.com

Contenu

Messages de sécurité destinés aux installateurs	25
Tour d'horizon de la gamme 191XL	26
Déballage de la lumière.....	27
Installation de la lumière sur un tuyau (191XL).....	28
Installation de la lumière sur une surface (191XL-S)	30
Câblage de la lumière.....	31
Schémas de câblage de 120-240 V à 277 V c.a.....	32
Schémas de câblage de 24 V c.a./c.c.....	32
Messages de sécurité destinés au personnel d'entretien	32
Passer du mode clignotant au mode continu.....	34
Nettoyage de l'appareil	37
Lubrification du joint fileté	38
Commander des pièces de rechange.....	38
Faire appel au service de réparations et à l'assistance technique.....	39
Renvoi du produit pour obtention d'un crédit.....	39

Tableaux

Tableau 1 Valeurs électriques.....	27
Tableau 2 Données liées à l'environnement lors de l'installation.....	28
Tableau 3 Plage de températures ambiantes et de fonctionnement.....	28
Tableau 4 Pièces de rechange	38

Figures

Figure 1 Lumière fixée sur un tuyau29

Figure 2 Lumière fixée sur une surface30

Figure 3 Retrait de la carte de circuit imprimé du boîtier35

Figure 4 Emplacement du cavalier J3 sur la carte de circuit imprimé ...37

Messages de sécurité destinés aux installateurs

⚠️ AVERTISSEMENT

Bien suivre toutes les instructions fournies avec ce produit. Cet appareil doit être installé par un électricien qualifié qui connaît parfaitement le Code national de l'électricité et/ou le Code canadien de l'électricité, et suivra les directives du CNE et/ou du CCE, ainsi que des codes locaux. Cette lumière doit être considérée comme faisant partie du système d'avertissement et non comme le système lui-même.

Le choix du lieu d'installation de la lumière, de ses commandes et le passage des câbles doivent s'effectuer sous la direction de l'ingénieur des installations et de l'ingénieur de la sécurité. De plus, d'autres précautions et instructions importantes relatives à la sécurité et à observer figurent dans la liste ci-dessous :

- Bien lire et comprendre toutes les instructions avant d'installer ou d'utiliser cette lumière.
- Ne pas connecter cette lumière au système lorsque ce dernier est sous tension.
- Ne débrancher la lumière que si le circuit est sous tension ou si vous avez vérifié qu'il n'y a pas de concentrations de produits inflammables dans la zone. Lors du fonctionnement, la lumière doit être hermétiquement fermée.
- Après l'installation, s'assurer que toutes les vis de fixation et tous les joints filetés sont correctement serrés.
- Ne jamais modifier cet appareil de quelque façon que ce soit. Le fait de ménager d'autres ouvertures ou d'apporter d'autres modifications à des appareils spécialement conçus pour des emplacements dangereux peut compromettre la sécurité.
- Pour être un avertisseur efficace, ce produit émet une lumière vive pouvant être dangereuse pour la vue si elle est regardée de près. Ne pas regarder fixement et de près cet appareil lumineux car cela pourrait endommager de façon permanente la vision.

Instructions d'installation et d'entretien

- Après l'installation, tester la lumière pour vérifier son bon fonctionnement.
- Maintenir l'appareil hermétiquement fermé pendant son fonctionnement.
- Une fois le test complété, distribuer une copie de ce livret d'instructions à tous les membres du personnel.
- Établir une procédure de vérification régulière de l'activation correcte et du bon fonctionnement de la lumière.

Le non-respect de toutes les précautions et instructions de sécurité peut provoquer des dommages à la propriété, des blessures graves voire la mort.

Tour d'horizon de la gamme 191XL

Cet appareil ne convient qu'aux emplacements de la classe I, division 2, groupes A, B, C et D; de la classe II, division 1, groupes E, F et G; de la classe III OU aux emplacements non dangereux.

Cette lumière stroboscopique peut être montée sur un support LHWB de Federal Signal. Dans ce cas, l'installation finale n'est destinée qu'à des emplacements de la classe I, division 2, groupes A, B, C et D; de la classe II, division 2, groupes F et G; de la classe III.

La lumière DEL 191XL est un signal visuel homologué UL, conçu pour les conditions difficiles et les endroits dangereux. UL a effectué des tests concluants sur la protection 4X et IP66 de son boîtier. L'appareil est conçu pour être alimenté par un circuit de 100 V c.a. à 265 V c.a. à 50/60 Hz et 0,21 A, de 277 V c.a. à 50/60 Hz et 0,13 A, ou de 24 V c.c./V c.a. à 50/60 Hz et 0,40 A. Le modèle 191XL est proposé en rouge, ambre, vert, bleu et transparent. Par ailleurs, le 191XL est réglé en usine sur un rythme de 60 flashes par minute. Une option permet de placer la lumière DEL en mode continu. (Voir « Passer du mode clignotant au mode continu », page 34). Certains modèles se fixent sur un tuyau (191XL).

Ces appareils sont conçus pour être installés de manière permanente et être utilisés conformément aux dispositions du titre 46 du Code of Federal Regulations, parties 110 à 113, ou du titre 33 du même document, partie 183, sous-partie I, section 183.410, ainsi que des dispositions applicables de l'American Boat and Yacht Council, Inc. et/ou de la norme ANSI/NFPA 302 intitulée « Fire Protection Standard for Pleasure and Commercial Motor Craft ».

Déballage de la lumière

⚠ AVERTISSEMENT

RISQUE D'EXPLOSION – S'ils sont abîmés, les dômes peuvent provoquer des explosions susceptibles d'entraîner des blessures graves, voire la mort.

Après avoir déballé la lumière, l'inspecter pour vérifier qu'aucun dommage n'est survenu lors du transport. Si la lumière a été endommagée, ne pas essayer de l'installer ou de l'utiliser. Déposer immédiatement une réclamation auprès du transporteur en précisant l'étendue des dégâts. Vérifier avec soin toutes les enveloppes, étiquettes d'expédition et autres étiquettes avant de les retirer ou de les détruire. La mise au rébus de tout matériel de transport doit être effectuée conformément aux normes et codes locaux et nationaux. En cas de pièces manquantes, communiquer avec le Service à la clientèle de Federal Signal au 708-534-4756 ou 877-289-3246.

Tableau 1 Valeurs électriques

Tension de fonctionnement :	24 V c.c./c.a.	100-265, 277 V c.a.	277 V c.a.
Flash/minute :	60 FPM	60 FPM	60 FPM
Courant de fonctionnement maximum :	380 mA	210 mA	130 mA
Fréquence :	DC/50/60	50/60	50/60
Courant d'appel DC :	1,75 A à 24 V c.c. pour 5 ms		
Courant d'appel AC :	2,0 A à 85 V c.a. et 1,5 A à 265 et 277 V c.a. pour 0,25 ms		

Instructions d'installation et d'entretien

Tableau 2 Données liées à l'environnement lors de l'installation

Températures ambiantes de stockage : - 55 °C à + 70 °C
Type 4X (étanche à l'eau et résistant à la corrosion) et utilisation à l'intérieur/à l'extérieur
IP66 (protection anti-poussière et protection contre les fortes mers) et utilisation extérieure (eau de mer)
IP66 (protection anti-poussière et protection contre les fortes mers) et utilisation extérieure (eau de mer)

Tableau 3 Plage de températures ambiantes et de fonctionnement

	Code de température ou température maximale, °C								
	40 °C ambiants			55 °C ambiants			66 °C ambiants		
Endroits dangereux	24 V	100–265 V c.a.	277 V c.a.	24 V	100–265 V c.a.	277 V c.a.	24 V	100–265 V c.a.	277 V c.a.
Classe I, division 2, groupes A, B, C et D	T6	T6	T5	T5	T5	T5	T4A	T4A	T5
Classe II, division 1, groupes E, F, et G	T6	T6	T6	T6	T6	T6	T6	T6	T6
Classe III	T6	T6	T6	T6	T6	T6	T6	T6	T6

Installation de la lumière sur un tuyau (191XL)

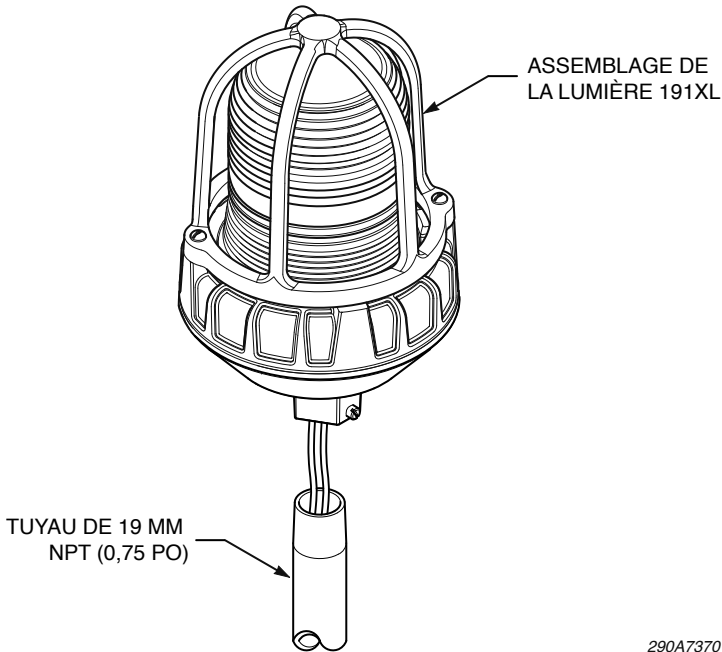
⚠ AVERTISSEMENT

RISQUES D'EXPLOSION — *Pour réduire les risques d'incendie ou d'explosion, ne pas installer la lumière dans un endroit dangereux si la température de fonctionnement dépasse le point d'inflammation de l'atmosphère dangereuse. Avant toute chose, consulter la plaque signalétique du produit pour connaître la température de fonctionnement de la lumière.*

REMARQUE : Conformément à la section 300-14 du NEC, qui exige une longueur minimale de 15,25 cm (6 po) de conducteur libre au raccordement, le tuyau utilisé pour raccorder l'appareil au boîtier de branchement lors de l'installation du modèle 191XL ne doit pas dépasser 25,4 cm (10 po).

Le modèle 191XL est conçu pour être fixé sur un tuyau de 19 mm (0,75 po), dans n'importe quelle position.

Figure 1 Lumière fixée sur un tuyau



1. Avant l'installation de la lumière, vérifier que les filets correspondants sont propres.
2. Pour empêcher l'eau et la poussière d'entrer dans l'appareil, appliquer du produit d'étanchéité aux filets du conduit avant l'installation. Si le produit d'étanchéité utilisé n'est pas conducteur, le boîtier doit être mis à la terre grâce au fil ou à la vis de mise à la terre interne prévu à cet effet, afin d'assurer la continuité correcte de la mise à la terre.
3. En cas d'installation du dôme vers le bas dans des milieux très humides, de la condensation peut apparaître dans les conduits. Utiliser des évacuations ou des joints pour conduits correctement adaptés afin que l'humidité ne puisse pas pénétrer dans l'appareil.

Instructions d'installation et d'entretien

IMPORTANT : Pour éviter que le raccord ne se desserre, serrer l'appareil à un couple **MINIMUM** de 6,8 N·m (5 pi-lb) après le filetage dans le tuyau.

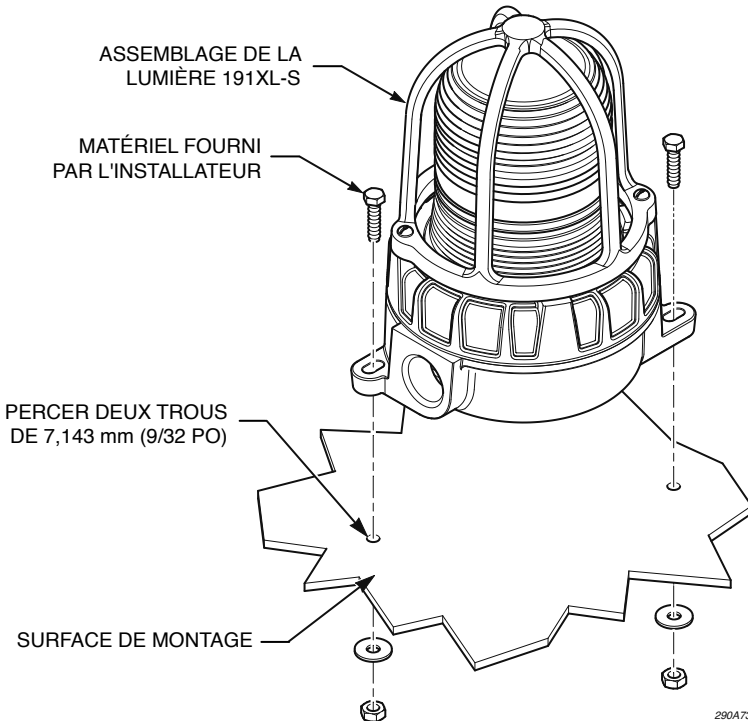
4. Visser l'appareil sur le tuyau de 19 mm (0,75 po) et le fixer à l'aide de la vis de fixation.

Installation de la lumière sur une surface (191XL-S)

Pour fixer la lumière sur une surface :

1. Se servir de la base comme d'un modèle pour marquer l'emplacement des deux trous de fixation.
2. Percer un trou de 7,143 mm (9/32 po) à chaque emplacement.
3. Fixer la lumière sur la surface de montage à l'aide du matériel fourni par l'installateur.

Figure 2 Lumière fixée sur une surface



Câblage de la lumière

⚠️ AVERTISSEMENT

RISQUE DE CHOC ÉLECTRIQUE — Afin d'éviter les dangers de chocs électriques, ne pas brancher de fil tant que l'alimentation est activée.

⚠️ AVERTISSEMENT

RISQUES D'EXPLOSION — Ne débrancher la lumière que si le circuit est sous tension, ou si vous avez vérifié qu'il n'y a pas de concentration de produits inflammables dans la zone. Lors du fonctionnement, la lumière doit être hermétiquement fermée.

Le câblage doit être conforme aux dispositions du Code national de l'électricité ou du Code canadien de l'électricité et des dispositions des autorités locales compétentes.

La lumière à DEL de la gamme 191XL doit être installée conformément au Code national de l'électricité ou au Code canadien de l'électricité, aux CODES PROVINCIAUX et aux CODES LOCAUX. Pour procéder à l'installation à un autre endroit et/ou dans un autre sens, il vous faut l'approbation de l'autorité compétente. En outre, il est possible de fixer l'appareil à l'aide d'un montant pour plafond ou pour mur, offert en option.

⚠️ AVERTISSEMENT

RISQUE DE CHOC ÉLECTRIQUE — Pour éviter les chocs électriques, ne pas brancher les fils lorsque l'appareil est sous tension.

REMARQUE : Le modèle 191XL qui est un modèle de 24 V est conçu pour fonctionner sous des tensions d'alimentation CA et CC. Le modèle de 120 à 240 V c.a. est conçu pour fonctionner sous des tensions comprises entre 100 V c.a. et 265 V c.a.

AVIS

POLARITÉ INVERSÉE/MAUVAIS BRANCHEMENT — Bien qu'il ne soit pas polarisé, l'appareil 191XL PEUT S'ABÎMER s'il est mal branché. En particulier, il peut subir des dégâts en cas de dépassement de la tension nominale du modèle particulier.

REMARQUE : Pour effectuer des connexions sur le terrain à l'intérieur du boîtier de montage en surface, il faut retirer la carte de circuit imprimé du boîtier. Voir figure 3 page 35 et suivre les étapes 1 à 4 et 6 à 8 du chapitre « Passer du mode clignotant au mode continu » page 34, pour la procédure de retrait et d'installation de la carte de circuit imprimé.

Le boîtier de montage en surface ne convient pas aux conducteurs raccordés à une dérivation en passage continu.

Schémas de câblage de 120-240 V à 277 V c.a.

Les modèles de 120-240 V c.a. et 277 V c.a. sont fournis avec trois fils de 61 cm (24 po) : blanc, noir et vert/jaune. Connecter le fil noir au côté (chaud) de la phase de la source d'alimentation et le fil blanc au côté (neutre) commun de la source d'alimentation. Au besoin, le fil vert/jaune se trouvant à l'intérieur du boîtier est prévu pour la mise à la terre.

Schémas de câblage de 24 V c.a./c.c.

Les modèles de 24 V c.a./c.c. sont fournis avec deux fils de 61 cm (24 po), un rouge et un noir. Connecter le fil rouge (+) au côté positif ou (chaud) de la phase de la source d'alimentation et le fil noir (-) au côté négatif ou (neutre) commun de la source d'alimentation.

Messages de sécurité destinés au personnel d'entretien

⚠ AVERTISSEMENT

Les précautions et instructions de sécurité à suivre sont listées ci-dessous :

- Bien lire et comprendre toutes les instructions avant d'utiliser ce système.
- L'entretien du système lumineux doit s'effectuer lorsque l'alimentation est coupée.

- L'entretien de la lumière doit être exécuté par un électricien formé qui connaît bien les codes nationaux et locaux en vigueur du pays d'utilisation.
- Ne pas connecter cette lumière au système lorsque ce dernier est sous tension.
- Ne débrancher la lumière que si le circuit est sous tension ou si vous avez vérifié qu'il n'y a pas de concentrations de produits inflammables dans la zone. Lors du fonctionnement, la lumière doit être hermétiquement fermée.
- Ne jamais modifier cet appareil de quelque façon que ce soit. La sûreté de l'appareil peut être compromise si des composants internes ou le boîtier sont percés ou modifiés.
- La plaque signalétique NE DOIT PAS être masquée, car elle comporte des avertissements et/ou d'autres données importantes pour le personnel d'entretien. Si le boîtier extérieur est peint, veiller à ce que la plaque signalétique reste lisible.
- Si le dôme est abîmé d'une manière ou d'une autre, il FAUT le remplacer.
- Après avoir effectué l'entretien, tester le système lumineux pour s'assurer du bon fonctionnement de la lumière.

Le non-respect de toutes les précautions et instructions de sécurité peut provoquer des dommages à la propriété, des blessures graves voire la mort, à vous ou aux autres personnes.

Passer du mode clignotant au mode continu

⚠️ AVERTISSEMENT

RISQUES D'EXPLOSION — *Pour éviter l'inflammation en cas d'atmosphère dangereuse, débrancher l'appareil du circuit d'alimentation avant de l'ouvrir.*

⚠️ AVERTISSEMENT

RISQUES D'EXPLOSION — *Ne débrancher la lumière que si le circuit est sous tension ou si vous avez vérifié qu'il n'y a pas de concentrations de produits inflammables dans la zone. Lors du fonctionnement, la lumière doit être hermétiquement fermée*

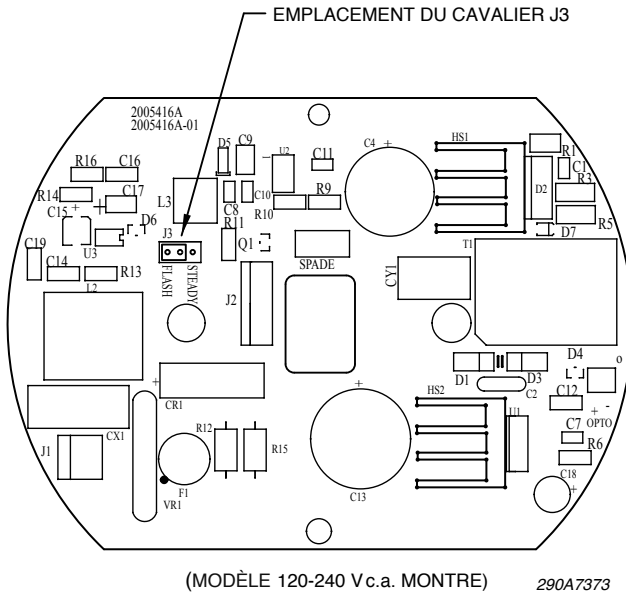
⚠️ AVERTISSEMENT

RISQUES D'EXPLOSION — *Pour que le boîtier reste étanche à la vapeur, éviter d'abîmer le dôme ou les filets lors du démontage ou de l'assemblage de l'appareil. Lorsque les joints filetés lubrifiés restent longtemps exposés, ils peuvent attirer de petites particules de poussière ou d'autres matières. Les joints du boîtier et du couvercle doivent être remontés immédiatement et les filets vissés jusqu'au bout.*

Pour passer du mode continu par défaut au mode clignotant.

1. Débrancher la lumière.
2. Voir la figure 3 page 35. Désassembler le dôme fileté en le tournant dans le sens antihoraire.
3. À l'aide d'un tournevis cruciforme n° 2, retirer les deux vis à tête tronconique 8-32 en insérant la carte de circuit imprimé dans le boîtier moulé. S'assurer de serrer les deux douilles de vissage en nylon en isolant le support des vis.
4. Soulever doucement la carte de circuit imprimé du boîtier et la retourner pour accéder au côté composant de la carte de circuit imprimé.
5. Voir figure 4 page 37. Localiser le cavalier J3 et le soulever pour le retirer du réglage « Clignotant ». Repositionner le cavalier au-dessus des broches marquées « Continu ».

Figure 3 Retrait de la carte de circuit imprimé du boîtier



6. Replacer la carte de circuit imprimé dans le boîtier, en s'assurant que les quatre coussinets isolants sont placés entre le support en métal et le boîtier moulé. Le support doit être orienté de manière à ce que l'encoche dans le support soit alignée avec la vis de mise à la terre dans le boîtier moulé. Il faut suivre attentivement cette étape pour empêcher les arcs électriques et les ruptures électriques.
7. Glisser deux vis à tête tronconique 8-32 dans les douilles de vissage et serrer les vis pour bien fixer la carte de circuit imprimé dans le boîtier moulé.
8. Fileter de nouveau le dôme dans le boîtier en le tournant dans le sens horaire afin de le serrer.

⚠ AVERTISSEMENT

RISQUE DE CHOC ÉLECTRIQUE – Afin d'éviter les dangers de chocs électriques, ne pas brancher de fil tant que l'alimentation est activée

Instructions d'installation et d'entretien

- Rebrancher la lumière.
- Tester l'appareil en branchant l'alimentation et en vérifiant le fonctionnement continu de la lampe à DEL.

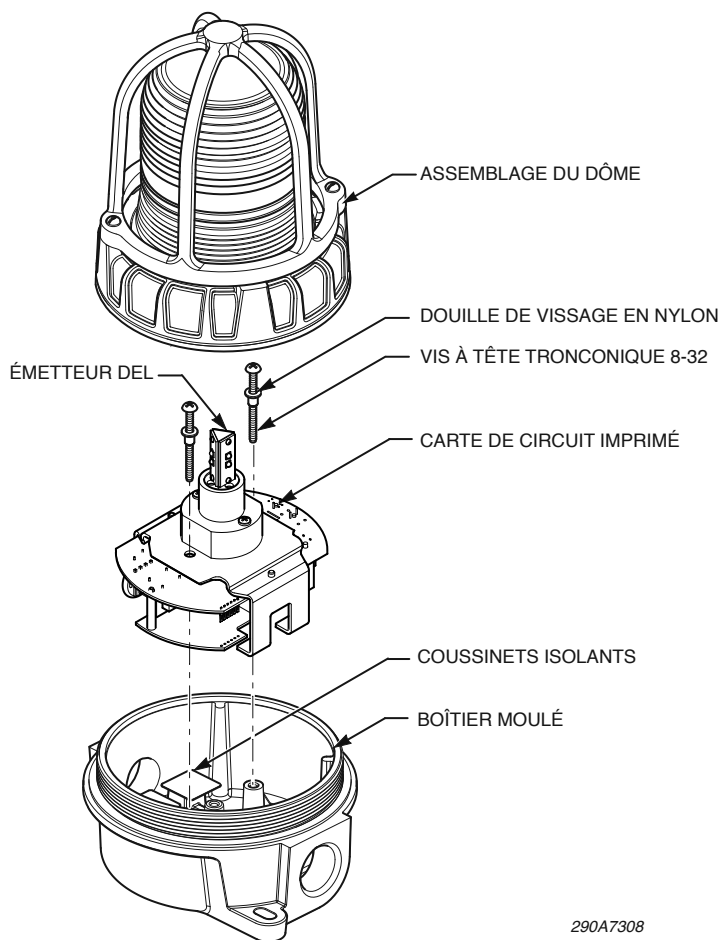
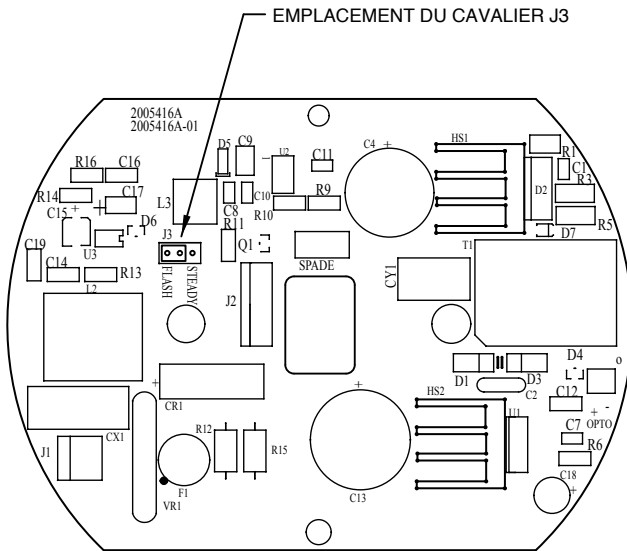


Figure 4 Emplacement du cavalier J3 sur la carte de circuit imprimé



(MODÈLE 120-240 V c.a. MONTRE)

290A7373

Nettoyage de l'appareil

⚠ AVERTISSEMENT

RISQUES D'EXPLOSION—*Ne jamais utiliser une matière ou une lime abrasive pour éliminer des substances corrosives sur les surfaces filetées. En cas de très forte corrosion, il faut inspecter régulièrement l'équipement pour le protéger d'une détérioration anormale et éviter qu'il devienne poreux, ce qui pourrait affaiblir la structure du boîtier.*

Il est parfois nécessaire de laver les appareils d'éclairage au jet d'eau pour bien les nettoyer. Dans ce cas, il faut couper le circuit d'alimentation électrique avant de procéder au nettoyage.

Pour conserver une émission lumineuse maximale, il faut nettoyer l'appareil périodiquement. Seuls les produits de nettoyage doux et non abrasifs sont autorisés. Il faut inspecter régulièrement le dôme de verre à la recherche d'éraflures et d'éclats. S'il est abîmé, il FAUT le remplacer.

Lubrification du joint fileté

Le joint fileté du couvercle doit toujours rester bien lubrifié à l'aide d'une graisse anticorrosion, comme de la gelée de pétrole ou de l'huile minérale épaissie par un savon. Si le solvant ne suffit pas à retirer la corrosion accumulée sur les joints filetés, il faut jeter les pièces et les remplacer.

Commander des pièces de rechange

⚠ AVERTISSEMENT

RISQUES D'EXPLOSION – *Il se peut qu'un appareil dont les composants ont été remplacés ne convienne plus à l'utilisation de classe I, division 2.*

Les pièces de rechange courantes sont énumérées au tableau 4. Pour des raisons de certification, les pièces de certains composants ne peuvent pas être remplacées sur place. Dans ce cas, l'appareil au complet doit être remplacé ou renvoyé à Federal Signal pour y être réparé. Pour commander des pièces de rechange, communiquer avec le Service à la clientèle de Federal Signal au 708-534-4756 ou au 877-289-3246.

Tableau 4 Pièces de rechange

Description	Numéro de pièce
Dôme, ambre	K8449078-01
Dôme, bleu	K8449078-06
Dôme, transparent	K8449078-04
Dôme, vert	K8449078-07
Dôme, rouge	K8449078
Joint statique	K8449080
Graisse, tube de 226 g (8 oz)	KR81-05-01
Protecteur de dôme	K8449090
Émetteur DEL, ambre	K14700030-A
Émetteur DEL, bleu	K14700030-B
Émetteur DEL, vert	K14700030-G
Émetteur DEL, rouge	K14700030-R
Émetteur DEL, blanc	K14700030-W

Faire appel au service de réparations et à l'assistance technique

Les produits renvoyés pour réparation doivent être accompagnés d'un formulaire d'autorisation de renvoi. Pour obtenir le service de réparations ou l'assistance technique pour ce produit, communiquer avec Federal Signal au 708-534-4756 ou au 877-289-3246. Pour des manuels d'instruction et des données relatives aux produits connexes, visiter le site : <http://www.federal-signal-indust.com>

Renvoi du produit pour obtention d'un crédit

Les produits renvoyés doivent être accompagnés d'une autorisation de renvoi accordée par le distributeur local avant le renvoi du produit chez Federal Signal. Communiquer avec le distributeur pour obtenir de l'aide.

Un produit peut être renvoyé avec obtention d'un crédit si les conditions suivantes sont remplies :

- Le produit est revendable et est renvoyé dans son emballage d'origine
- Le produit n'a pas encore été installé
- Le produit est le modèle le plus récent
- Le produit n'a jamais été réparé
- Le produit est un produit standard
- Le produit n'est pas une pièce détachée

Tous les renvois de produits font l'objet de frais de restockage.

Les produits défectueux renvoyés au cours de la période de garantie seront réparés ou remplacés à la seule discrétion de Federal Signal. Les produits dont la lampe est défectueuse ne sont pas considérés comme des produits défectueux.

Toute demande autre que celle citée ci-dessus sera examinée au cas par cas.



Industrial Products

2645 Federal Signal Drive

University Park, IL 60484-3167

Phone: 1-877-289-3246 • 1-708-534-4756 • Fax: 1-708-534-4887

www.federalsignal-indust.com • www.fs-isys.com

© 2013 Federal Signal Corporation. Tous droits réservés.



FEDERAL SIGNAL

Safety and Security Systems / Industrial

Advancing security and well-being.

Baliza LED Modelo 191XL para operación en ubicaciones peligrosas



Manual de instalación y mantenimiento

2561421G
REV. G 513
Impreso en los EE. UU.



Garantía: El vendedor garantiza todos los productos por cinco años para las piezas y por 2-1/2 años para la mano de obra, bajo las siguientes condiciones y excepciones: El Vendedor garantiza que todos los productos fabricados por el Vendedor se ajustarán a las descripciones de los mismos para especificaciones que expresamente forman parte de este contrato de venta y en el momento de la venta por parte del Vendedor tales productos estarán comercialmente libres de defectos en material o mano de obra. El Vendedor se reserva el derecho, a criterio del Vendedor, de “Reparar y devolver” o “Reemplazar” cualquier elemento considerado defectuoso durante el período de garantía. Esta garantía no cubre gastos de viaje, el costo de equipos especializados para obtener acceso al producto ni los cargos de mano de obra por la extracción y la nueva instalación del producto. Esta garantía no tendrá validez y no será de aplicación a productos que hayan sido sometidos a uso incorrecto, descuido, accidente, daño, mantenimiento incorrecto o productos alterados o reparados por otra persona que no sea el Vendedor o su representante autorizado, o si han transcurrido cinco años desde la fecha de envío del producto por parte del Vendedor, con las excepciones siguientes: las lámparas y los tubos estroboscópicos no están cubiertos por esta garantía. Las sirenas de advertencia y los controladores externos fabricados por Federal Warning Systems cuentan con garantía de dos años sobre las piezas y de un año sobre la mano de obra. Ningún agente, empleado, representante o distribuidor del Vendedor tiene autorización de obligar al Vendedor frente a ninguna declaración, afirmación o garantía relacionada con los productos y tal declaración, afirmación o garantía no se considerará parte de los elementos básicos del contrato de venta y no será exigible. LAS GARANTÍAS ANTERIORES SON EXCLUSIVAS Y REEMPLAZAN TODA OTRA GARANTÍA DE COMERCIALIZACIÓN, DE IDONEIDAD PARA UN PROPÓSITO Y DE CUALQUIER TIPO, YA SEA EXPRESA O IMPLÍCITA. Estas garantías no serán de aplicación a menos que el Vendedor reciba una oportunidad razonable de investigar todos los reclamos por mercaderías supuestamente defectuosas. Ante la indicación del Vendedor, se devolverá una sola muestra de los productos defectuosos al Vendedor para su inspección y aprobación. La base de todos los reclamos por supuestos defectos en los productos que no se descubra ante la inspección razonable de los mismos en virtud del párrafo 8 del presente debe explicarse totalmente por escrito y debe ser recibida por el Vendedor dentro de los treinta días posteriores a que el Comprador tome conocimiento del defecto o tal reclamo se considerará caducado.



Industrial Systems

2645 Federal Signal Drive • University Park, IL 60484-3167

Phone: 1-877-289-3246 • 1-708-534-4756 • Fax: 1-708-534-4887

www.federal-signal-indust.com • www.fs-isys.com

Contenido

Mensajes de seguridad para los instaladores	45
Descripción de la Serie 191XL	46
Desembalaje de la baliza	47
Montaje de la baliza en tubo (191XL)	48
Montaje de la baliza en superficie (191XL-S)	50
Cableado de la baliza	51
Cableado Modelos de 120-240 Vca et 277 Vca	52
Cableado Modelos de 24 Vca/cc	52
Mensaje de seguridad para el personal de mantenimiento	52
Cambio de modo de parpadeo al modo de encendido permanente	53
Limpieza del artefacto	57
Lubricación de la unión roscada	57
Pedido de piezas de repuesto	57
Obtención de servicio de reparación y asistencia técnica	58
Devolución del producto para obtener crédito	59

Tablas

Tabla 1 Clasificación eléctrica.....	47
Tabla 2 Clasificación ambiental de la instalación.....	48
Tabla 3 Rango de temperatura ambiente y de funcionamiento	48
Tabla 4 Piezas de repuesto.....	58

Figuras

Figura 1 Baliza montada en tubo.....49

Figura 2 Baliza montada en superficie50

Figura 3 PCB extraído de la carcasa.....55

Figure 4 Ubicación del puente J3 en el PCB.....56

Mensajes de seguridad para los instaladores

⚠ ADVERTENCIA

Es importante seguir todas las instrucciones enviadas con este producto. Este dispositivo debe ser instalado por un electricista capacitado completamente familiarizado con el Código Eléctrico Nacional y/o el Código Eléctrico de Canadá y que siga los lineamientos NEC y/o CEC y todos los códigos locales. Esta baliza debe considerarse parte del sistema de advertencia y no el sistema de advertencia completo.

La selección de la ubicación de montaje de la baliza, sus controles y la colocación del cableado deben realizarse bajo la dirección del ingeniero de la planta y del ingeniero de seguridad. Asimismo, a continuación se incluyen algunas instrucciones y precauciones importantes de seguridad que debe seguir:

- Lea y comprenda todas las instrucciones antes de instalar y poner en funcionamiento esta baliza.
- No conecte esta baliza al sistema cuando esté encendido.
- No desconectar la baliza mientras el circuito esté vivo o a menos que se conozca que el área está libre de concentraciones inflamables. Mantenga la baliza bien cerrada durante la operación.
- Después de la instalación, asegúrese de que todos los tornillos de fijación y las uniones roscadas estén debidamente ajustadas.
- No altere nunca la unidad de ninguna forma. La seguridad en sitios peligrosos puede estar en riesgo si se realizan aberturas adicionales u otras alteraciones en unidades específicamente diseñadas para usarse en estas ubicaciones.
- Para ser un dispositivo de advertencia efectivo, este producto produce una baliza brillante que puede ser peligrosa para la vista si se mira desde una distancia corta. No mire directamente hacia este producto de iluminación desde una distancia corta, ya que pueden producirse daños permanentes a la visión.

Instrucciones de instalación y mantenimiento

- Después de la instalación, pruebe la baliza para asegurarse de que funcione correctamente.
- Mantenga la unidad bien cerrada durante la operación.
- Una vez que haya finalizado la prueba, entregue una copia de este cuadernillo de instrucciones a todo el personal.
- Establezca un procedimiento para verificar periódicamente la baliza a fin de comprobar la activación y el funcionamiento apropiados.

Si todas estas precauciones de seguridad e instrucciones no se observan, pueden ocasionarse daños a los bienes, lesiones graves o incluso la muerte.

Descripción de la Serie 191XL

Este equipo es adecuado para usar solamente en ubicaciones de Clase I, División 2, Grupos A, B, C y D; Clase II, División 1, Grupos E, F y G; Clase III O ubicaciones no peligrosas.

Esta luz estroboscópica puede montarse en un soporte Modelo LHWB de Federal Signal. Si se instala de esta forma, todo el dispositivo ensamblado es adecuado solo para ubicaciones de Clase I, Div. 2, Grupos A, B, C y D; Clase II, Div. 2, Grupos F y G; Clase III.

La baliza LED Modelo 191XL es una señal visual homologada por UL para operación en entornos difíciles y ubicaciones peligrosas; ha sido investigada por UL y cumple con los requisitos de unidad de Tipo 4X e IP66. La unidad cuenta con una clasificación de operación de 100 Vca a 265 Vca, 50/60 Hz; 0,21 A, 277 Vca, 50/60 Hz; 0,13 A o 24 Vcc/ca 50/60 Hz, 0,40 A. El 191XL puede incluir los colores rojo, ámbar, verde, azul y transparente. El 191XL está configurado de fábrica para funcionar a 60 parpadeos/minuto. Existe la opción de operar la baliza LED en el modo de encendido permanente. (Ver “Cambio del modo de parpadeo al modo de encendido permanente” en la página 53). Los modelos están disponibles para montaje en tubo (191XL) o montaje en superficie (191XL-S).

Estos dispositivos están destinados para su instalación permanente y operación de acuerdo con el Título 46, Código de Reglamentaciones Federales, Partes 110–113, o el Título 33, Código de Reglamentaciones Federales, Parte 183, Subparte I, Sección 183.410, y los requisitos correspondientes de American Boat and Yacht Council, Inc., y/o ANSI/NFPA 302, “Norma de Protección contra Incendios para Vehículos de Placer y Comerciales”.

Desembalaje de la baliza

▲ ADVERTENCIA

RIESGO DE EXPLOSIONES: *Las cúpulas dañadas pueden ocasionar explosiones que podrían resultar en lesiones serias o la muerte.*

Después de desembalar la baliza, examínela para detectar daños que puedan haber ocurrido durante el tránsito. Si la baliza se ha dañado, no intente instalarla ni ponerla en funcionamiento. Presente un reclamo de inmediato al transportista, indicando la medida de los daños. Con cuidado, inspeccione todos los sobres, las etiquetas de envío y los rótulos antes de retirarlos o descartarlos. El desecho de todos los materiales de envío debe realizarse de acuerdo con los códigos y normas nacionales y locales. Si falta alguna pieza, contacte al Servicio de Asistencia al Cliente de Federal Signal al 708-534-4756 o 877-289-3246.

Tabla 1 Clasificación eléctrica

Voltaje de funcionamiento:	24 Vcc/ca	100–265, 277 Vca	277 Vca
Parpadeos/minuto:	60 FPM	60 FPM	60 FPM
Corriente máxima de funcionamiento:	380 mA	210 mA	130 mA
Frecuencia:	CC/50/60	50/60	50/60
Corriente CC de entrada:	1,75 A a 24 Vcc por 5 ms		
Corriente CA de entrada:	2,0 A a 85 Vca y 1,5 A a 265 y 277 Vca por 0,25 ms		

Instrucciones de instalación y mantenimiento

Tabla 2 Clasificación ambiental de la instalación

Clasificación de almacenamiento a temperatura ambiente: -55 °C a + 70 °C
Clasificación de funcionamiento a temperatura ambiente: -50 °C a + 66 °C
Tipo 4X (impermeable y resistente a la corrosión) y uso en interiores/ exteriores
IP66 (a prueba de polvo y con protección contra mares agitados) y tipo externo (agua salada)

Tabla 3 Rango de temperatura ambiente y de funcionamiento

	Código de temperatura o temperatura máxima, °C								
	40 °C Ambiente			55 °C Ambiente			66 °C Ambiente		
Hazardous Locations	24 V	100–265 Vca	277 Vca	24 V	100–265 Vca	277 Vca	24 V	100–265 Vca	277 Vca
Clase I, Div. 2, Grupos A, B, C y D	T6	T6	T5	T5	T5	T5	T4A	T4A	T5
Clase II, División 1, Grupos E, F y G	T6	T6	T6	T6	T6	T6	T6	T6	T6
Clase III	T6	T6	T6	T6	T6	T6	T6	T6	T6

Montaje de la baliza en tubo (191XL)

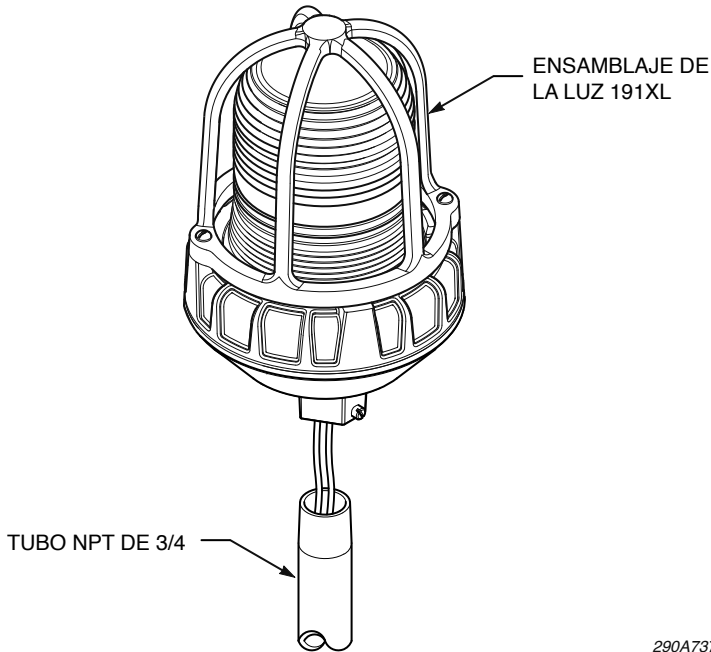
⚠ ADVERTENCIA

RIESGO DE EXPLOSIONES: *Para reducir el riesgo de incendio o explosión, no instale la baliza en una ubicación peligrosa si la temperatura de funcionamiento excede la temperatura de ignición de atmósferas peligrosas. Antes de continuar, consulte la placa de identificación del producto y determine la temperatura de funcionamiento de la baliza.*

NOTA: Para cumplir con la Sección 300-14 del NEC que requiere un mínimo de 15,25 cm (6 pulgadas) de conductor libre en las conexiones, al montar el Modelo 191XL, el tubo de montaje usado para unir la unidad a una caja de empalme no debe tener más de 25,4 cm (10 pulgadas).

El Modelo 191XL puede montarse en un tubo de 3/4" y puede montarse en cualquier posición.

Figura 1 Baliza montada en tubo



290A7375

1. Antes de montar la baliza, asegúrese de que las roscas de acople estén limpias.
2. Para prevenir el ingreso de agua y de polvo, aplique sellador conductivo en las roscas de los conductos antes de montar. Si se usa sellador no conductivo, el gabinete debe conectarse a tierra a través del cable interno de tierra/tornillo de puesta a tierra para asegurar una continuidad correcta de la conexión a tierra.
3. En ambientes de alta humedad, cuando las unidades se montan con la cúpula hacia abajo, puede producirse condensación en el sistema de conductos. Use sellos/drenajes de conductos de la clasificación correcta para impedir que la humedad ingrese en el artefacto.

Instrucciones de instalación y mantenimiento

IMPORTANTE: Para impedir que la conexión se afloje, ajuste el artefacto a una torsión MÍNIMA de 5 ft-lb (6,8 N·m) después de enroscarlo en el tubo.

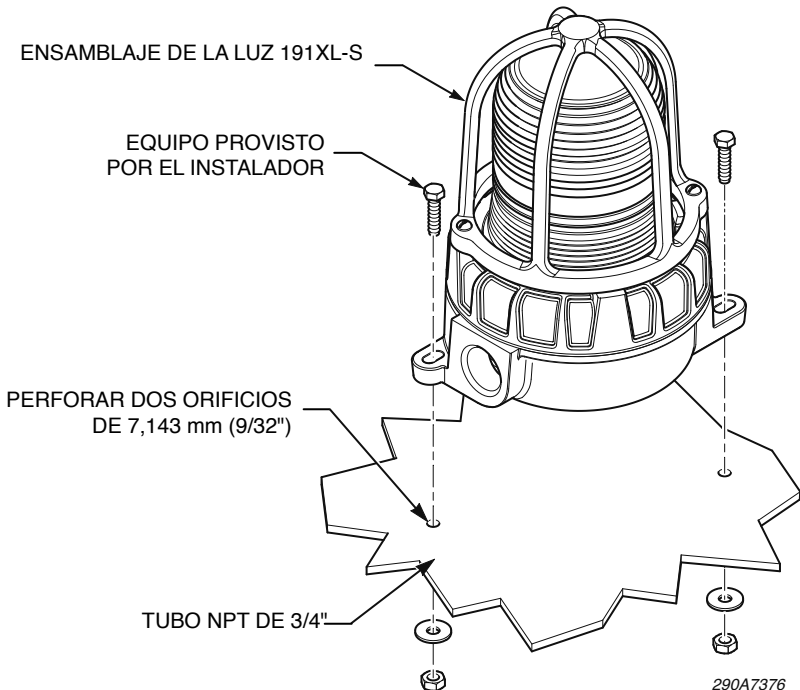
4. Enrosque el artefacto en el tubo de 3/4" y sujételo con el tornillo de fijación.

Montaje de la baliza en superficie (191XL-S)

Para montar la baliza en superficie:

1. Use la base de montaje como plantilla para marcar la ubicación de los dos orificios de montaje.
2. Perfore un orificio de 7,143 mm (9/32 pulgadas) en cada marca.
3. Sujete la baliza a la superficie de montaje con el equipo provisto por el instalador.

Figura 2 Baliza montada en superficie



Cableado de la baliza

⚠ ADVERTENCIA

RIESGO DE DESCARGA ELÉCTRICA: Para evitar riesgos de descarga eléctrica, no conecte los cables mientras se recibe corriente.

⚠ ADVERTENCIA

RIESGO DE EXPLOSIONES: No desconectar la baliza mientras el circuito esté vivo o a menos que se conozca que el área está libre de concentraciones inflamables. Mantenga la baliza bien cerrada durante la operación.

El cableado debe cumplir con el Código Eléctrico Nacional o el Código Eléctrico Canadiense y la autoridad local con jurisdicción.

La baliza LED Modelo 191XL debe instalarse según el código NEC o CEC, y los CÓDIGOS ESTATALES y LOCALES. La elección de sitios y/u orientaciones de instalación alternativa solo debe realizarse con la aprobación de la autoridad con jurisdicción. Asimismo, la unidad puede montarse usando un montaje opcional en cielo raso o un montaje opcional en muro.

⚠ ADVERTENCIA

RIESGO DE DESCARGA ELÉCTRICA: Para evitar riesgos de descarga eléctrica, no conecte los cables mientras se recibe corriente.

NOTA: Los Modelos 191XL de 24 V están diseñados para operar con voltaje de corriente CA y CC. El modelo de 120-240 Vca debe operar de 100 Vca a 265 Vca a 50/60 Hz. Vea la Tabla 1 en la página 47 para conocer la clasificación eléctrica.

AVISO

POLARIDAD INVERSA/CABLEADO INCORRECTO: El 191XL no es sensible a la polaridad, pero PUEDE DAÑARSE por una conexión eléctrica incorrecta. Se producirán daños si se excede la clasificación de voltaje del modelo en particular.

NOTA: Las terminaciones en campo dentro de la unidad de montaje en superficie requerirán retirar la unidad del circuito impreso (PCB, por sus siglas en inglés) de la carcasa. Vea la Figura 3 en la página 55 y siga los pasos 1–4 y 6–8 de “Cambio de modo de parpadeo a modo de encendido permanente” en la página 53 para conocer el proceso de extracción e instalación del PCB.

La unidad de montaje en superficie no es adecuada para usar con conductores de circuito derivado pasante.

Cableado Modelos de 120-240 Vca et 277 Vca

Los modelos de 120-240 Vca y 277 Vca cuentan con tres cables de 24 pulgadas: blanco, negro y verde/amarillo. Conecte el cable negro al lado de la fase (caliente) de la fuente de alimentación y el cable blanco al lado común (neutro) de la fuente de alimentación. De ser necesario, el cable verde/amarillo en la carcasa se incluye para la conexión a tierra.

Cableado Modelos de 24 Vca/cc

Los modelos de 24 Vca/cc cuentan con dos cables de 24", uno rojo y uno negro. Conecte el cable rojo (+) al lado positivo o de la fase (caliente) de la fuente de alimentación y el cable negro (–) al lado negativo o común (neutro) de la fuente de alimentación.

Mensaje de seguridad para el personal de mantenimiento

▲ ADVERTENCIA

A continuación se incluyen algunas instrucciones y precauciones importantes de seguridad que debe seguir:

- Lea y comprenda todas las instrucciones antes de poner en funcionamiento este sistema.
- Cualquier mantenimiento del sistema de luces debe realizarse con la unidad apagada.

- Todo mantenimiento del sistema de luces debe ser realizado por un electricista capacitado que conozca en detalle todos los códigos nacionales y locales de aplicación en el país de uso.
- No conecte esta baliza al sistema cuando esté encendido.
- No desconectar la baliza mientras el circuito esté vivo o a menos que se conozca que el área está libre de concentraciones inflamables. Mantenga la baliza bien cerrada durante la operación.
- No altere nunca la unidad de ninguna forma. La seguridad de la unidad puede verse afectada si se realizan aberturas adicionales u otras alteraciones a los componentes internos o a la carcasa.
- La placa de identificación NO debe quedar oculta, ya que contiene información de precaución u otra información de importancia para el personal de mantenimiento. Asegúrese de que la placa de identificación se pueda leer si se pinta la carcasa exterior.
- Si la cúpula se daña de alguna manera, DEBE reemplazarse.
- Después de realizar trabajos de mantenimiento, pruebe el sistema de la luz para asegurarse de que funcione correctamente.

Si todas estas precauciones de seguridad e instrucciones no se observan, pueden ocasionarse daños a los bienes, lesiones graves o incluso la muerte a usted o a los demás.

Cambio de modo de parpadeo al modo de encendido permanente

⚠ ADVERTENCIA

RIESGO DE EXPLOSIONES: Para prevenir la ignición de atmósferas peligrosas, desconecte el artefacto del circuito de alimentación antes de abrirlo.

⚠️ ADVERTENCIA

RIESGO DE EXPLOSIONES: *No desconectar la baliza mientras el circuito esté vivo o a menos que se conozca que el área está libre de concentraciones inflamables. Mantenga la baliza bien cerrada durante la operación.*

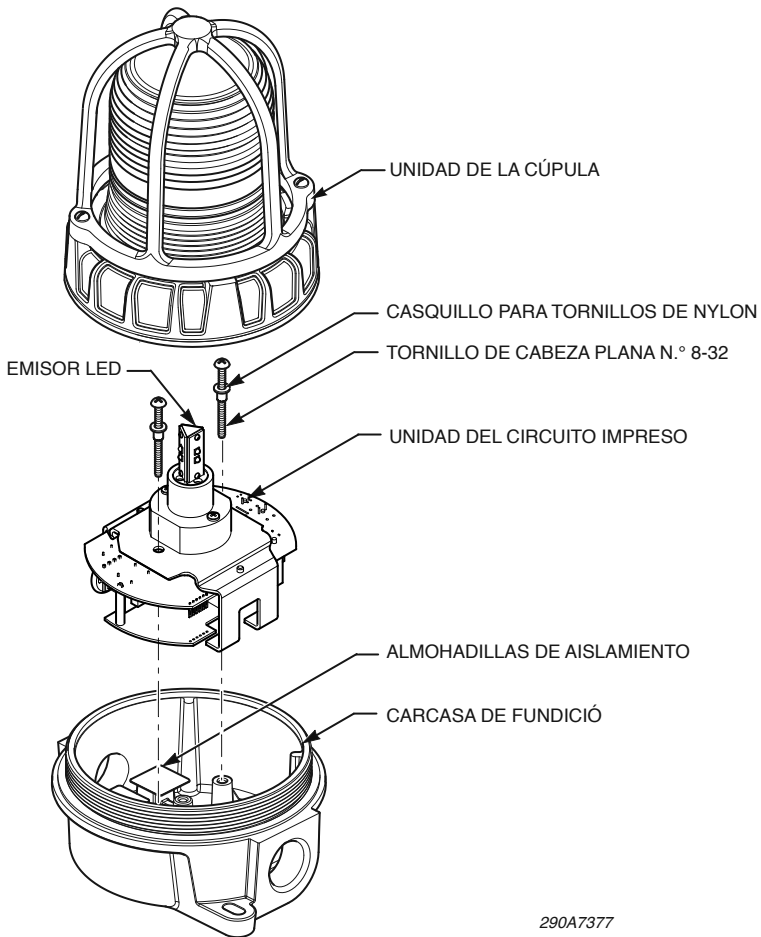
⚠️ ADVERTENCIA

RIESGO DE EXPLOSIONES: *Para mantener la unidad impermeable al vapor, no dañe la cúpula ni las roscas mientras desensambla o vuelve a ensamblar la unidad. Las uniones roscadas lubricadas expuestas por períodos prolongados de tiempo pueden atraer pequeñas partículas de polvo u otros materiales extraños. La carcasa y las uniones de la cubierta deben volver a ensamblarse de inmediato, con todas las roscas totalmente acopladas.*

Para cambiar del modo de encendido permanente predeterminado al modo de parpadeo.

1. Desconecte la corriente eléctrica de la baliza.
2. Vea la Figura 3 en la página 56. Retire la unidad de la cúpula roscada girándola en sentido antihorario.
3. Con un destornillador Phillips N.º 2, retire los dos tornillos de cabeza plana N.º 8-32 que sujetan la unidad del circuito impreso a la carcasa de fundición. Asegúrese de sujetar los dos casquillos para tornillos de nylon que aíslan el soporte de los tornillos.
4. Levante suavemente la unidad del circuito impreso (PCB) de la carcasa y gire la unidad para acceder al lado de los componentes del circuito impreso.
5. Vea la Figura 4 en la página 56. Ubique el puente J3 y levante el puente para quitarlo de la configuración “Flash” [Parpadeo]. Vuelva a colocar el puente sobre las clavijas denominadas “Steady” [Encendido permanente].

Figura 3 PCB extraído de la carcasa



6. Coloque la unidad del circuito impreso nuevamente en la carcasa, asegurándose de que las cuatro almohadillas de aislamiento se asienten entre el soporte de metal y la carcasa de fundición. El soporte debe orientarse de tal forma que la muesca en el soporte se alinee con el tornillo de puesta a tierra en la carcasa de fundición. Este paso debe seguirse atentamente para impedir la formación de arco eléctrico y la falla dieléctrica.

Limpieza del artefacto

⚠️ ADVERTENCIA

RIESGO DE EXPLOSIONES: Nunca use un material abrasivo ni una lima para retirar materiales corrosivos de las superficies roscadas. En ubicaciones extremadamente corrosivas, deben inspeccionarse periódicamente los equipos para protegerlos contra el deterioro inusual y la posible porosidad, ya que esto puede debilitar el gabinete estructuralmente.

Los procedimientos de mantenimiento en ocasiones requieren que los artefactos se limpien con una manguera para un buen mantenimiento. El circuito debe apagarse antes de desconectar los cables del artefacto.

El artefacto debe limpiarse periódicamente para mantener una salida máxima de luz. Solo deben usarse agentes de limpieza neutros, no abrasivos. La cúpula de vidrio debe inspeccionarse periódicamente para detectar rayones y muescas y, si está dañada, DEBE reemplazarse

Lubricación de la unión roscada

La unión roscada en la cubierta debe mantenerse bien lubricada con grasa que inhiba la corrosión, tal como aceite mineral de petrolato o espesado con jabón. Si se acumularon materiales corrosivos en las uniones roscadas y no se pueden retirar con solventes, las piezas deben desecharse y reemplazarse.

Pedido de piezas de repuesto

⚠️ ADVERTENCIA

RIESGO DE EXPLOSIONES: El reemplazo de componentes puede perjudicar la idoneidad para Clase I, División2.

Las piezas de repuesto típicas se enumeran en la Tabla 4, en la página 58. Debido a la certificación, ciertas piezas de componentes no están disponibles para su reemplazo en el campo. Las unidades con este tipo de daño debe ser reemplazadas totalmente o devueltas a Federal Signal para su servicio. Para pedir piezas de repuesto, contacte al Servicio de Asistencia al Cliente de Federal Signal al 708-534-4756 o al 877-289-3246.

Obtención de servicio de reparación y asistencia técnica

⚠️ ADVERTENCIA

RIESGO DE EXPLOSIONES: El reemplazo de componentes puede perjudicar la idoneidad para Clase I, División 2.

Los productos devueltos para reparación requieren un formulario de Autorización de devolución. Para obtener un servicio de reparación o asistencia técnica para el producto, llame a Federal Signal al 708-534-4756 o al 877-289-3246.

Para obtener manuales de instrucciones e información sobre productos relacionados, visite: <http://www.federal-signal-indust.com>.

Tabla 4 Piezas de repuesto

Descripción	Número de pieza
Unidad de la cúpula, ámbar	K8449078-01
Unidad de la cúpula, azul	K8449078-06
Unidad de la cúpula, transparente	K8449078-04
Unidad de la cúpula, verde	K8449078-07
Unidad de la cúpula, rojo	K8449078
Junta	K8449080
Grasa, tubo de 8 oz (227 g)	KR81-05-01
Protección de la cúpula	K8449090
Emisor LED, ámbar	K14700030-A
Emisor LED, azul	K14700030-B
Emisor LED, verde	K14700030-G
Emisor LED, rojo	K14700030-R
Emisor LED, blanco	K14700030-W

Devolución del producto para obtener crédito

Las devoluciones de productos para obtener crédito requieren una autorización de devolución de su distribuidor local antes de devolver el producto a Federal Signal. Contacte a su distribuidor para obtener asistencia.

Un producto está calificado para su devolución a fin de obtener crédito cuando se cumplen las condiciones siguientes:

- El producto puede volver a venderse y se encuentra en su envase original
- El producto no ha sido instalado previamente
- El producto es la revisión actual
- El producto no ha sido reparado previamente
- El producto es un producto estándar
- El producto no es una pieza de servicio

Todas las devoluciones están sujetas a un arancel de reposición de inventario.

Los productos defectuosos devueltos dentro del período de garantía serán reparados o reemplazados a exclusivo criterio de Federal Signal. Los productos defectuosos no incluyen los productos con fallas de la lámpara.

Otras circunstancias no incluidas anteriormente se tratarán según cada caso en particular.



Industrial Products

2645 Federal Signal Drive

University Park, IL 60484-3167

Phone: 1-877-289-3246 • 1-708-534-4756 • Fax: 1-708-534-4887

www.federal-signal-indust.com • www.fs-isys.com



MICROWATT

Making Safety Work

Tollfree in Western Canada: 1-888-388-1592
microwatt.com • mwsales@microwatt.com