



LED

Hazardous Location UniStat™ Status Indicator

Model USIX

MULTICOLOR LED STATUS INDICATOR FOR HAZARDOUS AREAS

- Available in 24DC and 120VAC
- Tri or quad-color models
- 100,000 hour, vibration-resistant LED light source
- Surface mount
- PLC compatible
- Type 4X, IP66 enclosure
- UL and cUL Listed

The UniStat™ is a LED (light emitting diode) based, multi-color, single-high status indicator.

Using the latest LED technology, this unique status indicator can produce three colors (Amber, Green and Red) or four colors (Amber, Blue, Green and Red) from a single light source.

The UniStat offers a choice of four integrated flash patterns – steady burn, slow flash, strobe flash and SimuStrobe™. SimuStrobe simulates the attention-getting flash rate of a strobe light but with a much more color-rich output. The user can choose a total of 12 possible flash/color combinations in the tri-color models and 16 in the quad-color models.

The USIX is protected in a durable polycarbonate housing utilizing 4^{3/4}-inch knockout conduit openings in the surface mount base. The outer glass globe is protected by a polycarbonate dome guard (included). Each model arrives pre-assembled and ready to surface mount.

The USIX has been designed for use in Class I, Division 2, Groups A, B, C, D; Class II, Division 2, Groups F and G; and Class III. The USIX is suitable for use in Type 4X applications.

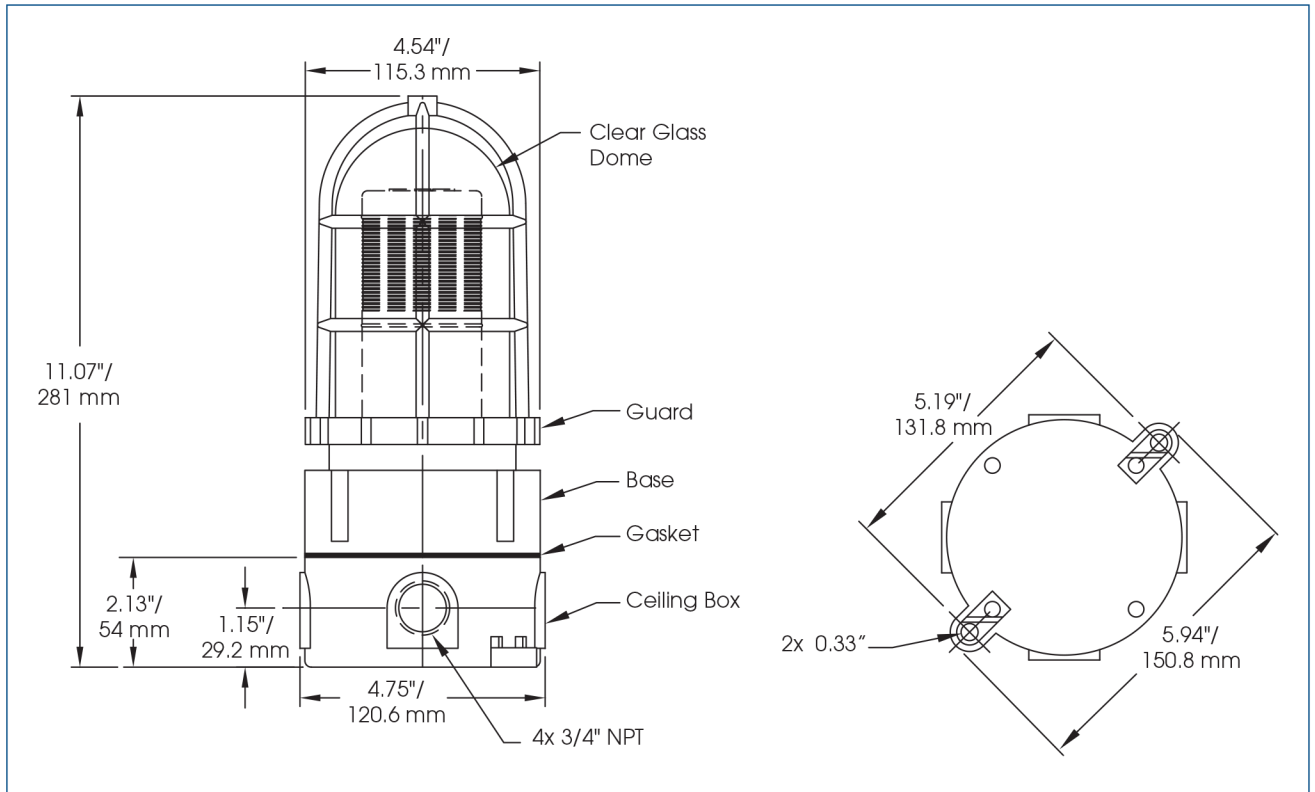
Model	Description	Voltage	Operating Current	Mount
USIX-024TC	Tri-color	24DC	0.087 amps	Surface
USIX-120TC	Tri-color	120VAC	0.058 amps	Surface
USIX-024QC	Quad-color	24DC	0.087 amps	Surface
USIX-120QC	Quad-color	120VAC	0.058 amps	Surface

Hazardous Location Rating:

Hazardous Location	T-Code at Maximum Ambient Temperature, °C	
	40°C	66°C
Class I, Div 2, Groups A, B, C, D	T6/85°	T5/100°
Class II, Div 2, Groups F, G	T6/85°	T6/85°
Class III	T6/85°	T6/85°



HAZARDOUS LOCATION UNISTAT™ (USIX)



SPECIFICATIONS

Lamp Life:	100,000 Hours	100,000 Hours
Light Source:	LED Array	LED Array
Operating Temperature:	-40°F to 150°F	-40°C to 66°C
Net Weight:	2.49 lbs.	1.13 kg
Shipping Weight:	2.53 lbs.	1.15 kg
Height:	11.07"	281 mm
Diameter:	4.75"	115.3 mm

HOW TO ORDER

- Specify model number, voltage and tri-color or quad-color

REPLACEMENT PARTS

Description	Part Number
MicroStat–UniStat Hardware Kit ¹	K844700351A
LED Array, Tri-color	K2005328A
LED Array, Quad-color	K2005328A-01

¹ Includes 1 lens of each color, cap, o-ring, and MicroStat light barrier



MICROWATT
Making Safety Work

Tollfree in Western Canada: 1-888-388-1592
microwatt.com • mwsales@microwatt.com