



Commander® Rotating Warning Lights

Model 371

HEAVY DUTY WARNING LIGHTS

- Available in 120VAC
- 371 is available in three dome colors
- Pivoting lamp yoke
- Surface mount and integrated 1-inch NPT pipe mount
- Type 4X, IP66 enclosure
- UL and cUL Listed and CSA Certified

Federal Signal Model 371 incandescent warning lights have a powerful sealed beam lamp that rotates 360° within a glass or polycarbonate dome. Power is delivered to the Commander's rotating lamp by a unique collector ring. The lamp itself is mounted in a pivoting yoke. This allows the lamp beam angle to be adjusted through 90 degrees from horizontal to vertical. Changing the beam angle allows the user to create unique light patterns and/or direct the light for better visibility.

The Model 371 features a 200 watt sealed beam lamp and a high-temperature resistant glass dome. The glass dome of the 371 is ideal for applications such as steel mills or arc furnaces/smelters where high ambient temperatures or red hot materials would melt or damage the polycarbonate dome.

The 371 is available in Amber, Blue and Red. The dome ring assemble simply screws on, providing easy access to the interior of the light.

The new 371 base features electrostatically applied (e-coated) black epoxy paint for greater corrosion resistance. Wiring can be routed through the pipe-mount opening in the bottom of the light or the two side knockouts can be used for side entry wiring. Installation can be surface – or 1-inch NPT pipe mount. Optional wall and corner mount brackets are available.

The 371 is Type 4X, IP66 rated, UL and cUL Listed, and CSA Certified.

Model	Voltage	Operating Current	Flash Rate/Minute	Candela	Mount
371-120*	120VAC 50/60Hz	1.75 amps	60	36,000	1" NPT Pipe/Surface

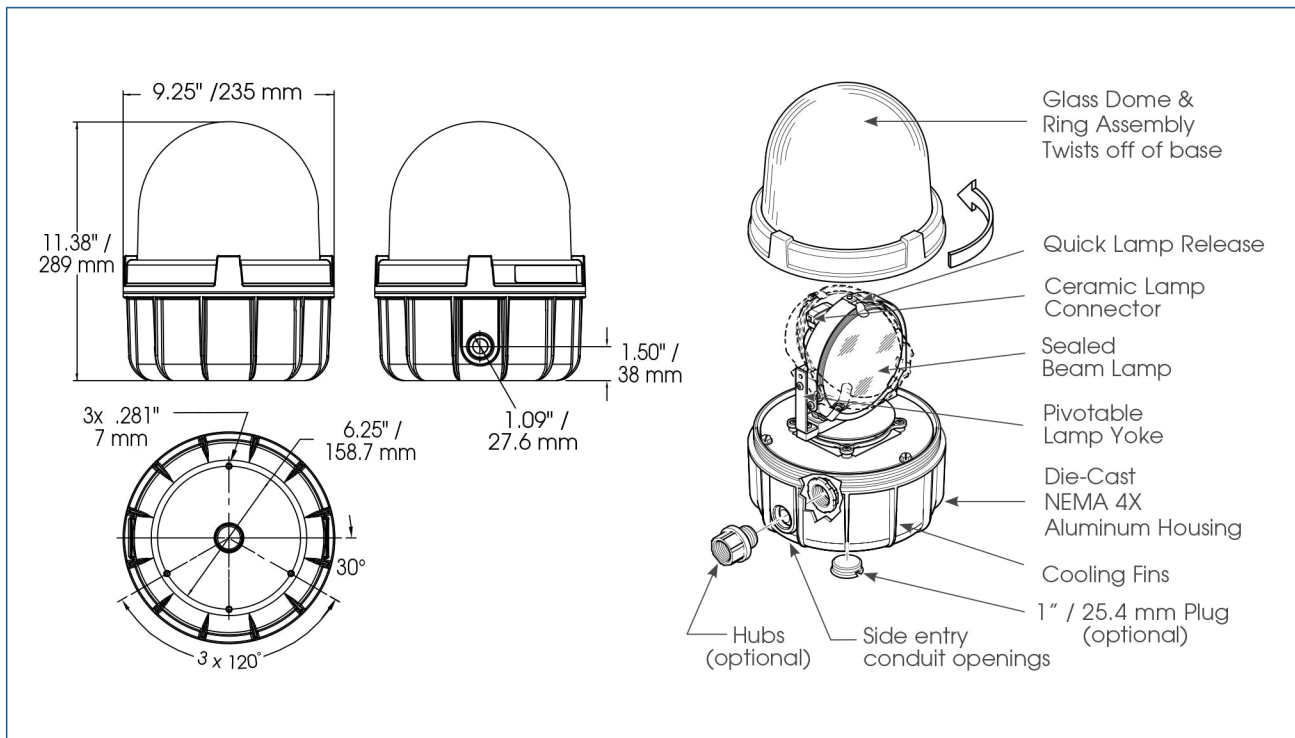
* Indicates color: (A) Amber, (B) Blue or (R) Red





Tollfree in Western Canada: 1-888-388-1592
 microwatt.com • mwsales@microwatt.com

COMMANDER® ROTATING LIGHTS (371)



SPECIFICATIONS

Lamp Life:	2,000 Hours	2,000 Hours
Light Source:	200 watt Sealed Beam	200 watt Sealed Beam
Operating Temperature:	-31°F to 150°F	-35°C to 66°C
Net Weight:	13.25 lbs.	6.0 kg
Shipping Weight:	14.25 lbs.	6.5 kg
Height:	11.38"	288.9 mm
Diameter:	9.12"	231.8 mm

HOW TO ORDER

- Specify model and color
- Optional Accessories:
 Corner Bracket (LCMB2)*
 Wall Bracket (LWMB2)*
 Solid Surface Mounting Bracket (371BRCKT)*
 Shock Mount Kit (K8459A076C)
 3/4" Hub Kit (K8459138A)
 1" Plug Kit (K8459130A)

* Rated for NEMA 3R installations.

REPLACEMENT PARTS

<u>Description (Current Series)</u>	<u>Part Number</u>	<u>Description</u>	<u>Part Number</u>
Series B Dome and Ring Assembly		Amber Polycarbonate	K8459125A
Amber Glass	K8459126A	Blue Polycarbonate	K8459125A-01
Blue Glass	K8459126A-01	Red Polycarbonate	K8459125A-04
Red Glass	K8459126A-02	Gasket, Dome Ring	K8459123A
Lamp, 200W	K8442A039	Gasket, Surface Mount	K8459127A
Motor and Gear Assembly	K8459A113B	Lamp, 100W	K8107A130
Brush and Spring	K8442A028	Worm Gear Assembly	K8459A017