

Commander® Strobe Warning Light

Model 371ST



HEAVY DUTY STROBE LIGHT

- Available in 250VDC
- Three dome colors
- Surface mount and integrated 1-inch NPT pipe mount
- Type 4X, IP66 enclosure

Federal Signal Model 371ST is a single-flash strobe housed in a Type 4X enclosure. At 60 flashes per minute and 275 effective candela, the Commander® is the largest strobe signal in the Federal Signal product line.

The 371ST features a heat resistant glass dome available in three colors: Amber, Blue and Red. The dome and ring assembly simply screws on, allowing for easy access to the strobe tube and printed circuit board assembly.

The new base of the Commander features electrostatically applied black epoxy paint for greater corrosion resistance. Wiring can be routed through the pipe mount opening in the bottom of the light or the side knockouts can be used for side entry wiring. Installation can be surface or 1-inch NPT pipe mount. Optional wall and corner mount brackets are available for the 371ST. The Commander is rated Type 4X, IP66 (water-tight, dust-tight, corrosion-resistant).

The LWMB2 wall mount bracket, LCMB2 corner mount bracket, or the LHWB hazardous wall mount bracket can be used to mount this strobe light.

Model	Voltage	Operating Current	Flash Rate/Minute	Candela Peak ¹	ECP ²	Mount
371ST-250*	250VDC	0.25 amps	60	625,000	275	1" NPT Pipe or Surface

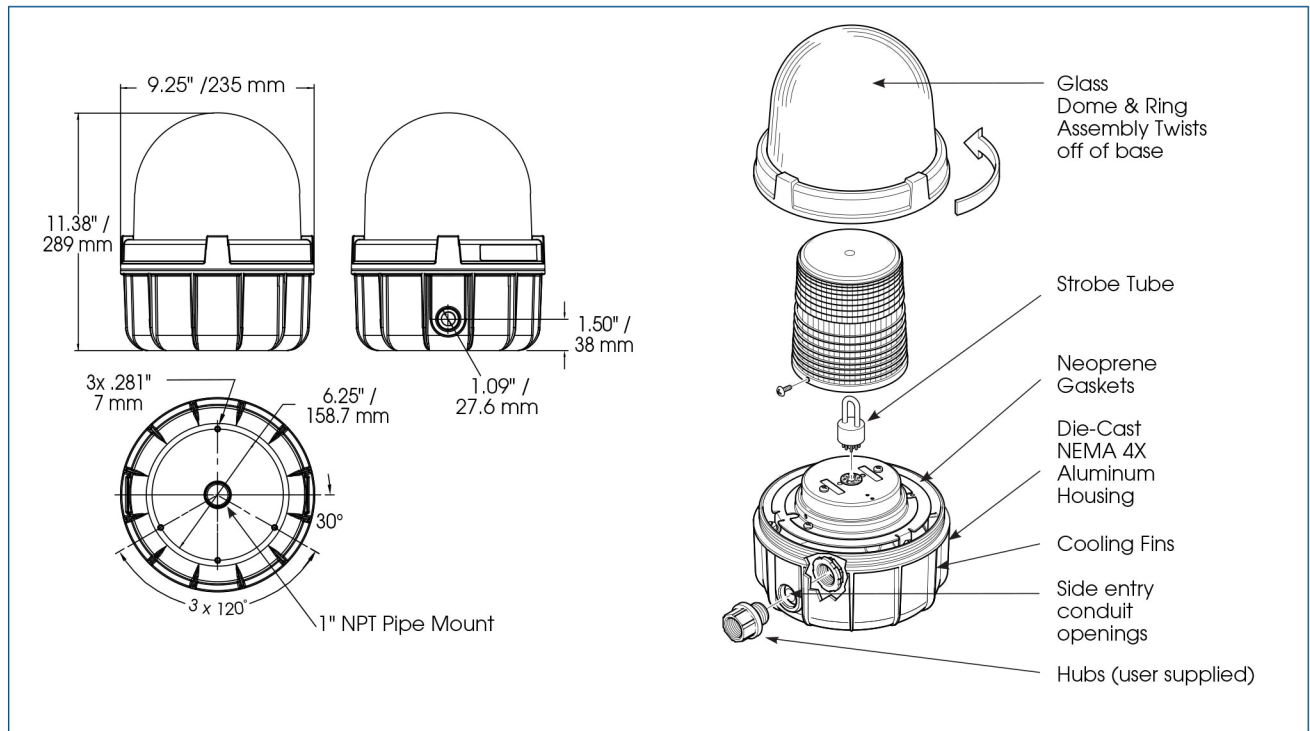


* Indicates color: (A) Amber, (B) Blue or (R) Red

¹ Peak candela is the maximum light intensity generated by a flashing light during its light pulse

² ECP (Effective Candela) is the intensity that would appear to an observer if the light were burning steadily

COMMANDER® STROBE LIGHT (371ST)



SPECIFICATIONS

Lamp Life:	10,000 Hours	10,000 Hours
Light Source:	Strobe tube	Strobe tube
Operating Temperature:	-31°F to 150°F	-35°C to 66°C
Net Weight:	10.0 lbs.	4.54 kg
Shipping Weight:	12.4 lbs.	5.62 kg
Height:	11.38"	288.9 mm
Diameter:	9.13"	231.8 mm

HOW TO ORDER

- Specify model and color
- Optional Accessories:
 - Corner Bracket (LCMB2)*
 - Solid Surface Mounting Bracket (371BRCKT)
 - Shock Mount Kit (K8459A076C)
 - Wall Bracket (LWMB2)*
 - Hazardous Location Mounting Bracket (LHWB)
 - 3/4" Hub Kit (K8459138A)
 - 1" Plug Kit (K8459130A)

* Type 3R applications.



Tollfree in Western Canada: 1-888-388-1592
microwatt.com • mwsales@microwatt.com

REPLACEMENT PARTS

<u>Description</u>	<u>Part Number</u>	<u>Description</u>	<u>Part Number</u>
<u>Series B Dome and Ring Assembly</u>		Clear, Inner Polycarbonate Dome	K8422B428A
Amber Glass	K8459126A	PC Assembly 250VDC	K2001070B
Blue Glass	K8459126A-01	Strobe Tube	K149122B
Red Glass	K8459126A-02	Gasket, Surface Mount	K8459127A