

Electrarray® Rotating Warning Light

Model 225



ECONOMICAL LIGHT DUTY WARNING LIGHT

- Available in 120VAC
- Five dome colors
- 25 watt incandescent lamp
- Integrated 1/2-inch NPT pipe mount
- Indoor/outdoor use
- Type 4X, IP66 enclosure
- UL and cUL Listed

The Federal Signal Electrarray® Model 225 is a compact, economical rotating warning light designed for industrial uses. This innovative dome design features a single retaining screw that allows quick and easy access for inspection and lamp replacement.

The Federal Signal Electrarray has a closed cell neoprene gasket that makes it water resistant. The injection molded reflector rotates around an incandescent lamp and produces 90 flashes per minute. It is available in five dome colors (Amber, Blue, Clear, Green and Red) and is UL Listed for Type 4X. Constructed to IP66 specifications, the Electrarray 225 is ready to mount on a 1/2-inch NPT pipe. Optional mounting brackets are available, simplifying installation on walls and in corners.

The Electrarray 225 is one of the most economical rotating signaling lights in the Federal Signal product line. Its design makes it easily adaptable for a multitude of indoor and outdoor applications. It is designed for permanent mounting where a 120VAC, 50/60Hz line is available. This light provides an effective, economical means of supplementing audible signaling devices.

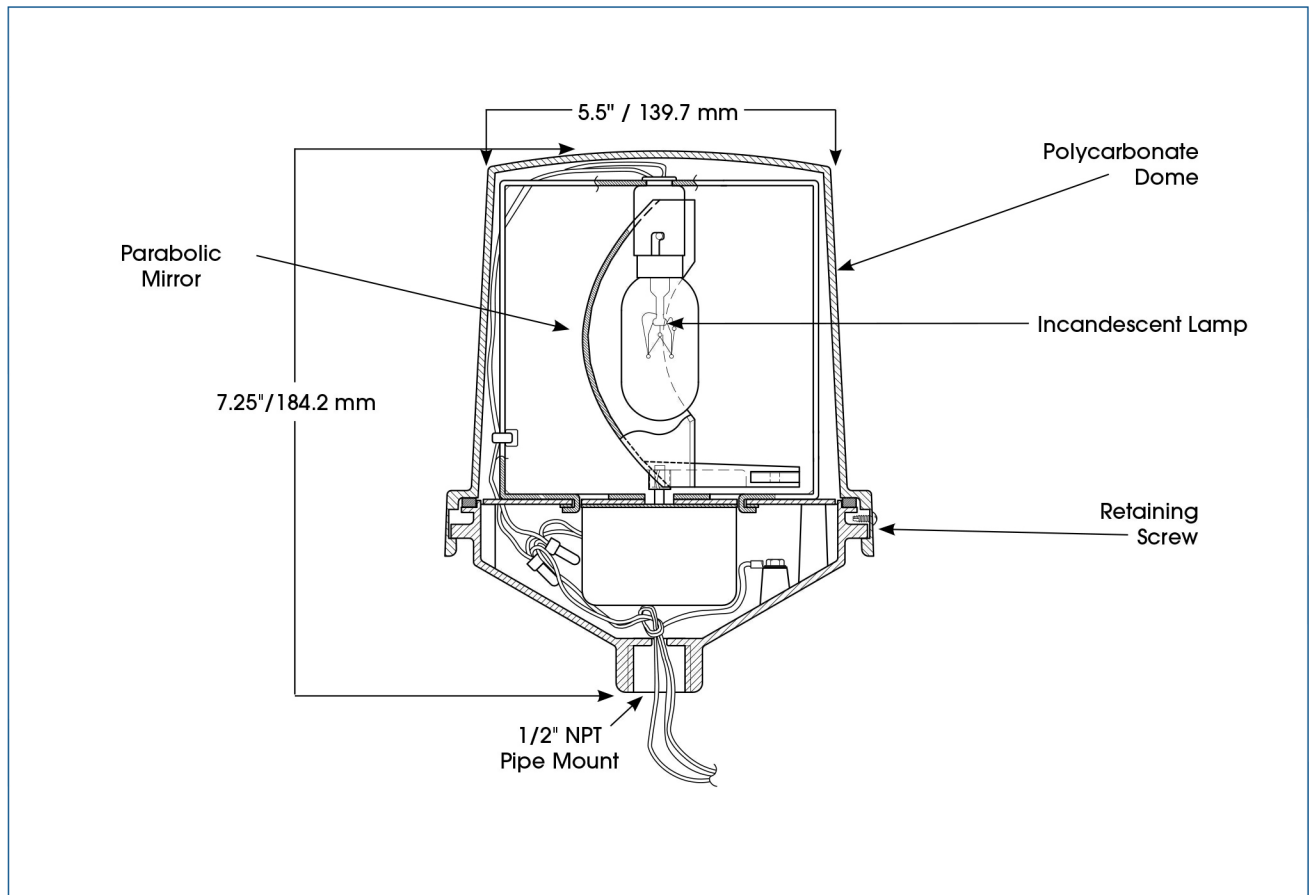
Federal Signal's Electrarray rotating light is an inexpensive warning light for calling attention to emergency situations or process status changes.

Model	Voltage	Operating Current	Flash Rate/ Minute	Candela	Mount
225-120*	120VAC 50/60HZ	0.22 amps	90	1,000	1/2" NPT Pipe

* Indicates color: (A) Amber, (B) Blue, (C) Clear, (G) Green or (R) Red



ELECTRARAY® (225)



SPECIFICATIONS

Lamp Life:	1,000	1,000
Light Source:	Incandescent	Incandescent
Operating Temperature:	-31°F to 150°F	-35°C to 66°C
Net Weight:	2.0 lbs.	0.9 kg
Shipping Weight:	2.7 lbs.	1.2 kg
Height:	7.25"	184.0 mm
Diameter:	5.5"	140.0 mm

HOW TO ORDER

- Specify model and color
- Optional Accessories:
 Corner Bracket (LCMB2)
 Wall Bracket (LWMB2)
 Hazardous Location Mounting Bracket (LHWB)

REPLACEMENT PARTS

<i>Description</i>	<i>Part Number</i>
Dome, Amber	K8444D219C-03
Dome, Blue	K8444D219C-01
Dome, Clear	K8444D219C-04
Dome, Green	K8444D219C-02
Dome, Red	K8444D219C
Lamp	K149123A



MICROWATT
Making Safety Work

Tollfree in Western Canada: 1-888-388-1592
microwatt.com • mwsales@microwatt.com