



# Electraray® Hazardous Location Rotating Warning Light

Model 225X

## DESIGNED FOR USE IN HAZARDOUS LOCATIONS

- Available in 120VAC
- Five dome colors
- 25 watt incandescent lamp
- 1/2-inch NPT pipe mount
- Indoor/outdoor use
- Type 4X, IP66 enclosure
- UL and cUL Listed

The Federal Signal Electraray® Model 225X is a compact, economical rotating warning light designed for a variety of industrial applications. This innovative dome design, allows quick and easy access for inspection and relamping.

The Electraray 225X features a silicone rubber gasket that provides a water-resistant seal between the dome and the black poly-coated base. The injection molded reflector rotates around a 25 watt lamp producing 90 flashes per minute. It is available in five dome colors (Amber, Blue, Clear, Green and Red) and is UL listed for Class I, Division 2, Group A, B, C and D; Class II, Division 2, Groups F and G; and Class III. The Electraray 225X is ready to mount on a 1/2" NPT pipe.

The Electraray 225X design makes it a good choice for a multitude of indoor and outdoor applications. It is designed for permanent mounting where 120VAC, 50/60Hz is available. This particular light provides an effective means of supplementing audible signaling devices in hazardous environments.

Federal Signal's affordable Electraray rotating warning light is specifically designed for use in hazardous locations or where corrosive materials are present.

Model	Voltage	Operating Current	Flash Rate/Minute	Candela	Mount
225X-120 *	120VAC 50/60Hz	0.220 amps	90	1,000	1/2" NPT Pipe

\* Indicates color: (A) Amber, (B) Blue, (C) Clear, (G) Green or (R) Red

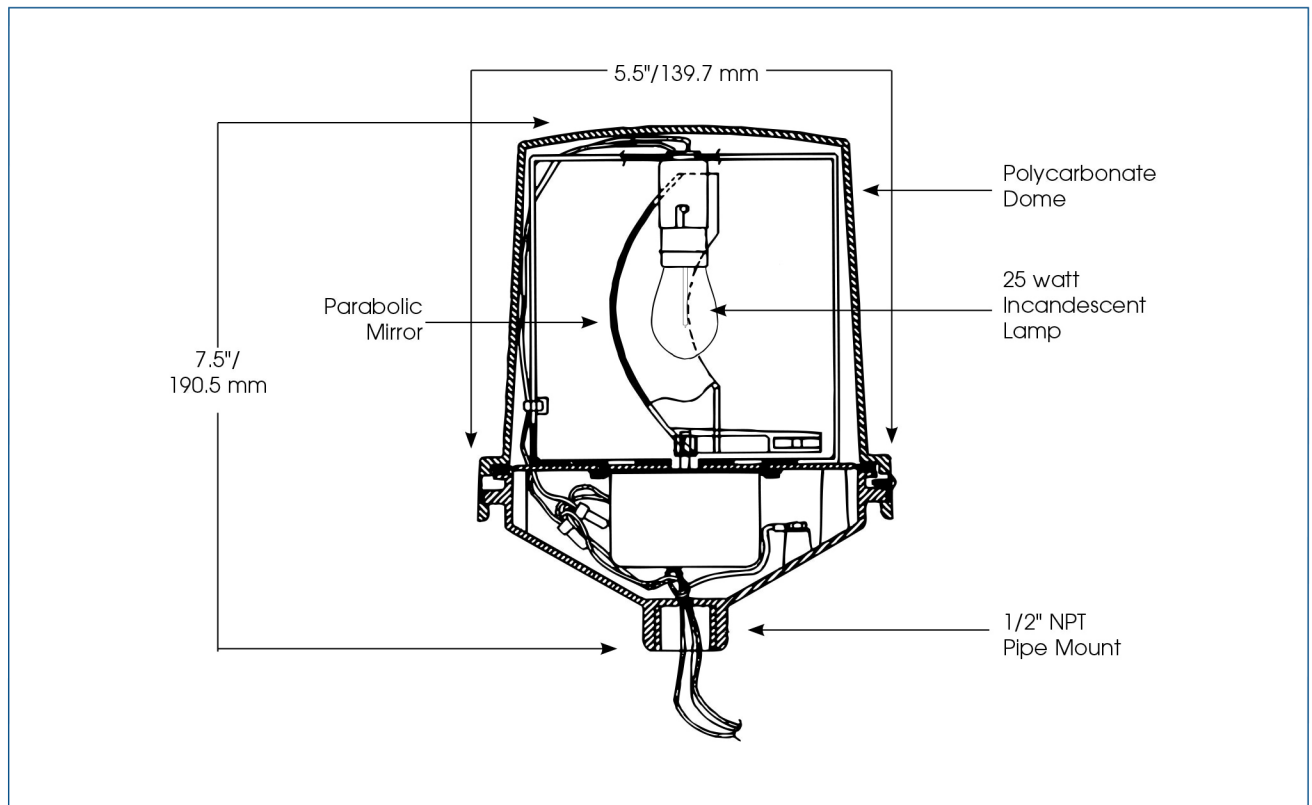
## Hazardous Location Rating:

T-Code at Maximum Ambient Temperature, °C	Hazardous Location	66°C
---	--------------------	------

Class I, Div 2, Groups A, B, C, D	T2B/260°
Class II, Div 2, Groups F, G	T5/100°
Class III	T5/100°



## ELECTRARAY® HAZARDOUS LOCATION WARNING LIGHT (225X)



### SPECIFICATIONS

Lamp Life:	1,000 Hours	1,000 Hours
Light Source:	Incandescent	Incandescent
Operating Temperature:	-40°F to 104°F	-40°C to 40°C
Net Weight:	2.0 lbs.	0.9 kg
Shipping Weight:	2.7 lbs.	1.2 kg
Height:	7.5"	190.5 mm
Diameter:	5.5"	139.7 mm

### REPLACEMENT PARTS

<i>Description</i>	<i>Part Number</i>
Dome, Amber	K8444D219C-03
Dome, Blue	K8444D219C-01
Dome, Clear	K8444D219C-04
Dome, Green	K8444D219C-02
Dome, Red	K8444D219C
Lamp, 120VAC	K149123A

### HOW TO ORDER

- Specify model and color
- Optional Accessories:  
Hazardous Location Mounting  
Bracket (LHWB)



**MICROWATT**  
Making Safety Work

Tollfree in Western Canada: 1-888-388-1592  
microwatt.com • mwsales@microwatt.com