



# Flashing LED Hazardous Location Warning Light with XLT™

Model 191XL

## RUGGED DESIGN FOR USE IN HAZARDOUS LOCATIONS

- XLT™ Technology
- Available in 24VAC/DC, 120-240VAC and 277VAC
- Five lamp/lens colors
- Flashing mode standard, configurable to Steady-burn
- 60,000 hour, vibration resistant LED lamp
- Available in 3/4-inch NPT pipe mount or surface mount
- Dome guard included
- Type 4X, IP66 enclosure, Marine Listed
- UL and cUL Listed

The model 191XL is a hazardous location flashing signal light that features the super bright LED array with XLT™, eXtreme Light Technology. The unit is available in 24VAC/DC, 120VAC or 240VAC and five colors: Amber, Blue, Clear, Green, and Red. The 191XL comes standard in flashing mode and is field configurable to steady burn mode for maximum functionality.

The Model 191XL has been certified by UL as meeting Type 4X water-tight and corrosion-resistant requirements, and IP66 rated. This hazardous location warning light has an aluminum base, coated for corrosion-resistance, that can be ordered. A dome guard fits over the glass dome to protect it against accidental collision with moving equipment, such as a forklift.

Federal Signal's super bright LED array used in the 191XL produces intense light output and 60,000 hours of service. Increased shock and vibration resistance add to this unit's rugged industrial portfolio of features.

The 191XL is UL Listed for Class I, Division 2, Groups A, B, C and D; Class II Division 1, Groups E, F and G; and Class III.

Model	Voltage	Operating Current	In-rush Current	Flash Rate/Minute	Mount
191XL-*024**	24VAC/DC	0.40 amps	1.75 amps, 5.0 mS	60	3/4" NPT Pipe
191XL-*120-240**	120/240VAC	0.21/0.13 amps	2.0 amps, 0.25 mS	60	3/4" NPT Pipe
191XL-*277**	277VAC	0.13 amps	9.75 amps, 0.25mS	60	3/4" NPT Pipe

\* Include (S) for Surface Mount Option (Example part number: 191XL-S024R for surface mount option, 191XL-024R for pipe mount)

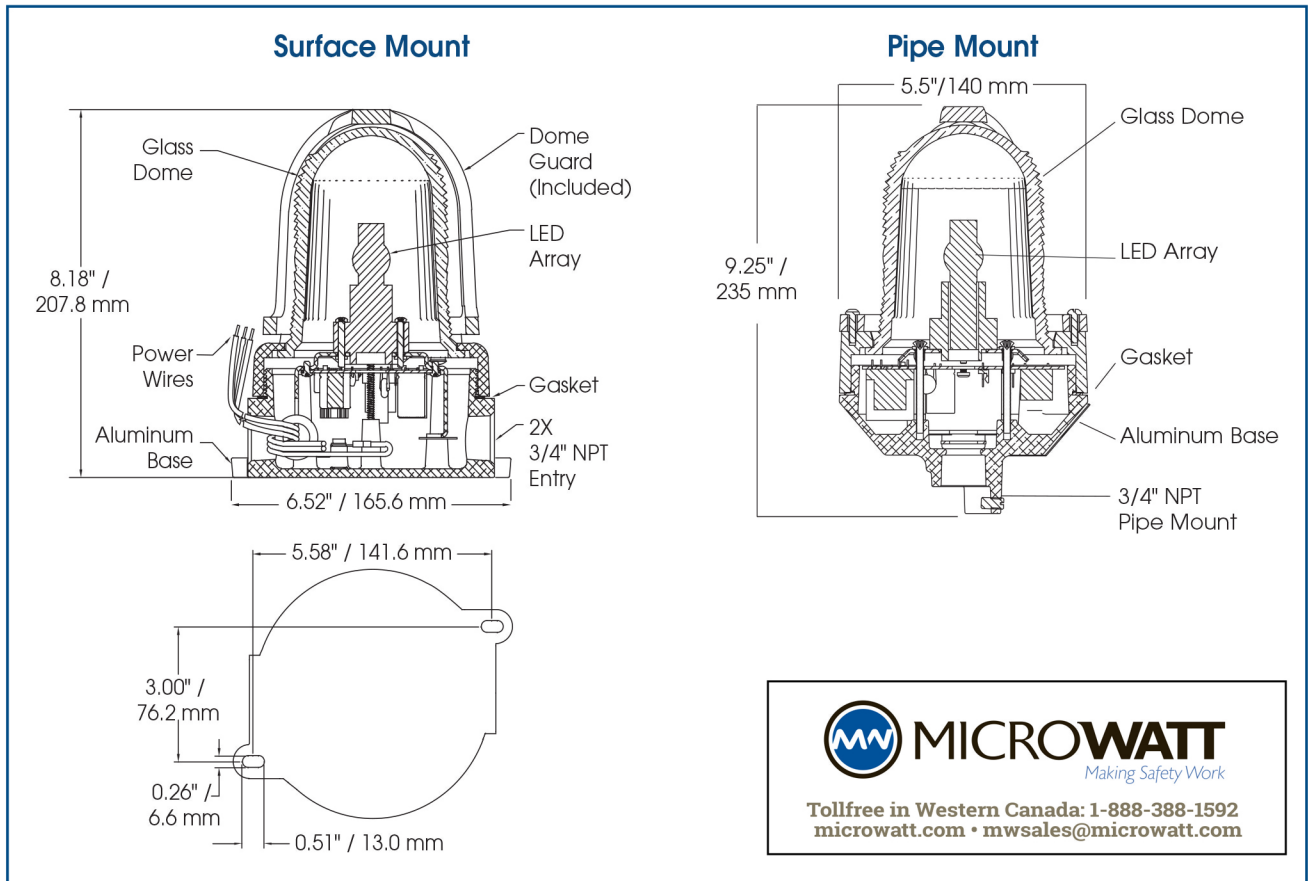
\*\* Indicates color: (A) Amber, (B) Blue, (C) Clear, (G) Green or (R) Red



## Hazardous Location Rating:

Hazardous Location	T-Code at Maximum Ambient Temperature, °C								
	40°C			55°C			66°C		
	24V	100-265VAC	277VAC	24V	100-265VAC	277VAC	24V	100-265VAC	277VAC
Class I, Div 2, Groups A, B, C, D	T6	T6	T5	T5	T5	T5	T4A	T4A	T5
Class II, Div 1, Groups E, F and G	T6	T6	T5	T6	T6	T5	T6	T6	T5
Class III	T6	T6	T5	T6	T6	T5	T6	T6	T5

## HAZARDOUS LOCATION LED WARNING LIGHT (191XL)



### SPECIFICATIONS

Lamp Life:	60,000 Hours	60,000 Hours
Light Source:	LED Array	LED Array
Operating Temperature:	-58°F to 150°F	-50°C to 66°C
Net Weight:	4.0 lbs.	1.82 kg
Shipping Weight:	4.25 lbs.	1.93 kg
Height (with Dome Guard):	9.25"	235.0 mm
Diameter:	5.5"	140.0 mm

### HOW TO ORDER

- Specify model, mount, voltage, and color
- Optional Accessories:  
Hazardous Location Mounting Bracket (LHWB)

### REPLACEMENT PARTS

<u>Description</u>	<u>Part Number</u>	<u>Dome and Ring Assembly</u>	<u>Part Number</u>
LED array, Amber	K14700030A-A	Glass Dome/Ring Assembly, Amber <sup>1</sup>	K8449078C-01
LED array, Blue	K14700030A-B	Glass Dome/Ring Assembly, Blue <sup>1</sup>	K8449078C-06
LED array, Clear	K14700030A-W	Glass Dome/Ring Assembly, Clear <sup>1</sup>	K8449078C-04
LED array, Green	K14700030A-G	Glass Dome/Ring Assembly, Green <sup>1</sup>	K8449078C-07
LED array, Red	K14700030A-R	Glass Dome/Ring Assembly, Red <sup>1</sup>	K8449078C
PC Board Assembly, 24VDC	K2005455A	Guard, Dome	K8449090B
PC Board Assembly, 120/240VAC	K2005416A		
PC Board Assembly, 277VAC	K2005416A-01		

<sup>1</sup> Assembly includes a gasket