

Hazardous Location Warning Light

Model 151XST



RUGGED DESIGN FOR USE IN HAZARDOUS LOCATIONS

- Available in 12-24VDC, 120VAC and 240VAC
- Six dome colors
- 10,000-hour high-intensity strobe
- Available in 3/4-inch NPT pipe mount or surface mount
- Dome guard included
- Indoor/outdoor use
- Type 4X, IP66 enclosure
- Marine rated
- UL and cUL Listed

Federal Signal's Model 151XST hazardous location strobe light provides 80 high-intensity flashes per minute. This warning light is available in 12-24VDC, 120VAC and 240VAC, 50/60Hz.

The Model 151XST strobe light is UL Listed and CSA Certified for Class I, Division 2, Groups A, B, C and D; Class II, Division 1, Groups E, F and G; and Class III.

The 151XST meets Type 4X water-tight, dust-tight, and corrosion-resistant requirements and is constructed to IP66. This hazardous location warning light has an aluminum base, coated for corrosion-resistance, that can be ordered for mounting on a 3/4-inch NPT pipe or a surface. The Dome Guard (included) fits over the glass dome to protect it against accidental collision with moving equipment, such as forklifts.

The 151XST produces 165 effective candela (ECP) and 520,000 peak candela. It is available in five dome colors including Amber, Blue, Clear, Green, Magenta and Red.

Federal Signal's rugged 151XST strobe warning light is specifically designed for hazardous locations or corrosive environments where a very bright visual signal is required. This warning light can be used for plant evacuation or other communication needs.

Model	Voltage	Operating Current	Flash Rate/Minute	Candela Peak ¹	ECP ²	Mount
151XST- <u>*012-024</u> -**	12-24VDC	1.3-0.60 amps	80	520,000	165	3/4" NPT Pipe
151XST- <u>*120</u> -**	120VAC 50/60Hz	0.35 amps	80	520,000	165	3/4" NPT Pipe
151XST- <u>*240</u> -**	240VAC 50/60Hz	0.18 amps	80	520,000	165	3/4" NPT Pipe

Hazardous Location Rating:

T-Code at Maximum Ambient Temperature, °C	Hazardous Location	66°C
Class I, Div 2, Groups A, B, C & D		T1/301°
Class II, Div 1, Groups E, F & G		T5/100°
Class III		T5/100°

* Include (S) for Surface Mount Option (Example part number: 151XST-S120R for surface mount option, 151XST-120R for pipe mount)

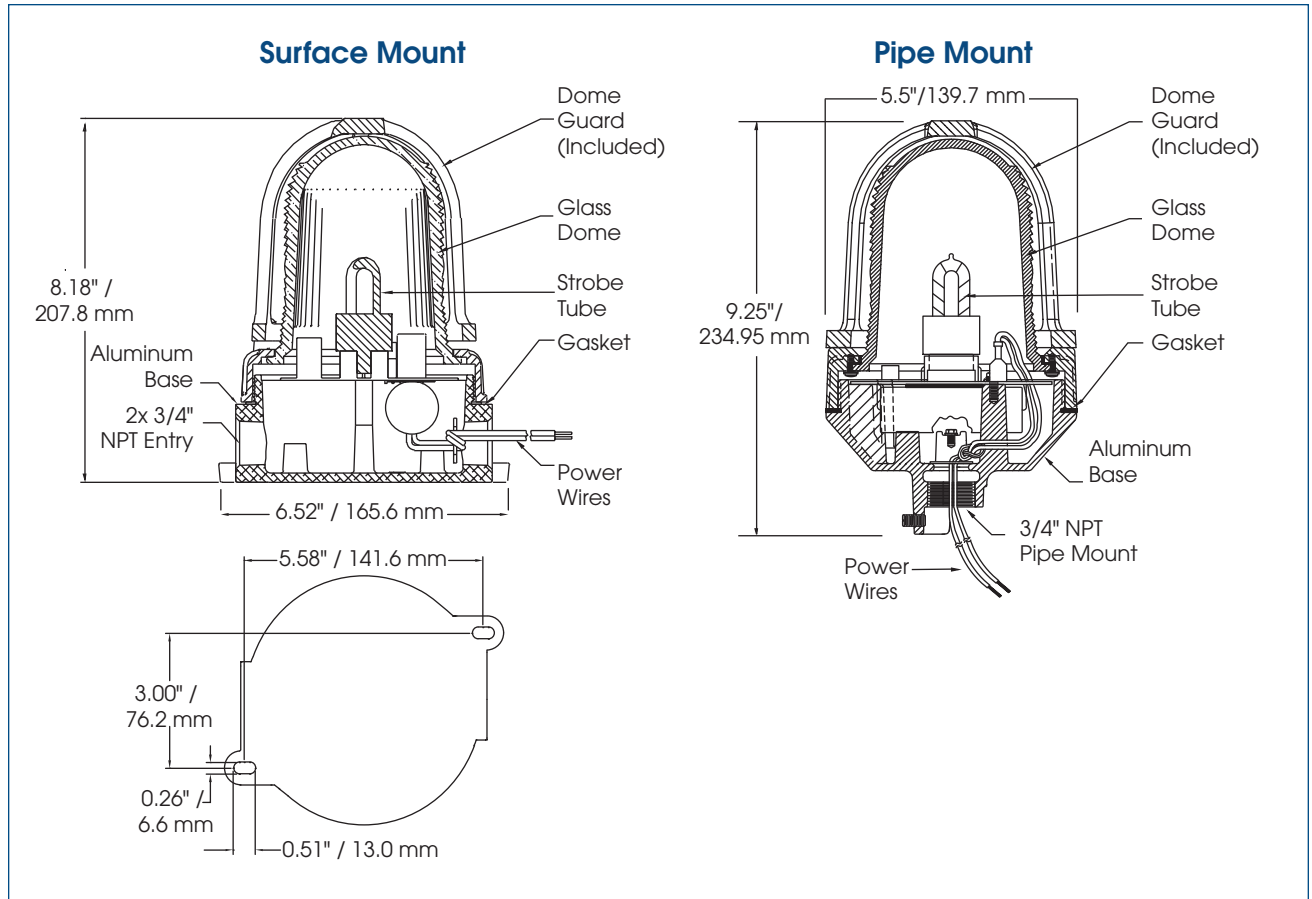
** Indicates color: (A) Amber, (B) Blue, (C) Clear, (G) Green, (M) Magenta or (R) Red

¹ Peak candela is the maximum light intensity generated by a flashing light during its light pulse

² ECP (Effective Candela) is the intensity that would appear to an observer if the light were burning steadily



HAZARDOUS LOCATION STROBE LIGHT (151XST)



SPECIFICATIONS

Lamp Life:	10,000 Hours	10,000 Hours
Light Source:	Strobe tube	Strobe tube
Operating Temperature:	-67°F to 150°F	-55°C to 66°C
Net Weight:	3.8 lbs.	1.7 kg
Shipping Weight:	4.5 lbs.	2.0 kg
Height:	9.25"	234.95 mm
Diameter:	5.5"	139.7 mm

HOW TO ORDER

- Specify model, mount, voltage and color
- Optional Accessories:
Hazardous Location Mounting Bracket (LHWB)



REPLACEMENT PARTS

<u>Description</u>	<u>Part Number</u>	<u>Description</u>	<u>Part Number</u>
Series C Dome and Ring Assembly		PC Assembly, 12-24VDC	K2001173A
Dome and Ring Assembly, Amber ¹	K8449078C-01	PC Assembly, 120VAC	K2001071B
Dome and Ring Assembly, Blue ¹	K8449078C-06	PC Assembly, 240VAC	K2001071B-01
Dome and Ring Assembly, Clear ¹	K8449078C-04	Strobe Tube	K149122B
Dome and Ring Assembly, Green ¹	K8449078C-07	Guard	K8449090B
Dome and Ring Assembly, Magenta ¹	K8449078C-05		
Dome and Ring Assembly, Red ¹	K8449078C		

¹ Includes dome gasket