



AST - 14 PENDANT MOUNT HAZARDOUS AREA STROBE WARNING LIGHT

COMPLIANCES:

- Class I - Div. 2, Groups A,B,C,D
- Class II - Groups E,F,G
- Class III - Enclosure 3
- Temp Code: See Electrical Ratings
- CSA# - LR56828-2
- ** Type 3 and/or 4X (where applicable)

APPLICATIONS:

- to visually indicate warnings or hazards in high noise level areas where audible signals may not be heard
- to indicate the starting and stopping of operations in a manufacturing environment
- to indicate faulty equipment

FEATURES:

- solid state power supply
- low power consumption (12 watts)
- intensity 2,000,000 candlepower (peak)
- Polycarbonate fresnel lens
- cast zinc alloy housing with a grey epoxy finish for superior corrosion resistance
- may be operated in any position
- designed for intermittent visual signalling as well as longer duration signalling applications
- lens sealed in guard
- flash rate - 60 flashes/minute - alternate flash rate available
- flash tube life - minimum 10 million flashes at 60 flashes/minute
- 3/4" conduit entry
- weatherproof

* New - 55°C starting and operating temperature

Note: Performance tested to start and operate at - 55° C



LISTED
15UD

Visual Signal Appliance, Fire Alarm for Use in Hazardous Locations

15 - 30 VDC input - 4 wire Clear Lens Only



Made in Canada



Applied Strobe Technology Company Limited INDUSTRIAL STROBE WARNING LIGHTS

8345 Stanley Avenue, Niagara Falls, Ontario, Canada L2E 6X8 905-374-3077, Fax 905-374-6114

U.S. Address: 2315 Whirlpool St., Suite #182, Niagara Falls, NY 14305

Sales: sales@appliedstrobe.com , Tech support: support@appliedstrobe.com

www.appliedstrobe.com

Operating Temperature Range

-40 C to +85 C (AST-14-S)

-55 C to +85 C (AST-14-L)

Electrical Ratings

Supply Voltage Range	Frequency	Current Range (avg)	Inrush Current (max)	T Code @ 40° C	T Code @ 85° C
90 to 130 VAC	50/60Hz	.118 A to .090 A	.250 A	T3C	T3
220 to 250 VAC	50/60Hz	.072 A to .055 A	.220 A	T3A	T2C
10 to 30 VDC	-	.8 A to .4 A	1.30 A	T3A	T2C
50 to 60 VDC	-	.360 A to .300 A	.820 A	T2D	T2B
90 to 130VDC	-	.175 A to .090 A	.250 A	T3C	T3
220 to 250VDC	-	.070 A to .055 A	.220 A	T3A	T2C
15 to 30 VDC	-	.8 A to .4 A	1.30 A	T3A	T2C

Net Weight: 4.5 lbs

Ordering Information

Model No	Input Voltage
AST-14- * -90-130-AC	90 - 130 VAC
AST-14- * -220-250-AC	220 - 250 VAC
AST-14- * -10-30-DC	10 - 30 VDC
AST-14- * -90-130-DC	90 - 130 VDC
AST-14- * -220-250-DC	220 - 250 VDC
AST-14- * -50-60-DC	50 - 60 VDC
AST-14- L -15-30-DC	15 - 30 VDC

NOTE: * - **S** for standard temperature range and - **L** for low temperature range

Lens Colors

AM - Amber Lens
 BL - Blue Lens
 RE - Red Lens
 GR - Green Lens
 CL - Clear Lens
 PU - Purple Lens

Ordering Example

AST-14-S-10-30-DC-RE

ULC Approved

AST-14-L-15-30-DC-CL-ULC

Replacement Parts

Circuit Board

AST-14- * -90-130-AC -Board	90 - 130 VAC	Circuit Board
AST-14- * -220-250-AC -Board	220 - 250 VAC	Circuit Board
AST-14- * -10-30-DC -Board	10 - 30 VDC	Circuit Board
AST-14- * -90-130-DC -Board	90 - 130 VDC	Circuit Board
AST-14- * -220-250-DC -Board	220 - 250 VDC	Circuit Board
AST-14- * -50-60-DC -Board	50 - 60 VDC	Circuit Board
AST-14-L-15-30-DC -Board -ULC	15 - 30 VDC	4 wire Circuit Board

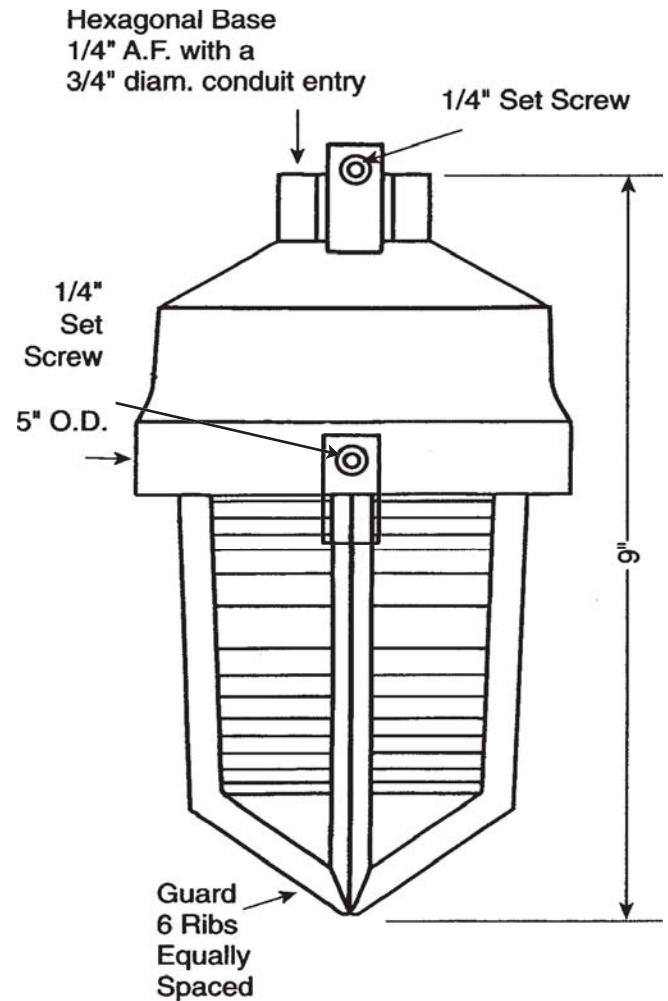
NOTE: * - **S** for standard temperature range and - **L** for low temperature range

Flash Tube

AST-FT 3050 Flash Tube

Lenses

AST-14-Guard-Lens-RE	Red Lens
AST-14-Guard-Lens-AM	Amber Lens
AST-14-Guard-Lens-BL	Blue Lens
AST-14-Guard-Lens-GR	Green Lens
AST-14-Guard-Lens-CL	Clear Lens
AST-14-Guard-Lens-PU	Purple Lens



Tollfree in Western Canada: 1-888-388-1592
 microwatt.com • mwsales@microwatt.com

PENDANT MOUNT HAZARDOUS AREA STROBE